



Rosyth School
Term Assessment 2023 (Term 2)
MATHEMATICS
Primary 6
Paper 1

Name : _____ ()

Class : Pr 6 _____

Date : 12 May 2023

Parent's Signature: _____

Total Time for Booklets A and B : 25 min

Booklet A

Instructions to Pupils:

1. Do not turn over this page until you are told to do so.
2. Follow all instructions carefully.
3. Answer all questions.
4. Use a dark blue or black ballpoint pen to write your answers in the bracket provided for each question.
5. Do not use correction fluid/tape or highlighters.
6. The use of a calculator is not allowed.

Questions	Maximum Mark	Marks Obtained
Q 1 – 5	5	

* This paper consists of 3 printed pages altogether (including the cover page).

Questions 1 to 5 carry 1 mark each. For each question, four options are given. One of them is the correct answer. Make your choice (1, 2, 3 or 4) and write your answer in the brackets provided.

All diagrams in this paper are not drawn to scale unless stated otherwise.

(5 marks)

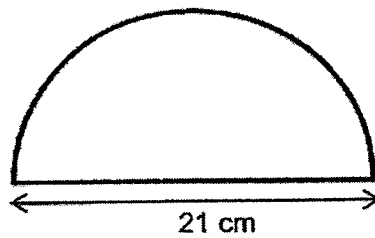
1. Which of the following is equivalent to $\frac{3}{5}$?

- (1) 0.6
- (2) 0.06
- (3) 0.006
- (4) 6

()

2. The figure shows a semicircle with a diameter of 21 cm.

What is the perimeter of the semicircle? (Take $\pi = \frac{22}{7}$)



- (1) 33 cm
- (2) 54 cm
- (3) 66 cm
- (4) 87 cm

()

3. John took 20 minutes to drive from home to the library at an average speed of 30 km/h. What was the distance he travelled?

- (1) 1.5 km
(2) 10 km
(3) 20 km
(4) 60 km

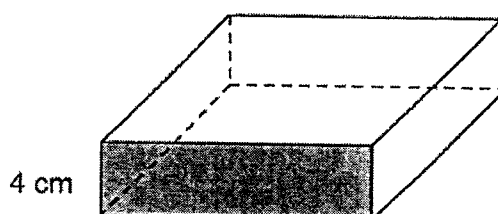
()

4. Simplify $15c + 13 - 7c - 8$.

- (1) $22c + 5$
(2) $22c - 5$
(3) $8c - 5$
(4) $8c + 5$

()

5. The figure shows a cuboid with a square base and a height of 4 cm. The area of the shaded face is 32 cm^2 . What is the volume of the cuboid?



- (1) 48 cm^3
(2) 64 cm^3
(3) 256 cm^3
(4) 512 cm^3

()

Go on to Booklet B



Rosyth School
Term Assessment 2023 (Term 2)
MATHEMATICS
Primary 6
Paper 1

Name : _____ ()

Class : Pr 6 _____

Date : 12 May 2023 Parent's Signature: _____

Total Time for Booklets A and B : 25 min

Booklet B

Instructions to Pupils:

1. Do not turn over this page until you are told to do so.
2. Follow all instructions carefully.
3. Answer all questions.
4. Use a dark blue or black ballpoint pen to write your answers in the space provided for each question.
5. Do not use correction fluid/tape or highlighters.
6. The use of a calculator is not allowed.

Questions	Maximum Mark	Marks Obtained
Q 6 – 14	15	

* This paper consists of 5 printed pages altogether (including the cover page).

Questions 6 to 8 carry 1 mark each. Questions 9 to 14 carry 2 marks each. Show your workings clearly in the space provided for each question and write your answers in the spaces provided. For questions which require units, give your answers in the units stated.

Do not write
in this space

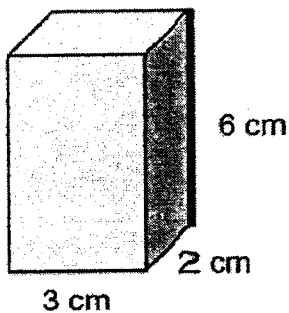
All diagrams in this paper are not drawn to scale unless stated otherwise.
(15 marks)

6. Which of the following fractions has the smallest value?

$$\frac{3}{9}, \frac{3}{7}, \frac{3}{11}, \frac{3}{5}$$

Ans: _____

7. Ravi had a rectangular tank 3 cm by 2 cm by 6 cm. He painted all the faces of the block except for the base. What is the total painted area?

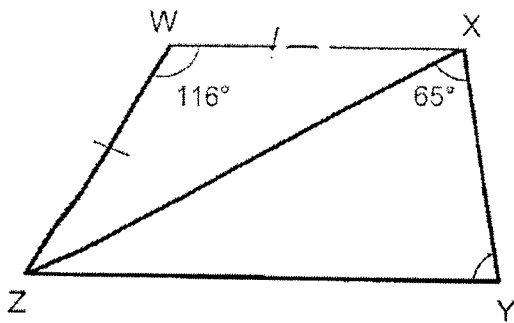


Ans: _____ cm²

8. Find the value of $9k - 2$ when $k = 2$.

Ans: _____

9. The figure below shows a trapezium $WXYZ$. WX is parallel to ZY . WXZ is an isosceles triangle. Find $\angle XYZ$.



Do not write
in this space

Ans: _____^o

10. The ratio of the number of sweets Clark has to the number of sweets Daniel has is $5 : 9$. After each of them bought 8 more sweets, their ratio becomes $3 : 5$. Find the number of sweets Clark has now.

Ans: _____

11. Danial, Eric and Francis share some money. Danial has \$4 more than Eric and Francis has \$5p more than Eric. If Eric has \$4p, how much money do they have altogether?

Do not write
in this space

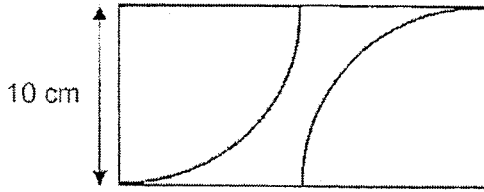
Ans: \$ _____

12. There were 2 more boys than girls at a party. Each boy was given 3 sweets and each girl was given 4 sweets. A total of 62 sweets was given out in the party. How many girls were there at the party?

Ans: _____

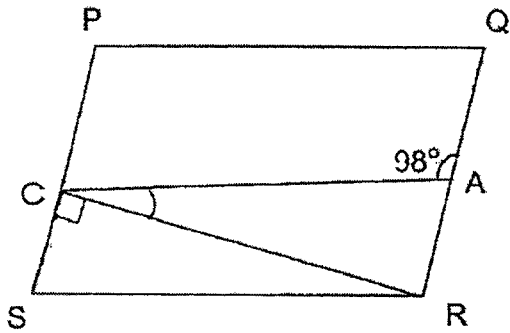
13. The figure shows a rectangle with two identical quarter circles. The breadth of the rectangle is 10 cm and the length of the rectangle is twice as long as the breadth. What is the total area of the unshaded parts?
Give your answer in terms of π .

Do not write
in this space



Ans: _____ cm²

14. PQRS is a parallelogram. $\angle QAC = 98^\circ$ and $\angle SCR$ is a right angle. Find $\angle ACR$.



Ans: _____ °



Rosyth School
Term Assessment 2023 (Term 2)
MATHEMATICS
Primary 6

Name: _____ ()

Class: Pr 6 _____

Date: 12 May 2023

Parent's Signature: _____

Time: 35 min

PAPER 2

Instructions to Pupils:

1. Do not turn over this page until you are told to do so.
2. Follow all instructions carefully.
3. Answer all questions.
4. Use a dark blue or black ballpoint pen to write your answers in the space provided for each question.
5. Do not use correction fluid/tape or highlighters.
6. The use of an approved calculator is allowed.

Questions	Maximum Mark	Marks Obtained
Q 15 to 20	20	

Section	Maximum Mark	Marks Obtained
Paper 1	20	
Paper 2	20	
Total	40	

* This booklet consists of **6 printed pages** altogether (including this cover page).

For Questions 15 to 20, show your working clearly in the space provided for each question and write your answers in the spaces provided. The number of marks available is shown in brackets [] at the end of each question or part-question. For questions which require units, give your answers in the units stated.

All diagrams in this paper are not drawn to scale unless stated otherwise.
(20 marks)

15. Ahmad receives the same amount of allowance every week. He spent \$680 of his allowance and saved the rest. When he increased his spending by 30%, his savings decreased by 20%. How much was his allowance?

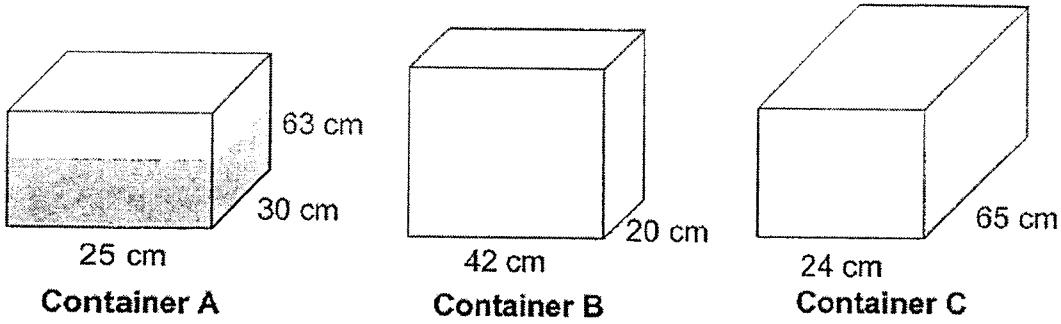
Ans: \$ _____ [2]

-
16. Raja and Muthu had a total of \$402.60. Raja spent 75% of his money and Muthu spent 50% of his money. In the end, Muthu and Raja had the same amount of money left. How much money did they spend altogether?

Ans: _____ [3]

17. Mark has 3 containers. $\frac{3}{5}$ of Container A is filled with water. Container B and Container C are empty. Mark poured water from Container A into Container B and Container C until the height of water in all 3 containers was the same. How much water was in Container C in the end?

Do not write in this space

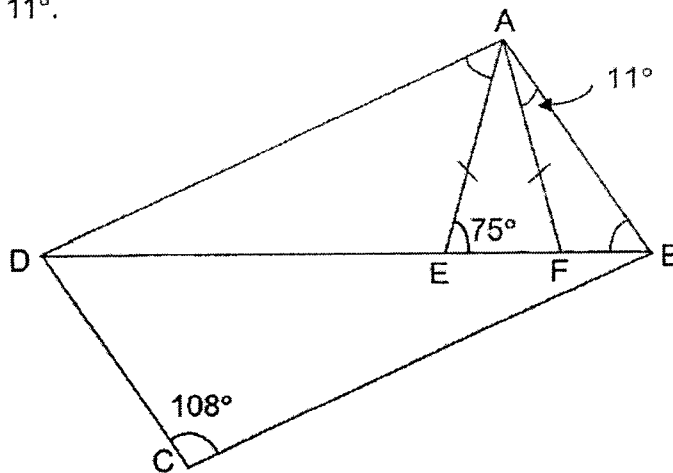


Ans: _____ [4]



18. In the figure below, ABCD is a parallelogram and AEF is an isosceles triangle. DEF is a straight line. $\angle DCB = 108^\circ$, $\angle AEF = 75^\circ$ and $\angle FAB = 11^\circ$.

Do not write
in this space



- (a) Find $\angle ABF$.

Ans: (a) _____ [2]

- (b) Find $\angle DAE$.

Ans: (b) _____ [2]



19. Study the pattern below.

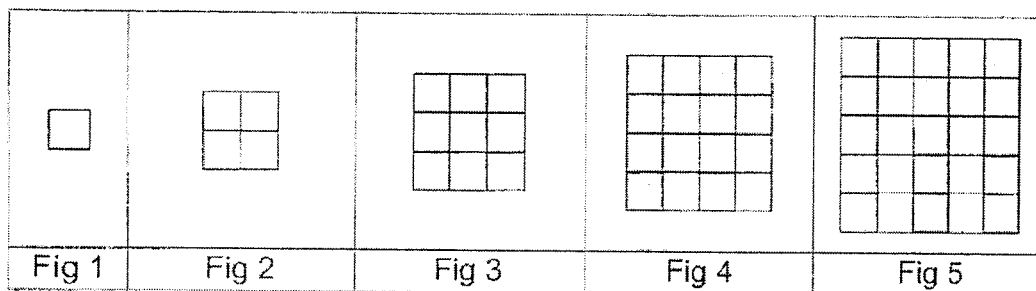


Figure Number	Number of shaded squares	Number of unshaded squares	Total number of squares
1	1	0	1
2	2	2	4
3	6	3	9
4	8	8	16
5	15	10	25

(a) Find the total number of squares in Figure 8.

Ans: (a) _____ [1]

(b) How many unshaded squares are there in Figure 84?

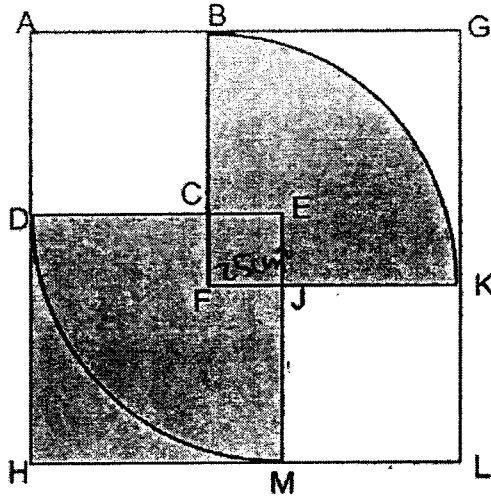
Ans: (b) _____ [2]

Do not write
in this space



20. The design below is made up of 2 identical quadrants, two identical squares ABCD and JKLM, and a small square CEJF. The area of square CEJF is 25 cm^2 and the radius of the quadrants is 18 cm. Find the area of the shaded parts. (Take $\pi = 3.14$)

Do not write
in this space



Ans: _____ [4]



SCHOOL : rosyth SCHOOL
 LEVEL : PRIMARY 6
 SUBJECT : MATH
 TERM : WA2 2023

Q1	Q2	Q3	Q4	Q5
1	2	2	4	3

Q6)	$\frac{3}{11}$
Q7)	66cm ²
Q8)	16
Q9)	83°
Q10)	48
Q11)	\$(17p+4)
Q12)	8
Q13)	(200 - 50πcm ²)
Q14)	8
Q15)	30% spending --- $30\% \times 680 = 204$ 10% spending --- $204 \div 3 = 68$ 100% spending --- $68 \times 10 = 680$ 20% saving --- 204 100% saving --- $204 \times 5 = 1020$ Allowance --- $1020 + 680 = \$1700$

Q16) $6u \text{ --- } 402.60$ $1u \text{ --- } 402.60 = 67.10$ $4u \text{ --- } 67.10 \times 4 = \268.40
Q17) 14040cm^3
Q18) a) 64° b) 67°
Q19) a) 64 3528
Q20) Area of DEMH --- $18 \times 18 = 324$ Area of quadrant --- $\frac{1}{4} \times 3.14 \times 18 \times 18 = 254.34$ Total --- $324 + 254.34 = 578.34$ $578.34 - 25 = 553.34\text{cm}^2$