

Name : _____ ()

Class: Primary 6 _____

CHIJ ST NICHOLAS GIRLS' SCHOOL



Primary 6

Continual Assessment 1 – 2008

**Mathematics
Booklet A**

25th February 2008

INSTRUCTIONS TO CANDIDATES

Duration of Paper: 2 hours 15 minutes

Do not open the booklet until you are told to do so.
Follow all instructions carefully.

Questions 1 to 10 carry 1 mark each. Questions 11 to 15 carry 2 marks each.

For each question, four options are given. One of them is the correct answer. Make your choice (1, 2, 3 or 4). Shade the correct oval (1, 2, 3 or 4) on the Optical Answer Sheet (OAS).

(20 marks)

1) Five million, five hundred and six thousand and sixteen written in numeral is _____

1) 5 005 016

2) 5 056 016

3) 5 506 016

4) 5 560 016

2) Round off 748 608 to the nearest thousand.

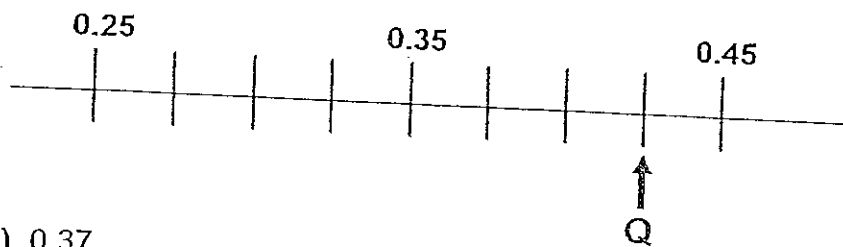
1) 748 000

2) 749 000

3) 750 000

4) 758 000

3) What is the value of Q?



1) 0.37

2) 0.375

3) 0.40

4) 0.425

4) What is the value of $3 - 1\frac{1}{10}$?

1) $1\frac{1}{10}$

2) $1\frac{9}{10}$

3) $2\frac{1}{10}$

4) $2\frac{9}{10}$

5) If $2\frac{1}{100}$ is equal to $10 \times \square$, what is the missing number?

1) 20.1

2) 2.01

3) 0.201

4) 0.021

6) The length of a string is 1.12 m shorter than the length of a ribbon. If the string is 28 cm, what is the ratio of the length of the string to the length of the ribbon?

1) 1 : 5

2) 1 : 6

3) 5 : 1

4) 6 : 1

7) The ratio of the mass of a chicken to the mass of a duck is 3 : 8. What fraction of the mass of the duck is the total mass of the duck and chicken?

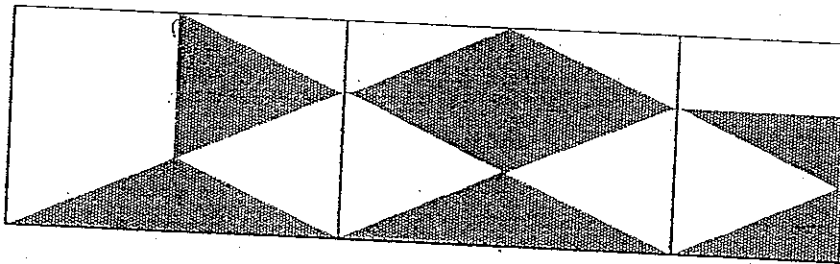
1) $\frac{11}{3}$

2) $\frac{11}{8}$

3) $\frac{8}{3}$

4) $\frac{3}{8}$

8) How many percent of the figure is shaded?



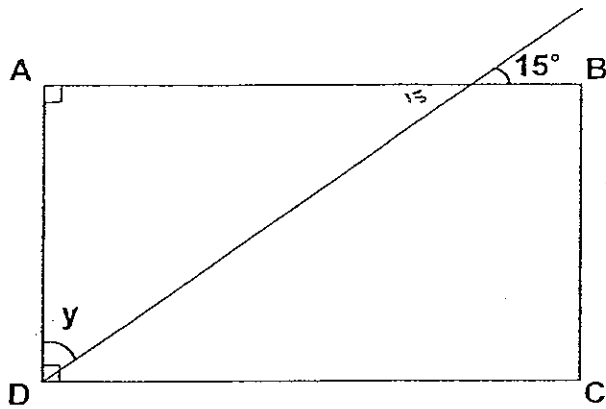
1) 6 %

2) 12 %

3) 40 %

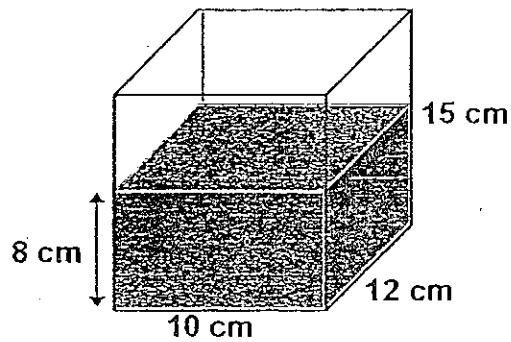
4) 80 %

9) The figure below is not drawn to scale. ABCD is a rectangle. Find $\angle y$.



- 1) 15°
- 2) 30°
- 3) 45°
- 4) 75°

10) The rectangular tank shown below is filled with water to a height of 8 cm. What is the volume of the water in the tank?



- 1) 960 cm^3
- 2) 1200 cm^3
- 3) 1440 cm^3
- 4) 1800 cm^3

11) Gopal had some stickers. He gave away 12 of them. Thereafter, he received another 15 stickers from his cousin. He put all the stickers equally into 8 packets. If each packet contained 13 stickers, how many stickers did he buy at first?

1) 131

2) 104

3) 101

4) 77

12) Mrs Wong gave $\frac{2}{5}$ of her cookies she baked to her neighbour. She kept half of the remainder in a container. What fraction of the cookies did she keep in the container?

1) $\frac{3}{10}$

2) $\frac{1}{10}$

3) $\frac{3}{5}$

4) $\frac{1}{2}$

13) Mr Mohan jogged from his house to the park. If he jogged 440 m which is $\frac{1}{7}$ of the total distance, what is $\frac{3}{4}$ of the total distance?

1) 0.77 km

2) 1.32 km

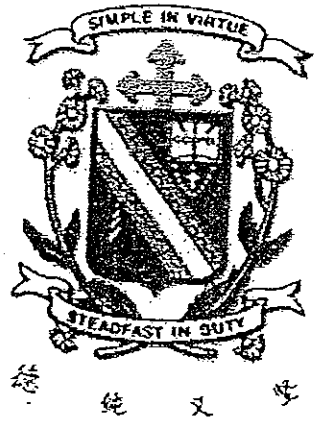
3) 2.31 km

4) 3.08 km

Name : _____ ()

Class: Primary 6 _____

CHIJ ST NICHOLAS GIRLS' SCHOOL



Primary 6

Continual Assessment 1 – 2008

**Mathematics
Booklet B**

25th February 2008

Parent's/Guardian's Signature

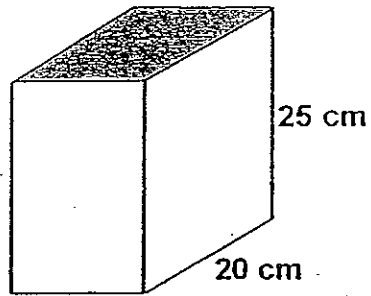
Booklet A	20
Booklet B	80
Total Marks	100

INSTRUCTIONS TO CANDIDATES

Duration of Paper: 2 hours 15 minutes

Do not open the booklet until you are told to do so.
Follow all instructions carefully.

- 14) The volume of the cuboid shown below is $6\,000\text{ cm}^3$. What is the area of the shaded part?



- 1) 240 cm^2
2) 300 cm^2
3) 500 cm^2
4) $5\,500\text{ cm}^2$
- 15) Ronda poured $\frac{3}{5}\ell$ of fruit juice equally into 4 glasses. How much fruit juice was in each glass? Leave your answer in $\text{m}\ell$.

- 1) $1000\text{ m}\ell$
2) $750\text{ m}\ell$
3) $600\text{ m}\ell$
4) $150\text{ m}\ell$

End of Booklet A

Questions 16 to 25 carry 1 mark each. For each question, write your answers in the spaces provided. Give your answers in the units stated.

Do not
write i
this sp:

(10 marks)

16) Find the value of $66 - 24 \div (4 + 2)$.

Ans : _____

17) Express $3\frac{2}{7}$ as a decimal. Leave the answer correct to 2 decimal places.

Ans : _____

18) A bottle is $\frac{8}{9}$ filled with vinegar. The vinegar is then poured into an empty container which has a volume 3 times that of the bottle. What fraction of the container is filled with vinegar?

Ans : _____



19) Express 90 km 50 m in kilometres.

Do not
write in
this space.

Ans : _____ km

20) Express $\frac{1}{5}$ % as a decimal.

Ans : _____

21) Sara joined a fitness club and paid a membership fee of \$75. After one year, the fitness club increased its membership fee by 5%. What is the new membership fee Sara has to pay?

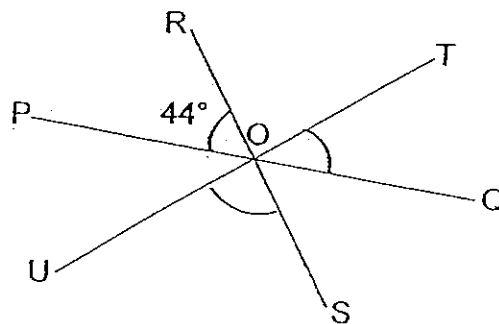
Ans : \$ _____

Do not write in this space

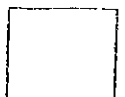
- 22) To prepare a drink, Kym mixed 450 ml of syrup with 1.5 l of water. Using the same proportion, how many litres of water does she need if she uses 1.8 l of syrup?

Ans : _____ l

- 23) In the figure below, PQ, RS and TU are straight lines. What is the sum of $\angle UOS$ and $\angle TOQ$?



Ans: _____ $^{\circ}$

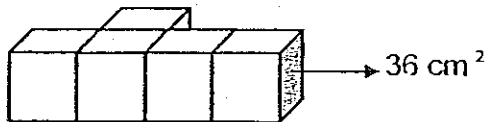


Do not
write in
this space

- 24) $\frac{1}{6}$ of the mass of a bed is equal to $\frac{2}{7}$ of the mass of a sofa. The mass of the bed is thrice the mass of the chair. Find the ratio of the mass of the bed to the mass of the sofa to the mass of the chair.

Ans : _____

- 25) The solid below is made up of identical cubes. The area of the shaded face is 36 cm^2 . What is the volume of the solid?



Ans : _____ cm^3

Do not
write in
this space

26 to 35 carry 2 marks each. Write your answers in the spaces provided.
Give your answers in the units stated.

(20 marks)

- 26) A shop sells 2 pieces of cakes for \$1 and 4 cream puffs for \$1. Aunt Jenny bought an equal number of cakes and cream puffs. If she paid \$12, how many pieces of cakes did she buy?

Ans : _____

- 27) Miss Tan paid \$19.20 for 4 files and 5 markers. A file costs \$1.20 more than a marker. What is the cost of one file?

Ans : \$ _____

- 28) For a charity fund raising project, Carol sold $\frac{2}{5}$ of her coupons and Velu sold $\frac{5}{6}$ of his coupons. Both of them had the same number of coupons left. Express the number of coupons Carol had at first as a percentage of the number of coupons sold by Velu.

Ans : _____ %



29) Emma has 22 identical cubes of edge 3 cm. How many more of such cubes does she need to fill a regular box measuring 16 cm by 10 cm by 12 cm completely?

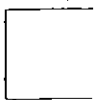
Ans : _____

30) In a class library, there are 84 books. 75% of the books are English books. Among these English books, $\frac{2}{3}$ are fiction books and the rest are non-fiction. What percentage of the books in the class are non-fiction English books?

Ans : _____ %

31) At a race, Beng Lee covered $\frac{5}{6}$ of the distance when Ken covered only $\frac{4}{9}$ of the distance. If the 2 runners were 13.3 m apart, how far was Beng Lee from the finishing point?

Ans : _____ m



Do not
write in
this spac

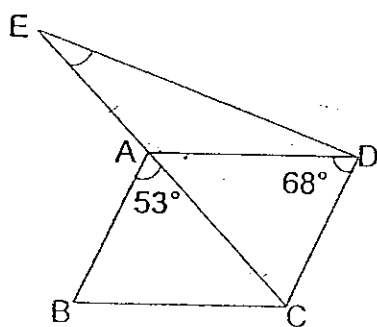
- 32) A wire of 140 cm long is bent into a rectangle. The ratio of its length and breadth is 2 : 5. Find the breadth of the rectangle.

Ans : _____ cm

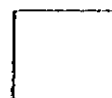
- 33) The ratio of Alexis' age to Tommy's age to Sandy's age is 5 : 8 : 4. If Tommy is 24 years old, what is the total age of the children in 3 years' time?

Ans : _____

- 34) ABCD is a parallelogram. AD = AE. Find $\angle AED$.

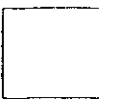
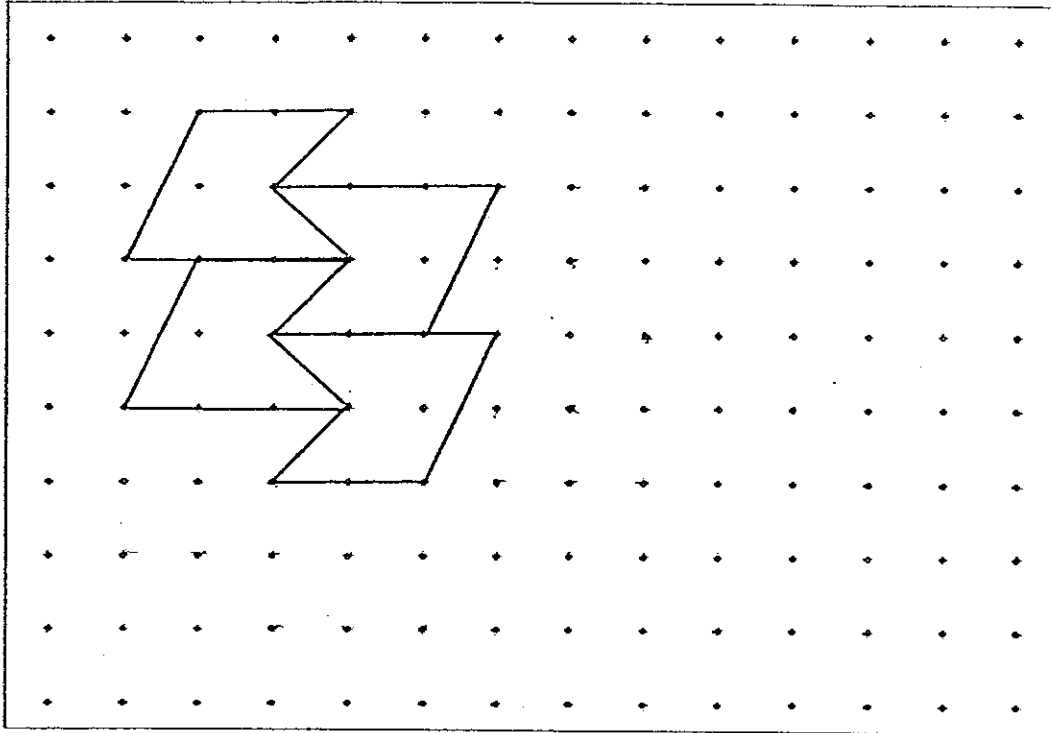


Ans : _____ °



35) The pattern in the box shows part of a tessellation. Extend the tessellation by drawing four more unit shapes in the space provided in the box.

Do not
write in
this space

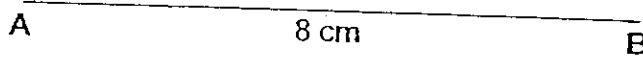


For questions 36 to 48, show your working clearly in the space below each question and write your answers in the space provided. The number of marks available is shown in the brackets () at the end of each question or part-question.

Do not write in this space

(50 marks)

- 36(a) In the space below, draw a triangle in which $AB = 8 \text{ cm}$, $BC = 5 \text{ cm}$ and $\angle ABC = 120^\circ$. The line AB has been drawn for you. (2 m)



- (b) Measure and write down the length of AC .

Ans : (b) _____ (1 m)

- 37) Mr Thomas bought 5 note books and 2 exercise books. Each note book cost twice as much as each exercise book. The total cost of a note book and an exercise book was \$2.40. How much did Mr Thomas pay altogether?

Ans : _____ (3 m)



- 38) The number of blue paper clips to the number of white paper clips in a box was 5 : 3. Ryan removed 24 blue paper clips and the ratio of the number of blue paper clips to the number of white paper clips became 7 : 9. Find the total number of paper clips left in the box.

Ans : _____ (3 m)

- 39) A cubical tank of edge 30 cm is completely filled with water. Tom accidentally poured away $\frac{3}{10}$ of the water. He then filled the tank up with another 7.25 l of water. Find the volume of the water in the tank now.

Ans : _____ (3 m)

- 40) $\frac{2}{5}$ of the pupils in a school are boys and the rest are girls. $\frac{1}{2}$ of the boys and $\frac{1}{2}$ of the girls wear glasses. What is the enrolment of the school if 430 pupils wear glasses?

Do not
write in
this spa

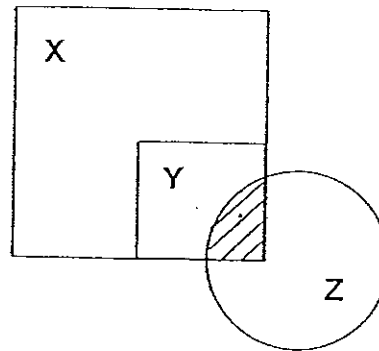
Ans : _____ (3 m)

-
- 41) Mrs Lee needed to tie two parcels. She used 78 cm of string for the first parcel and $\frac{2}{7}$ of the remaining string to tie the second parcel. If the length of the remaining string is equal to the total length of the string used, what is the length of the string she used to tie the two parcels?

Ans : _____ (3 m)



- 42) The figure below consists of 2 squares, X and Y, and a circle Z. The ratio of the area of X : Y : Z is 5 : 2 : 3. If $\frac{1}{6}$ of Y is shaded, what fraction of the figure is not shaded?

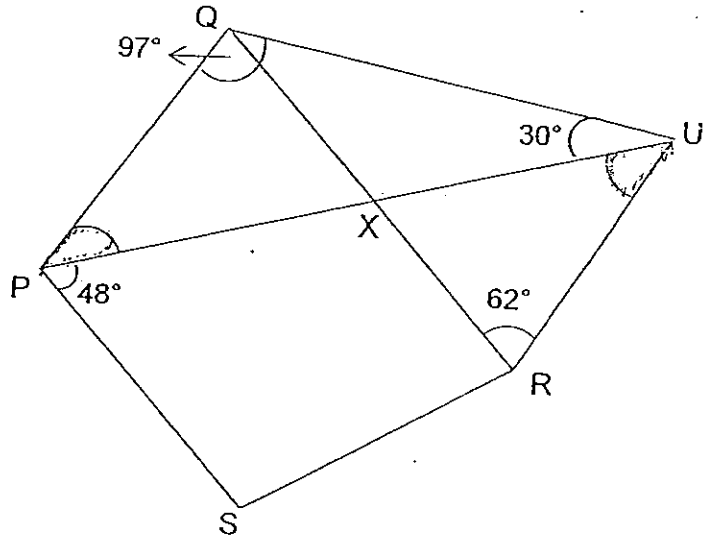


Ans : _____ (4 m)

43) In figure below, PQRS is a trapezium. Given that $\angle PQU = 97^\circ$, find

(a) $\angle QPU$

(b) $\angle PUR$



Do not
write in
this space

Ans : (a) _____ (1 m)

(b) _____ (3 m)



44) Mr Ong wants to buy a computer priced at \$1445. If Mr Ong makes a full payment, he will enjoy a discount of 8 %. If he pays by instalments, no discount will be given. He will then have to pay 10% of the selling price of the computer and 12 monthly instalments of \$120 each. How much does Mr Ong save if he were to pay in full instead of paying by instalments?

Do not
write in
this space.

Ans : _____ (4 m)

- 45) Miss Ng had a total of 72 pens and pencils. There were 16 more pens than pencils. She gave away 12 pens and bought some more pencils. She then found that the ratio of the number of pencils to the number of pens became 9 : 8. How many pencils did she buy?

Do not
write in
this space

Ans : _____ (5 m)



- 46) A rectangular container measuring 26 cm by 20 cm by 16 cm is $\frac{5}{8}$ filled with water. Some water from the container is poured into an empty pail. The volume of water left in the container is $\frac{1}{4}$ of its capacity when completely filled. What is the decrease in the height of the water level in the container?

Do not
write in
this space.

Ans : _____ (5 m)



Do not
write in
this space

47) The ratio of the number of strawberry sweets to mint sweets in box A is 4 : 5.
The ratio of the number of strawberry sweets to the number of mint sweets in
box B is 5 : 7. Box A has $1\frac{1}{4}$ times as many sweets as Box B.

- (a) Find the ratio of the number of strawberry sweets in Box A to the number of
strawberry sweets in Box B.
- (b) When 14 mint sweets are transferred from Box A to Box B, the ratio of the
number of strawberry sweets to the number of mint sweets in Box B became
9 : 13. What is the number of mint sweets in Box B after the transfer?

Ans : (a) _____ (1 m)

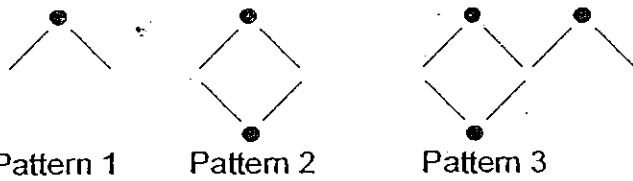
(b) _____ (4 m)



Do not write in this space

48) Some beads and matchsticks are arranged in the following pattern as shown below.

- (a) Complete the table to show the number of beads and matchsticks in pattern 6 and 7.
- (b) How many more matchsticks are there in pattern 99 than in pattern 88?
- (c) Find the total number of matchsticks needed to form pattern 1 to pattern 50.



Pattern	1	2	3	6	7
Beads	1	2	3		
Matchsticks	2	4	6		

(1 m)

Ans: (b) _____ (2 m)

(c) _____ (2 m)

----- End of Paper -----

ANSWER SHEET

EXAM PAPER 2008

SCHOOL : CHIJ PRIMARY SCHOOL
 SUBJECT : PRIMARY 6 MATHEMATICS

TERM : CA 1

Q1	Q2	Q3	Q4	Q5	Q6	Q7	Q8	Q9	Q10	Q11	Q12	Q13	Q14	Q15
3	2	4	2	3	1	2	3	4	1	3	1	3	1	4

16) 62

17) 3.29

18) $8/27$

19) 90.05km

20) 0.002

21) \$78.75

22) 6L

23) 136°

24) 12:7:4

25) 1080cm³

26) 16

27) \$2.80

28) $33\frac{1}{3}\%$

29) 130

30) 25%

31) 5.7m

32) 50cm

33) 60

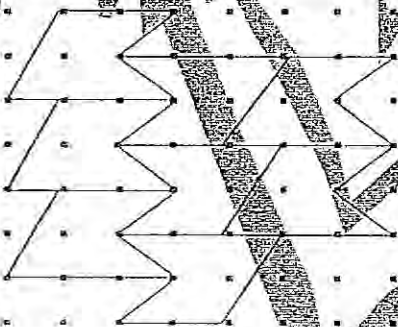
34) $180^\circ - 68^\circ - 53^\circ = 59^\circ$

$180^\circ - 59^\circ = 121^\circ$

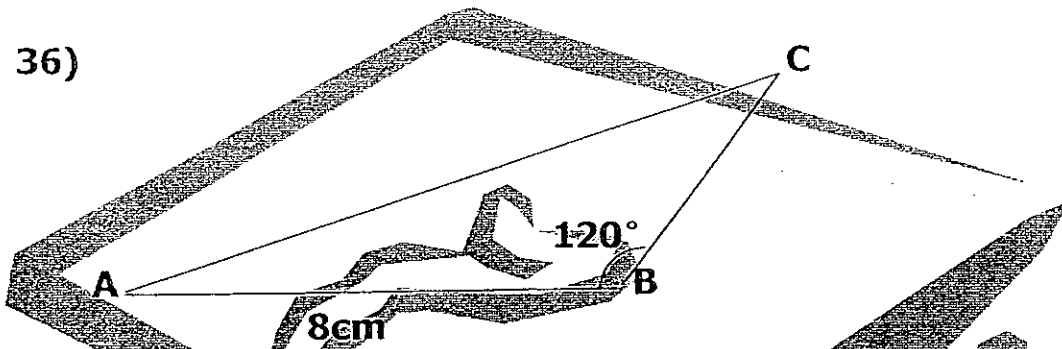
$180^\circ - 121^\circ = 59^\circ$

$59^\circ \div 2 = 29.5^\circ$

35).



36)



$$\begin{aligned} 37) & \$2.40 \div 3 = \$0.80 \\ & \$0.80 \times 2 = \$1.60 \\ & \$1.60 \times 5 = \$8.00 \\ & \$8.00 + \$1.60 = \$9.60 \end{aligned}$$

$$\begin{aligned} 38) & 15 - 7 = 8 \\ & 24 \div 8 = 3 \\ & 7 + 9 = 16 \\ & 16 \times 3 = 48 \end{aligned}$$

$$\begin{aligned} 39) & 30 \times 30 \times 30 = 27000 \\ & 7/10 \times 27000 = 18900 \text{ ml} \\ & = 18.9 \text{ L} \\ & 18.9 + 7.25 = 26.15 \text{ L} \end{aligned}$$

$$\begin{aligned} 40) & 2/5 = 4/10 \\ & 1 - 4/10 = 6/10 \\ & 3/10 + 2/10 = 5/10 \\ & 6/10 \div 2 = 3/10 \\ & 4/10 \div 2 = 2/10 \\ & 430 \times 2 = 860 \end{aligned}$$

$$\begin{aligned} 41) & 1 - 2/7 = 5/7 \\ & 5/7 - 2/7 = 3/7 \\ & 78 \div 3 = 26 \\ & 26 \times 5 = 130 \text{ cm} \end{aligned}$$

$$\begin{array}{r} 42) \underline{22} \\ 23 \end{array}$$

$$\begin{array}{l} 43) a) 180^\circ - 97^\circ = 83^\circ \\ 83^\circ - 30^\circ = 53^\circ \end{array}$$

$$\begin{array}{l} b) 53^\circ + 48^\circ = 101^\circ \\ 180^\circ - 101^\circ = 79^\circ \\ 79^\circ - 79^\circ = 18^\circ \\ 180^\circ - 18^\circ - 62^\circ - 30^\circ = 70^\circ \end{array}$$

$$44) \$255.10$$

$$\begin{array}{l} 45) 72 - 4 = 68 \\ 9 + 8 = 17 \\ 68 - 17 = 4 \\ 4 \times 9 = 36 \\ 4 \times 8 = 32 \\ 36 - 32 = 4 \\ 4 + 4 = 8 \end{array}$$

She bought 8 pencils.

$$\begin{array}{l} 46) 26 \times 20 \times 16 \\ = 520 \times 16 \\ = 8320 \\ 8320 \div 8 = 1040 \\ 1040 \times 5 = 5200 \\ 5200 \div 26 = 200 \\ 200 \div 20 = 10 \\ 8320 \div 5 = 1664 \\ 1664 \div 26 = 64 \\ 64 \div 16 = 4 \\ 10 - 4 = 6 \end{array}$$

47)a)4:3

b)455

48)a)Beads 6 , 7

Matchsticks 12, 14

b) $99 \times 2 = 198$

$88 \times 2 = 176$

$198 - 176 = 22$

c) $51 \times 50 = 2550$

