



Nan Hua Primary School
Primary 5 Science
Term 2 Weighted Assessment

Marks	
Section A:	/10
Section B:	/10
Total:	/20

Name: _____ ()

Class: Primary 5S _____

Date: _____

Duration: 30 minutes

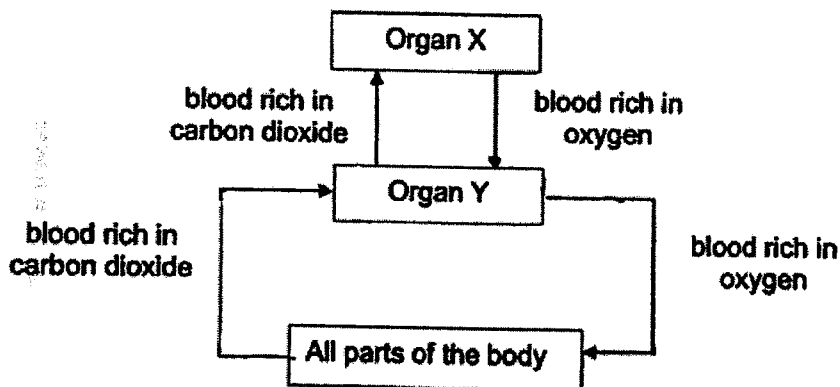
Parent's Signature: _____

Answer all questions.

Section A: (5 x 2 marks = 10 marks)

For each question from 1 to 5, four options are given. One of them is the correct answer. Make your choice (1, 2, 3 or 4) and write your answer in the bracket provided.

1 The diagram below shows the flow of blood in a human body.



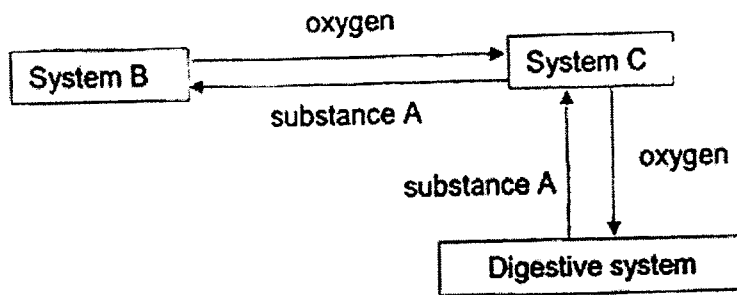
From the information above, which of the following statements are correct?

- A Organ X is the lungs while organ Y is the heart.
- B Organ X is the heart while organ Y is the lungs.
- C Organ Y pumps blood to all parts of the body.
- D Organ Y pumps oxygen to all parts of the body.

- (1) A and C only
- (2) A and D only
- (3) B and C only
- (4) B and D only

()

- 2 The diagram below shows how oxygen and substance A are transported in the human body.

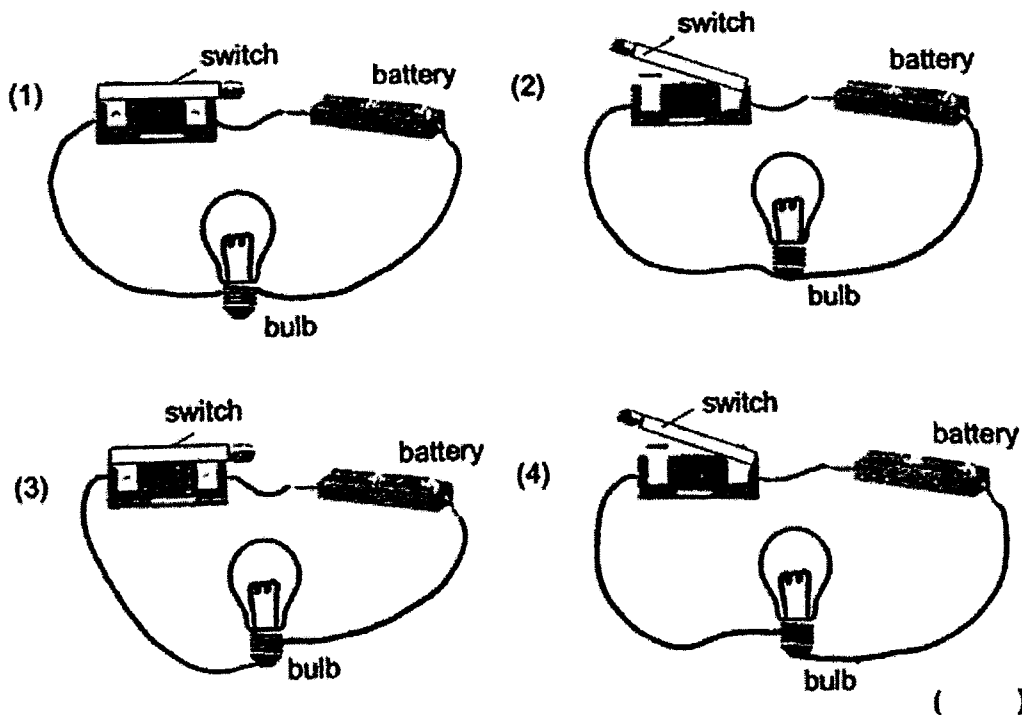


What is substance A and which systems do B and C represent?

	Substance A	System B	System C
(1)	digested food	circulatory	respiratory
(2)	digested food	respiratory	circulatory
(3)	carbon dioxide	circulatory	respiratory
(4)	carbon dioxide	respiratory	circulatory

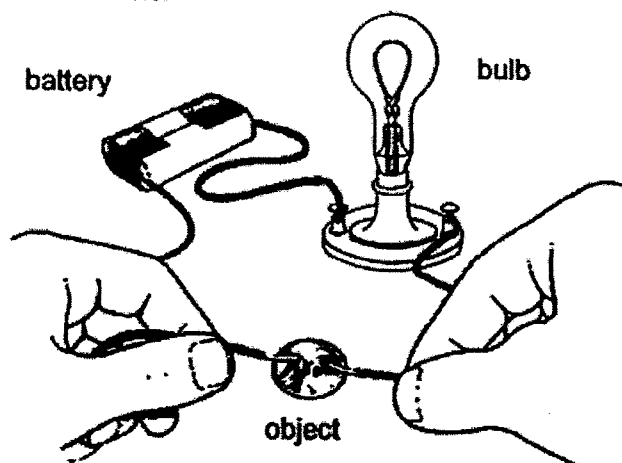
()

- 3 Study the following circuits. In which of the following circuits will the bulb light up?



()

- 4 Peter set up an electrical circuit as shown in the diagram below. He closed the circuit with a coin and the light bulb lit. He repeated the experiment using different objects and wrote down his observations.

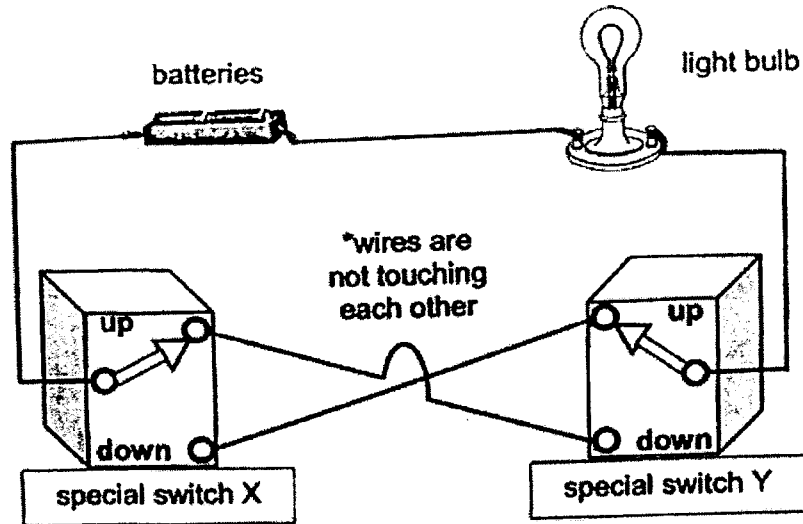


Which of the following is not a possible observation ?

	Object	Did the bulb light up?
(1)	glass rod	no
(2)	iron rod	yes
(3)	rubberband	no
(4)	wooden block	yes

()

- 5 Jamie constructed a circuit using two special switches. Each switch can be turned up or down.



Jamie changed the positions of the switches and wrote down his observations as shown in the table below.

circuit	position of the special switches	
	special switch X	special switch Y
A	up	up
B	up	down
C	down	up
D	down	down

Which of the following circuits, A, B, C or D, will the bulb light up?

- (1) A and B only
- (2) A and C only
- (3) B and C only
- (4) B and D only

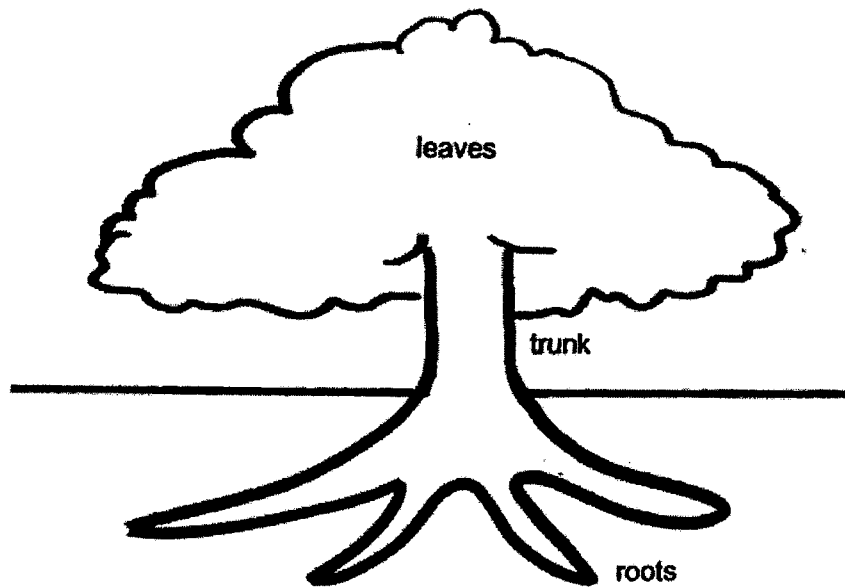
()

Total marks for section A	10
---------------------------	----

Section B: Structured questions (10m)

For questions 6 to 8, write your answers in the space provided. The number of marks available is shown in brackets [] at the end of each question or part question.

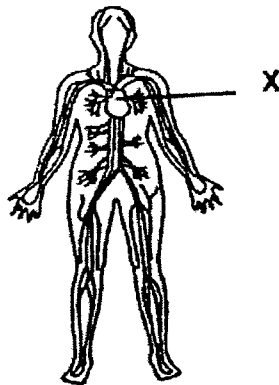
6 The diagram below shows a tree.



- (a) Draw an arrow in the trunk of the tree above to show the movement of food made by the tree. [1]
- (b) State one difference between the direction of movement of water in plants and the direction of movement of blood in the human body. [1]

Score	2
-------	---

7 The diagram below shows a human body.



(a) X is an organ found in the circulatory system. Tick (✓) the other two parts that make up the circulatory system. [1]

blood

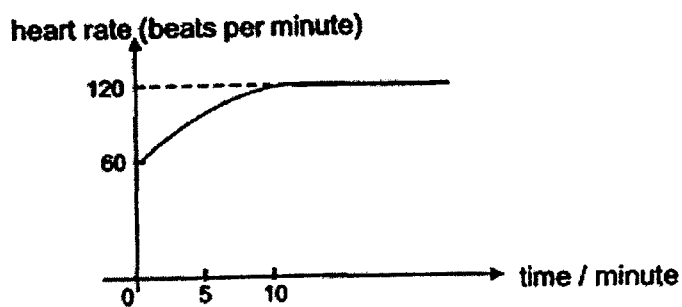
lungs

windpipe

blood vessels

(b) Explain how digested food from the small intestine reaches the rest of the body. [1]

(c) Bob went for a run in the park. The graph below shows how his heart rate changed with the time during the exercise.



State how Bob's heart rate changed during the first 10 minutes of his exercise. Explain the reason for this change in his heart rate. [2]

Score	4
-------	---

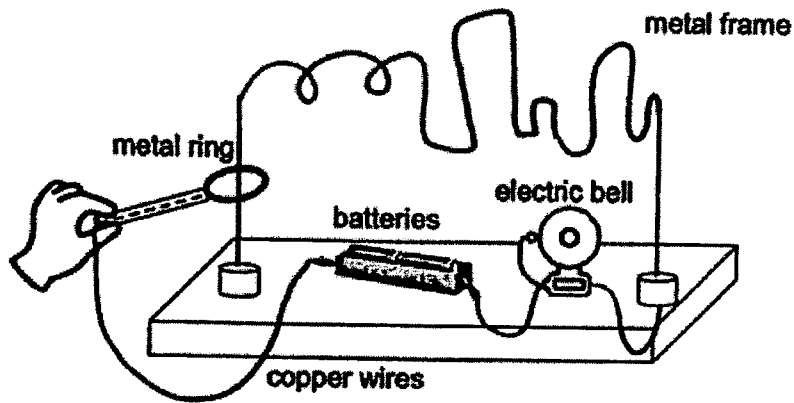
8

- (a) Draw the correct *symbols* of the following electrical components in the table below.

[1]

(i) light bulb	(ii) a battery

- (b) Alice set up a circuit for a game as shown below. It consists of two batteries, a metal ring and an electric bell connected to a metal frame. When the ring touches the metal frame, the electric bell rings and a sound is heard.



Tick the electrical component that best represents the metal ring.

[1]

bulb

switch

battery

- (c) Can the ring be made of rubber? Explain your answer.

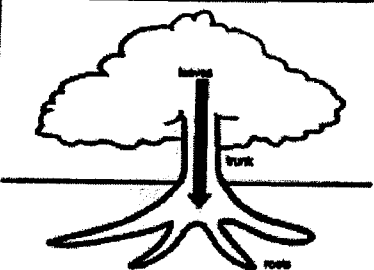
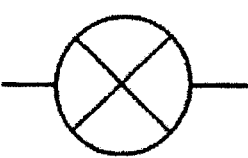

[2]

End of Paper

Score	4
-------	---



	WA Answer
1	1
2	2
3	3
4	4
5	3

Qn No	Answer
6a	
b	The water travels only one direction towards the leaves. Whereas the blood (circulates) around the body in (two) loops
7a	<ul style="list-style-type: none"> • blood • blood vessels
b	Digested food is absorbed into the blood at the small intestine and the heart pumps blood carries the digested food to the rest of the body.
7c	His heart rate will increase/faster as his heart will need blood carrying more oxygen and digested food to the rest of the body in order to release more energy and remove the carbon dioxide formed during the run.
8a	<p>i</p>  <p>ii</p> 
8b	• switch
8c	No. Rubber is an insulator of electricity / does not conduct electricity. When the ring touches the wire, it is still an open circuit. No electric current will flow through and the electric bell will not ring/ no sound is produced/ the game will not work.

