



2019 PRIMARY 5 SEMESTRAL ASSESSMENT 2

Name : _____ () Date: 24 October 2019

Class : Primary 5 ()

Time: 8.00 a.m. - 9.00 a.m.

Parent's Signature : _____

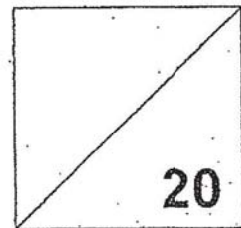
Marks: _____ / 100

Paper 1 comprises 2 booklets, A and B.

MATHEMATICS

PAPER 1

(BOOKLET A)



INSTRUCTIONS TO CANDIDATE

1. Write your name, class and register number.
2. Do not turn over this page until you are told to do so.
3. Follow all instructions carefully.
4. Answer all questions.
5. Shade your answers in the Optical Answer Sheet (OAS) provided.
6. You are **not** allowed to use a calculator.

Questions 1 to 10 carry 1 mark each. Questions 11 to 15 carry 2 marks each.
For each question, four options are given. One of them is the correct answer.
Make your choice (1, 2, 3 or 4).

Shade the oval (1, 2, 3 or 4) on the Optical Answer Sheet.

(20 marks)

1. Which of the following is seven million, four hundred and four thousand, seven hundred and four?

(1) 7 404 704

(2) 7 404 740

(3) 7 440 704

(4) 7 440 740

2. Find the difference between 5 and $3\frac{7}{10}$.

(1) $1\frac{3}{10}$

(2) $1\frac{7}{10}$

(3) $2\frac{3}{10}$

(4) $2\frac{7}{10}$

3. What is the value of $8 \div 4000$?

(1) 0.002

(2) 0.02

(3) 50

(4) 500

4. Express 3.7% as a decimal.

(1) 0.0037

(2) 0.037

(3) 0.37

(4) 3.7

5. Express 90 034 mℓ in ℓ.

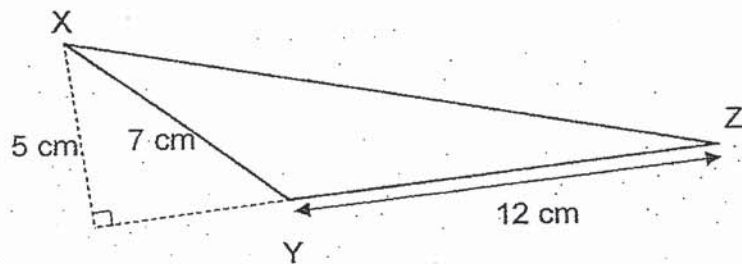
(1) 9.034 ℓ

(2) 9.34 ℓ

(3) 90.034 ℓ

(4) 90.34 ℓ

6. Find the area of Triangle XYZ.



(1) 30 cm²

(2) 42 cm²

(3) 60 cm²

(4) 84 cm²

7. How many degrees are there in a $\frac{3}{4}$ turn?

(1) 75°

(2) 90°

(3) 180°

(4) 270°

8. Which of the following is nearest to $\frac{1}{2}$?

(1) $\frac{3}{4}$

(2) $\frac{3}{5}$

(3) $\frac{3}{7}$

(4) $\frac{3}{8}$

9. At a sale, a discount of 25% is given to all customers. How much does a customer have to pay if the original price of a shirt is \$60?

(1) \$15

(2) \$45

(3) \$51

(4) \$75

10. A pile of books is repacked into 4 boxes. The mass of the first box is 4 kg. The average mass of the remaining boxes is 16 kg. Find the total mass of the 4 boxes.

(1) 20 kg

(2) 48 kg

(3) 52 kg

(4) 64 kg

11. There are 33 bicycles and tricycles in Uncle Muthu's shop. Amanda counts a total of 80 wheels. How many tricycles are there in the shop?

(1) 12

(2) 14

(3) 16

(4) 19

12. A ribbon of length 12.1 m was cut into three pieces. The first piece was 4 times as long as the second piece. The second piece was twice as long as the third piece. How long was the second piece?

(1) 1.10 m

(2) 1.21 m

(3) 2.20 m

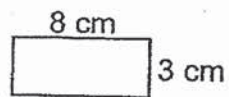
(4) 2.42 m

13. There were 34 children at a library. After 12 girls left and 6 boys entered the library, there was an equal number of boys and girls. Find the ratio of the number of girls to the number of boys at first.

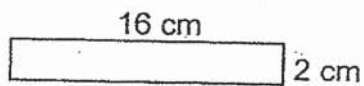
- (1) 1 : 10
- (2) 10 : 1
- (3) 13 : 4
- (4) 4 : 13

14. Which figure has an area of 32 cm^2 and a perimeter of 24 cm?

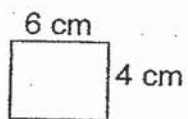
(1)



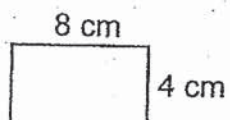
(2)



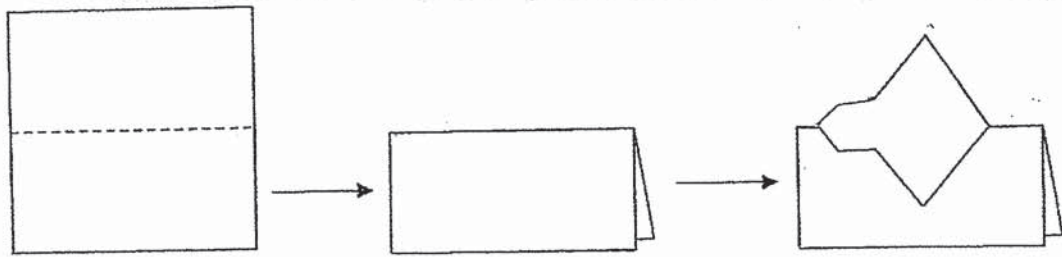
(3)



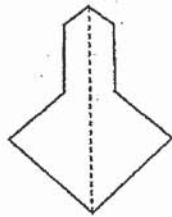
(4)



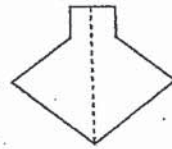
15. Which of the following symmetric figures is cut out from the piece of folded paper shown below?



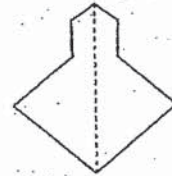
(1)



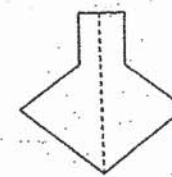
(2)



(3)



(4)



- End of Booklet A -



2019 PRIMARY 5 SEMESTRAL ASSESSMENT 2

Name : _____ () Date: 24 October 2019

Class : Primary 5 ()

Time: 8.00 a.m. - 9.00 a.m.

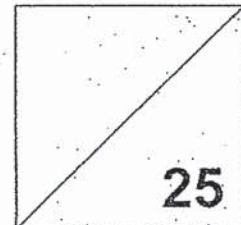
Parent's Signature : _____

Paper 1 comprises 2 booklets, A and B.

MATHEMATICS

PAPER 1

(BOOKLET B)



INSTRUCTIONS TO CANDIDATE

1. Write your name, class and register number.
2. Do not turn over this page until you are told to do so.
3. Follow all instructions carefully.
4. Answer all questions.
5. Write your answers in this booklet.
6. You are **not** allowed to use a calculator.

Questions 16 to 20 carry 1 mark each. Write your answers in the spaces provided.
For questions which require units, give your answers in the units stated. (5 marks)

16. Find the value of $\frac{4}{25} \times \frac{15}{15}$.

Express your answer as a fraction in its simplest form.

Ans: _____

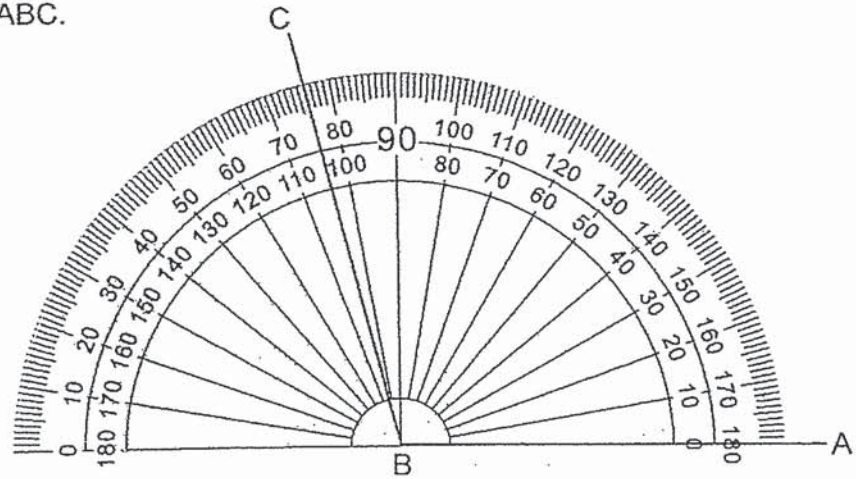
17. In 241.596, what is the value of digit 6?

Ans: _____

18. Alex completed a race in 35 s. Paul was 13 s faster than Alex. How long did Paul take to complete the race?

Ans: _____ s

19. Measure $\angle ABC$.



Ans: $\angle ABC =$ _____ $^{\circ}$

20. The table shows the lengths of 5 coloured ribbons.

Coloured ribbons	Red	Yellow	Blue	Silver	Gold
Length (m)	2.1	3.4	2.2	2.6	2.2

Find the average length of the ribbons.

Ans: _____ m

Questions 21 to 30 carry 2 marks each. Show your working clearly in the space provided for each question and write your answers in the spaces provided. For questions which require units, give your answers in the units stated. (20 marks)

21. Find the missing number.

$$24 : 16 = \underline{\quad\quad} : 28$$

Ans: _____

22. Mrs Goh had 400 eggs. She used 45% of the eggs to make cookies. How many eggs had she left?

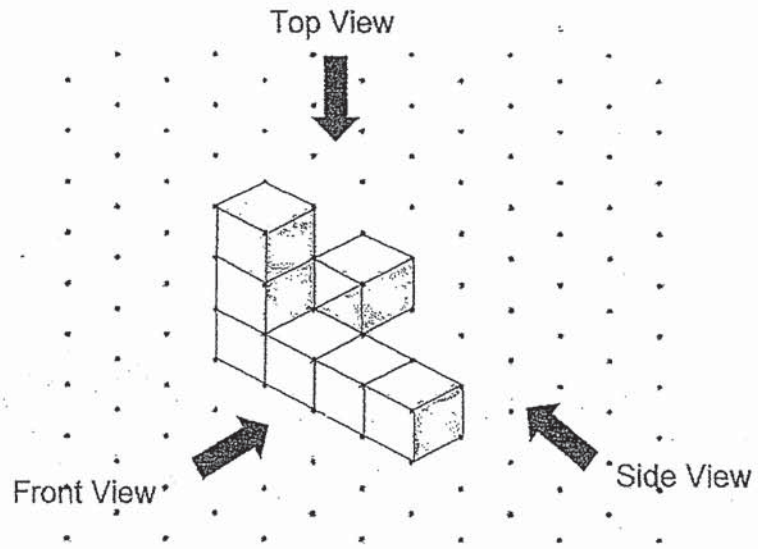
Ans: _____

23. Solve the following equation.

$$(38 + 2 \times 6) - (40 \div 2 - 5)$$

Ans: _____

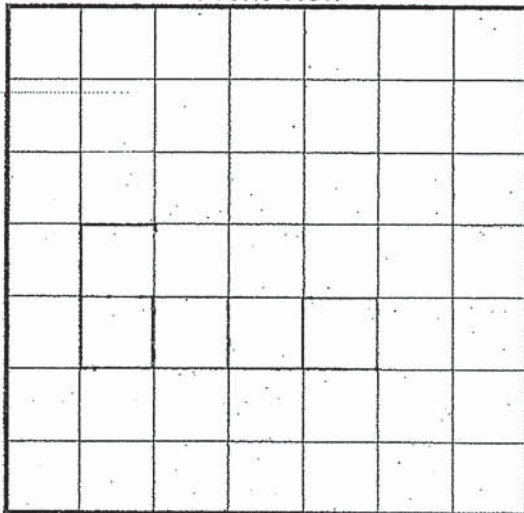
24. Anna stacked 8 unit cubes and glued them together to form the solid below.



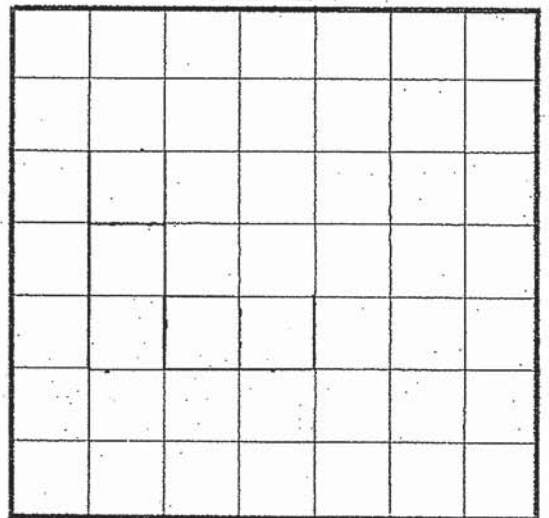
Draw the front view and the side view of the solid on the grids below.

Answer:

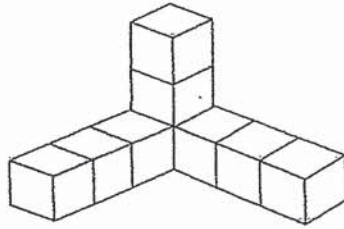
Front View



Side View



25. The diagram shows a solid which is made up of 2-cm cubes. What is the volume of the solid?



Ans: _____ cm³

26. Sally was charged \$66 for some computer parts and \$18 every hour to repair her computer. How much did Sally pay in total for 3 hours of repair?

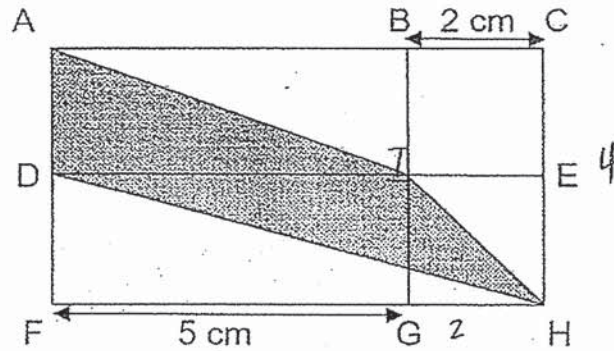
Ans: \$ _____

27. Ravi and his brother started to do their homework together at 2.45 p.m. Ravi finished his homework at 4.25 p.m. and his brother took half as much time as Ravi. How long did his brother take to complete his homework?

Ans: _____ h

28. Rectangle ACHF is made up of two identical rectangles and two identical squares. $BC = 2\text{ cm}$ and $FG = 5\text{ cm}$.

What fraction of the rectangle ACHF is shaded?



Ans: _____

29. Brian was paid \$4 for every food delivery trip he made and an additional \$2 for every 10 trips he made. How much would he receive for making 75 trips?

Ans: \$ _____

30. The table below shows the postage rates of Country X.

Mass	Charge
Up to 7 kilograms	\$7 per kilogram
Every additional kilogram	\$8 per kilogram

Sylvia needs to send a parcel weighing 13 kg to Country X.
How much does she need to pay?

Ans: \$ _____

End of Booklet B

End of Paper 1



2019 PRIMARY 5 SEMESTRAL ASSESSMENT 2

Name : _____ () Date: 24 October 2019

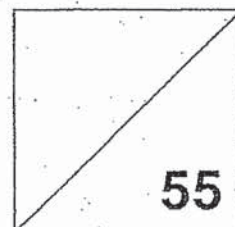
Class : Primary 5 ()

Time: 10.30 a.m. - 12.00 p.m.

Parent's Signature : _____

MATHEMATICS

PAPER 2



INSTRUCTIONS TO CANDIDATE

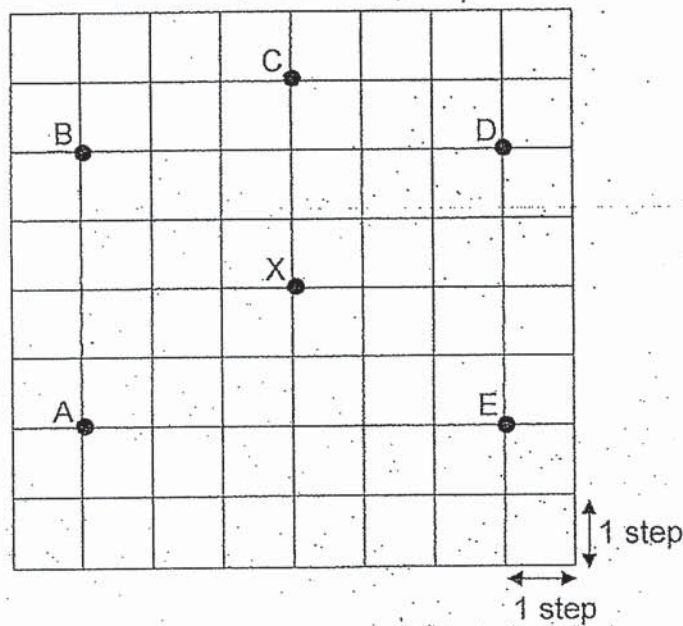
1. Write your name, class and register number.
2. Do not turn over this page until you are told to do so.
3. Follow all instructions carefully.
4. Answer all questions.
5. Show your working clearly as marks are awarded for correct working.
6. You are allowed to use a calculator.

Questions 1 to 5 carry 2 marks each. Show your working clearly in the space provided for each question and write your answers in the spaces provided. For questions which require units, give your answers in the units stated. (10 marks)

1. The sum of 2 numbers is 437. Their difference is 56. What is the smaller number?

Ans: _____

2. Study the diagram and answer the following question.



Ali was at a certain position. He walked 4 steps due south, 3 steps due east and 2 steps due north. He ended at Position X. What was his starting position?

Ans: _____

3. When a number is doubled and 6 is added to the result, the answer is 28. What is the original number?

Ans: _____

4. Aini read $\frac{1}{5}$ of a novel in the morning. She read $\frac{3}{8}$ of the remainder in the afternoon. What fraction of the novel was read in total? Give your answer in the simplest form.

Ans: _____

5. Mr Ho and his class want to spend $1\frac{1}{2}$ h at the Marine Food Centre. They have to leave by 13 25. What is the latest time that they must reach the Marine Food Centre?



Ans: _____ a.m.

For questions 6 to 17, show your working clearly in the space provided for each question and write your answers in the spaces provided.
The number of marks available is shown in brackets [] at the end of each question or part-question. (45 marks)

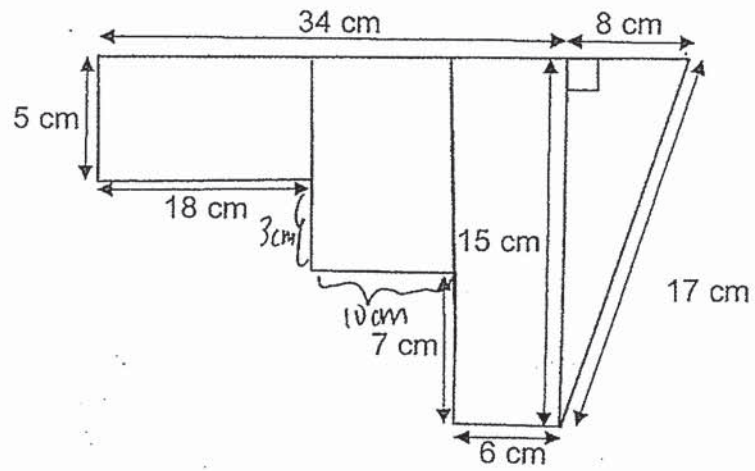
6. The mass of a metal tin containing 60 identical packets of biscuits is 3.35 kg. After 43 packets of biscuits were given away, the mass of the metal tin and biscuits left was 1050 g. Find the mass of each packet of biscuit.
Give your answer in kilograms correct to 2 decimal places.

Ans: _____ [3]

7. Sarah can fold 30 paper butterflies in 1 hour. Joyce can fold the same number of paper butterflies in $\frac{3}{4}$ of the time. At these rates, how many paper butterflies can they fold altogether in 6 hours?

Ans: _____

8. Study the figure below.



- (a) Find the perimeter of the figure.
 (b) What is the total area of the figure?

Ans: (a) _____ [1]

(b) _____ [2]

9. How many digits are there from 1 to 101?

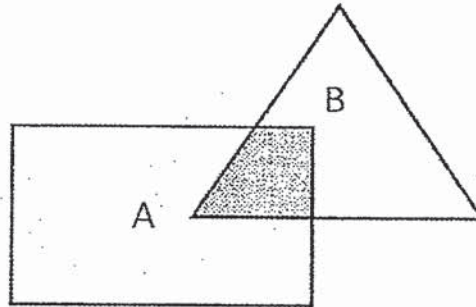
Ans: _____ [3]

10. There are 2200 students in a school. 85% of them are Chinese, $\frac{2}{3}$ of the remaining students are Malays and the rest are Indians.
How many Indian students are there?

Ans: _____ [3]

11. Rectangle A overlaps Triangle B as shown by the shaded part. The ratio of the area of Rectangle A to the area of the shaded part to the area of Triangle B is $7 : 2 : 5$. The shaded area is 26 cm^2 .

- (a) Find the area of Triangle B.
(b) What fraction of the figure is unshaded?



Ans: (a) _____ [2]

(b) _____ [2]

12. A rectangular tank measuring 52 cm by 24 cm by 18 cm is $\frac{3}{4}$ filled with water.

The water is then transferred into a cubical container of side 34 cm. How much more water is needed for the cubical container to be $\frac{1}{2}$ filled with water?

Give your answer in ℓ and mℓ.

Ans: _____ [4]

13. The usual price of a television set is \$8000. This price does not include the 7% GST. At a sale, Mr Tan gets a discount of 15% off the total price. Mr Tan wants to make 2 equal payments for the television set. How much does he have to pay each time?

Ans: _____ [4]

14. 1.25 kg of cranberries were mixed with twice as much cashew nuts. 2.3 kg of almonds were added to the mixture. They were then packed into packets of 40 g each.

(a) How many 40-g packets were there?

(b) How many grams of mixture was left?

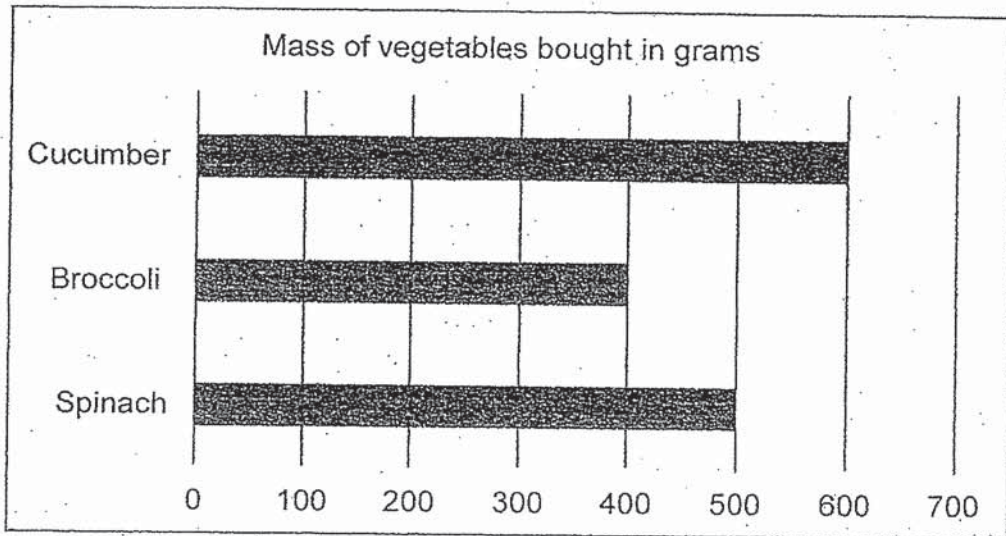
Ans: (a) _____ [3]

(b) _____ [1]

15. Nadra bought three types of vegetables. The prices are given below.

Type of vegetables	Price per 100g of vegetables
Cucumber	73 ¢
Broccoli	\$1.10
Spinach	80 ¢

The bar graph shows the mass of each type of vegetables Nadra bought.



- (a) What fraction of the vegetables Nadra bought were cucumber?
Give your answer in the simplest form.
- (b) (i) Which type of vegetables did Nadra spend the most money on?
(ii) How much did she spend on that vegetable?

Ans: (a) _____ [1]

(b) (i) _____ [1]

(ii) _____ [2]

16. Jin Ting had \$61 to buy 3 boxes of drinks and 4 tins of milk. Instead, she bought 4 boxes of drinks and 3 tins of milk and had \$3 left. Find the cost of a box of drinks.

Ans: _____ [5]

17. A train with some passengers reached Station A and 8 more people boarded the train.

At Station B, $\frac{2}{5}$ of the passengers alighted.

Then at Station C, $\frac{2}{3}$ of the passengers alighted and 3 people boarded the train.

There were 17 people in the train when it left Station C.

How many passengers were there in the train at the start?

Ans: _____ [5]

End of Paper 2

ANSWER KEY

YEAR : 2019
LEVEL : PRIMARY 5
SCHOOL : TAO NAN SCHOOL
SUBJECT : MATHEMATICS
TERM : SA2

PAPER 1 : BOOKLET A

Q1	Q2	Q3	Q4	Q5	Q6	Q7	Q8
1	1	1	2	3	1	4	3
Q9	Q10	Q11	Q12	Q13	Q14	Q15	
2	3	2	3	3	4	3	

PAPER 1 : BOOKLET B

Q16	$\frac{3}{20}$			
Q17	0.006			
Q18	$35s - 13s = 22s$			
Q19	104°			
Q20	$2.1 + 3.4 + 2.2 + 2.6 + 2.2 = 12.5$ $12.5 \div 5 = 2.5$			
Q21	42			
Q22	$100\% - 45\% = 55\%$ $400 \times \frac{55}{100} = 220 \text{ eggs}$			
Q23	$(38 + 2 \times 6) - (40 \div 2 - 5)$ $= (38 + 12) - (20 - 5)$ $= 50 - 15$ $= 35$			
Q24	<div style="display: flex; justify-content: space-around; align-items: flex-start;"> <div style="text-align: center;"> <p>Front View</p> </div> <div style="text-align: center;"> <p>Side View</p> </div> </div>			
Q25	$1 \text{ cube} \rightarrow 2\text{cm} \times 2\text{cm} \times 2\text{cm} = 8\text{cm}^3$ $9 \times 8\text{cm}^3 = 72\text{cm}^3$			
Q26	$3 \text{ hours} \rightarrow \$18 \times 3 = \$54$ Total $\rightarrow \$54 + \$66 = \$120$			
Q27	<table style="margin-left: auto; margin-right: auto; border-collapse: collapse;"> <tr> <td style="border: 1px solid black; padding: 2px;">15 min</td> <td style="border: 1px solid black; padding: 2px;">1 hours</td> <td style="border: 1px solid black; padding: 2px;">25min</td> </tr> </table> <p style="text-align: center;"> $2.45\text{pm} \quad 3\text{pm} \quad \quad \quad 4\text{pm} \quad \quad \quad 4.25\text{pm}$ </p> $1\text{h} + 15\text{min} + 25\text{min} = 1\text{h } 40\text{ min}$ $1\text{h } 40\text{ min} = 100\text{min}$ $100\text{min} \div 2 = 50\text{ min}$ $50\text{min} = \frac{5}{6} \text{ h}$	15 min	1 hours	25min
15 min	1 hours	25min		

Q28	<p>Total $\rightarrow 4 \times 7 = 28\text{cm}^2$</p> <p>Shaded area $\rightarrow ADT + DEH - OEH$</p> $= \frac{1}{2} \times 5 \times 2 + \frac{1}{2} \times 7 \times 2 - \frac{1}{2} \times 2 \times 2$ $= 5 + 7 - 2$ $= 10$ <p>Ans: $\frac{10}{28} = \frac{5}{14}$</p>
Q29	<p>$\\$4 \times 75 = 300$</p> <p>$75 \div 10 = 7 \text{ R } 5$</p> <p>$7 \times 2 = 14$</p> <p>Total paid $\rightarrow 300 + 14 = 314$</p>
Q30	<p>First 7kg $\rightarrow \\$7 \times 7\text{kg} = \\49</p> <p>After 7 kg $\rightarrow \\$8 \times (13 - 7) = \\48</p> <p>Total paid $\rightarrow \\$49 + \\$48 = \\$97$</p>

PAPER 2

Q1	<p>$437 - 56 = 381$</p> <p>$381 \div 2 = 190.5$</p>								
Q2	Position B								
Q3	<p>$28 - 6 = 22$</p> <p>$22 \div 2 = 11$</p>								
Q4	<table border="1" style="width: 100%; text-align: center;"> <tr> <td style="width: 25%;"></td> <td style="width: 25%;"></td> <td style="width: 25%;"></td> <td style="width: 25%;"></td> </tr> <tr> <td>Morning</td> <td>Afternoon</td> <td></td> <td></td> </tr> </table> <p>Ans $\rightarrow \frac{5}{10} = \frac{1}{2}$</p>					Morning	Afternoon		
Morning	Afternoon								
Q5	<table border="1" style="width: 100%; text-align: center;"> <tr> <td style="width: 25%;">5 min</td> <td style="width: 25%;">25 min</td> <td style="width: 25%;">1h</td> <td style="width: 25%;"></td> </tr> <tr> <td>11 55</td> <td>12 00</td> <td>12 25</td> <td>13 25</td> </tr> </table> <p>Ans $\rightarrow 11.55 \text{ a.m.}$</p>	5 min	25 min	1h		11 55	12 00	12 25	13 25
5 min	25 min	1h							
11 55	12 00	12 25	13 25						
Q6	<p>$1050\text{g} = 1.05\text{kg}$</p> <p>$3.35\text{kg} - 1.05\text{kg} = 2.3\text{kg}$</p> <p>$2.3\text{kg} \div 43 = 0.05\text{kg}$</p>								
Q7	<p>Sarah $\rightarrow 30 \times 6 = 180$</p> <p>Joyce $\rightarrow 180 \times 4 \div 3 = 240$</p> <p>Total $\rightarrow 180 + 240 = 420$</p> <p>a) $34 + 8 + 17 + 6 + 7 + [10] + [3] + 18 + 5$ $= 108\text{cm}$</p> <p>b) $5 \times 18 = 90$ $8 \times 10 = 80$ $15 \times 6 = 90$ $\frac{1}{2} \times 15 \times 8 = 60$</p> <p>Total area $\rightarrow 90 + 80 + 90 + 60 = 320\text{cm}^2$</p>								
Q9	<table border="1" style="width: 100%;"> <tr> <td></td> <td>No of digits</td> </tr> <tr> <td>1 - 9</td> <td>$1 \times 9 = 9$</td> </tr> <tr> <td>10 - 99</td> <td>$2 \times 90 = 180$</td> </tr> <tr> <td>100 - 101</td> <td>$3 \times 2 = 6$</td> </tr> </table> <p>Ans $\rightarrow 9 + 180 + 6 = 195 \text{ digits}$</p>		No of digits	1 - 9	$1 \times 9 = 9$	10 - 99	$2 \times 90 = 180$	100 - 101	$3 \times 2 = 6$
	No of digits								
1 - 9	$1 \times 9 = 9$								
10 - 99	$2 \times 90 = 180$								
100 - 101	$3 \times 2 = 6$								

Q10	$100\% - 85\% = 15\%$ $15\% \div 3 = 5\%$ $2200 \times 5\% = 110$
Q11	$A : S : B \rightarrow 7 : 2 : 5$ a) $2u \rightarrow 26$ $1u \rightarrow 26 \div 2 = 13$ $5u \rightarrow 13 \times 5 = 65$ b) $7 + 5 = 12$ $12 - 2 = 10$ $10 - 2 = 8$ Ans $\rightarrow \frac{8}{10} = \frac{4}{5}$
Q12	Rectangle tank $\rightarrow 52 \times 24 \times 18 = 22464\text{cm}^3$ $\frac{3}{4}$ Rectangle tank $\rightarrow 22464 \div 4 \times 3 = 16848\text{cm}^3$ Half of cubical $\rightarrow \frac{1}{2} \times 34 \times 34 \times 34 = 19652\text{cm}^3$ Water needed $\rightarrow 19652 - 16848 = 2804\text{cm}^3$ $2804\text{cm}^3 = 2804\text{ml} = 2 \text{ L } 804 \text{ ml}$
Q13	$\$8000 \times \frac{107}{100} = \8560 $\$8560 \times \frac{85}{100} = \7276 $\$7276 \div 2 = \3638
Q14	Cranberries used $\rightarrow 1.25\text{kg} \times 2 = 2.5\text{kg}$ Total kg in mixture $\rightarrow 2.5\text{kg} + 1.25\text{kg} + 2.3\text{kg} = 6.05\text{kg}$ $40\text{g} = 0.04\text{kg}$ $6.05\text{kg} \div 0.04\text{kg} = (151 \text{ R } 0.01)\text{kg}$ Ans (a) $\rightarrow 151 \text{ 40-g packets}$ Ans (b) $\rightarrow 0.01\text{kg} \rightarrow 10\text{g}$
Q15	Total veg $\rightarrow 600 + 400 + 500 = 1500$ Ans (a) $\rightarrow \frac{600}{1500} = \frac{2}{5}$ $6 \times \$0.73 = \4.38 $4 \times \$1.10 = \4.40 $5 \times \$0.80 = \4.00 Ans (b) \rightarrow i) Broccoli , ii) \$4.40
	milk - 1 drink = \$3 milk - 3 drink = $\$3 \times 3 = \9 $\$58 - \$9 = \$49$ $\$49 \div 7 = \7 Answer : \$7 (cost of a box of drinks)
Q17	Total passenger reach station C : $17 - 3 = 14$ $14 \times 3 = 42$ Total passenger reach station B: $42 \times \frac{5}{3} = 70$ Total passenger at the start: $70 - 8 = 62$

3
END