



CATHOLIC HIGH SCHOOL
MID-YEAR EXAMINATION (2019)
PRIMARY FIVE
MATHEMATICS
PAPER 1
(BOOKLET A)

Name : _____ ()

Class : Primary 5 _____

Date : 14 May 2019

Total Time for Booklets A and B: 1 hour

15 questions

20 marks

INSTRUCTIONS TO CANDIDATES

Do not turn over this page until you are told to do so.

Follow all instructions carefully.

Answer all questions.

Shade your answers in the Optical Answer Sheet (OAS) provided.

The use of calculators is **NOT** allowed.

Booklet A and B consist of 13 printed pages excluding the cover page.

Questions 1 to 10 carry 1 mark each. Questions 11 to 15 carry 2 marks each. For each question, four options are given. One of them is the correct answer. Make your choice (1, 2, 3 or 4). Shade the oval (1, 2, 3 or 4) on the Optical Answer Sheet. All diagrams are not drawn to scale. (20 marks)

1. What does the digit 7 in 3 478 900 stand for?

- (1) 700
 - (2) 7000
 - (3) 70 000
 - (4) 700 000
-

2. $400 \div 50 =$ _____

- (1) 8
 - (2) 80
 - (3) 200
 - (4) 2000
-

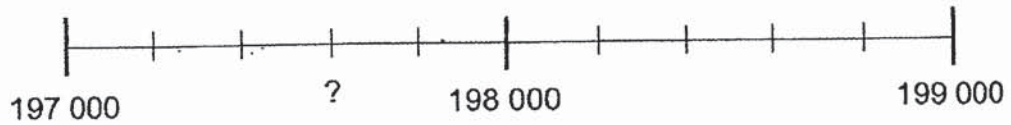
3. Which of the following is the same as 1040 cm?

- (1) 1 m 4 cm
 - (2) 1 m 40 cm
 - (3) 10 m 4 cm
 - (4) 10 m 40 cm
-

4. What is the volume of a cube of edge 10 cm?

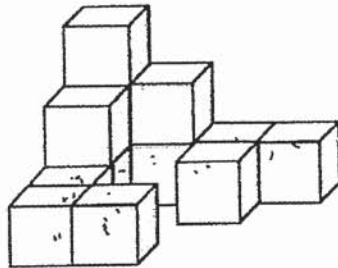
- (1) 30 cm^3
 - (2) 100 cm^3
 - (3) 600 cm^3
 - (4) 1000 cm^3
-

5. The number line is marked at equal interval. Find the missing number on the number line below.



- (1) 197 300
- (2) 197 400
- (3) 197 600
- (4) 197 998

-
6. The solid below is made up of 1-cm cubes. What is the volume of the solid?

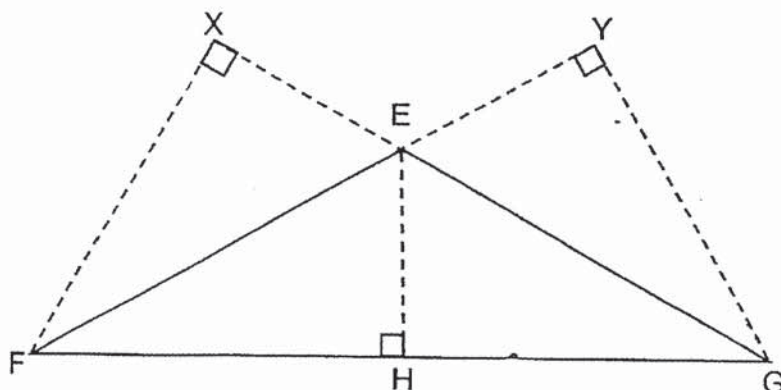


- (1) 11 cm³
- (2) 12 cm³
- (3) 13 cm³
- (4) 14 cm³

-
7. Mary has 14 stickers and John has 16 stickers. What is the ratio of the number of stickers Mary has to the total number of stickers they both have?

- (1) 7 : 15
- (2) 15 : 7
- (3) 8 : 7
- (4) 7 : 8

8. In the figure below, EGF is a triangle. With EG as the base of triangle EGF, which of the following is the height of triangle EGF?



- (1) EH
(2) FX
(3) FE
(4) GY
-
9. Siti bought 100 apples. She ate 20 apples and packed the rest of them into bags of 5. Which equation represents the number of bags of apples she had after packing?
- (1) $100 + 20 \div 5$
(2) $100 - 20 \div 5$
(3) $(100 + 20) \div 5$
(4) $(100 - 20) \div 5$
-

10. Which one of the following fractions is closest to 1?

(1) $\frac{3}{4}$

(2) $\frac{11}{12}$

(3) $1\frac{1}{8}$

(4) $1\frac{1}{2}$

11. Mary shared 10 pizzas equally among 7 children. How many pizzas did each child get?

(1) $1\frac{3}{7}$

(2) $\frac{3}{7}$

(3) $3\frac{1}{7}$

(4) $\frac{7}{10}$

12. Ariel made pink paint by mixing red paint and white paint in the ratio of 5 : 1. He made 720 ml of pink paint. How much red paint did Ariel use?

(1) 120 ml

(2) 144 ml

(3) 480 ml

(4) 600 ml

13. Jasmine bought 5 m of ribbon. She used $\frac{5}{8}$ of it for decorations.
How much ribbon was left?

(1) $\frac{3}{8}$ m

(2) $1\frac{7}{8}$ m

(3) $3\frac{1}{8}$ m

(4) $4\frac{3}{8}$ m

14. Corrine had $\frac{7}{8}$ kg of flour. She used $\frac{1}{4}$ kg to make some biscuits.
How much flour was left?

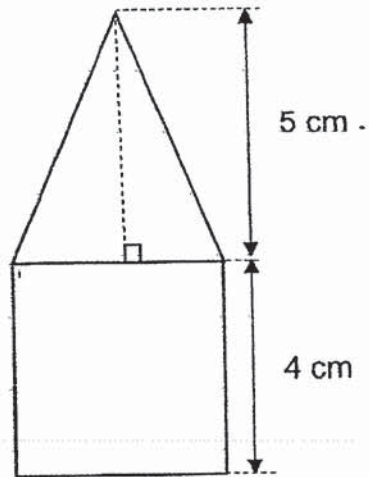
(1) $\frac{5}{8}$ kg

(2) $\frac{3}{4}$ kg

(3) $\frac{7}{32}$ kg

(4) $\frac{21}{32}$ kg

15. The figure below is made up of a square and a triangle.
Find the area of the figure.



- (1) 10 cm^2
(2) 22 cm^2
(3) 26 cm^2
(4) 36 cm^2

END OF BOOKLET A



CATHOLIC HIGH SCHOOL
MID-YEAR EXAMINATION (2019)
PRIMARY FIVE
MATHEMATICS
PAPER 1
(BOOKLET B)

Name : _____ ()

Class : Primary 5 _____

Date : 14 May 2019

Total Time for Booklets A and B: 1 hour

15 questions

25 marks

Booklet A	
Booklet B	
Total	

INSTRUCTIONS TO CANDIDATES

Do not turn over this page until you are told to do so.

Follow all instructions carefully.

Answer all questions.

Write your answers in this booklet.

The use of calculators is **NOT** allowed.

Booklet A and B consist of 13 printed pages excluding the cover page.

Questions 16 to 20 carry 1 mark each. Write your answers in the spaces provided. For questions which require units, give your answers in the units stated. All diagrams are not drawn to scale. (5 marks)

Do not write
in this space

16. Write five million, two thousand and seven in figures.

Ans: _____

17. What is the value of $64 - 8 \times 7 + 3$?

Ans: _____

18. What is the missing number in the blank below?

$$18 : 15 = \underline{\hspace{2cm}} : 5$$

Ans: _____

19. Sally bought 20 apples, 12 oranges and 16 pears. Find the ratio of the number of apples to the number of oranges to the number of pears. Leave your answer in the simplest form.

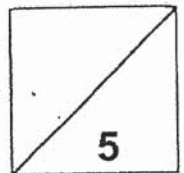
Do not write
in this space

Ans: _____

20. There are 609 103 spectators at a stadium. Express this number to the nearest thousand.

Ans: _____

Total marks for questions 16 to 20



Questions 21 to 30 carry 2 marks each. Show your working clearly and write your answers in the spaces provided. For questions which require units, give your answers in the units stated. All diagrams are not drawn to scale.

Do not write
in this space

(20 marks)

21. Express $\frac{25}{7}$ as a decimal, correct to 1 decimal place. .

Ans: _____

22. Find the product of $\frac{3}{8}$ and $\frac{5}{6}$. Leave your answer in the simplest form.

Ans: _____

23. After Abby lost 5 books and Zoe bought 15 books, they had the same number of books in the end. How many more books did Abby have than Zoe at first?

Ans: _____

24. The length of the sides of a triangle are in the ratio of 3 : 4 : 5. The length of the shortest side is 60 cm. What is the perimeter of the triangle?

Do not write
in this space

Ans: _____ cm

25. At a party, the ratio of the number of adults to the number of children was 5 : 3. Of the number of children, the ratio of the number of boys to the number of girls was 5 : 4.

Statement (a) and (b) are either true, false or not possible to tell from the information given above. For statement (a) and (b), put a tick (✓) in the correct column.

Statement	True	False	Not possible to tell
(a) The number of children was $\frac{3}{8}$ of the total number of people at the party.			
(b) There was an equal number of adults and boys.			

26. Charles spent $\frac{1}{4}$ of his pocket money on stationery and $\frac{5}{8}$ of it on food.
What fraction of his money was left?

Do not write
in this space

Ans: _____

27. Chocolate pies are sold at \$2 each and in packets of 5 at \$9 per
packet. John wants to buy 23 chocolate pies. What is the least amount
of money he has to pay?

Ans:\$ _____

28. Joseph and Mark have \$230. Joseph and Kelvin have \$130. Mark has 3 times as much money as Kelvin. How much money does Kelvin have?

Do not write
in this space

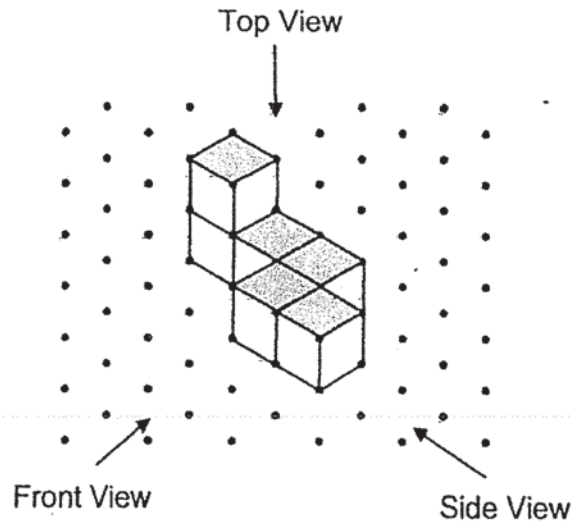
Ans: \$ _____

29. The ratio of the number of red marbles to the number of blue marbles is 3: 4. The ratio of the number of green marbles to the number of red marbles is 5 : 9. What is the ratio of the number of blue marbles to the number of green marbles? Leave your answer in the simplest form.

Ans: _____

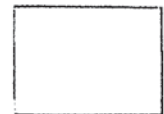
30. The following solid is made up of 6 cubes. Its top view has been drawn as shown below. Draw the front view of the solid on the square grid provided.

Do not write in this space

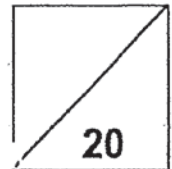


Front View					

Top View					



Total marks for questions 21 to 30



END OF BOOKLET B
END OF PAPER 1



CATHOLIC HIGH SCHOOL
MID-YEAR EXAMINATION (2019)
PRIMARY FIVE
MATHEMATICS
PAPER 2

Name : _____ ()

Class : Primary 5 _____

Date : 14 May 2019

Total Time: 1 h 30 min

17 questions

55 marks

Parent's Signature: _____

Paper 1 Booklet A	20
Paper 1 Booklet B	25
Paper 2	55
Total Marks	100

INSTRUCTIONS TO CANDIDATES

Do not turn over this page until you are told to do so.

Follow all instructions carefully.

Answer all questions.

Write your answers in this booklet.

The use of an approved calculator is expected, where appropriate.

This booklet consists of 15 printed pages excluding the cover page.

Questions 1 to 5 carry 2 marks each. Show your working clearly in the space below each question and write your answers in the spaces provided. For questions which require units, give your answers in the units stated. All diagrams are not drawn to scale. (10 marks)

Do not write in this space

1. Harley and Dawn shared some cards in the ratio of 7 : 1. When Harley gave Dawn 27 cards, they each had the same number of cards. How many cards did Harley have at first?

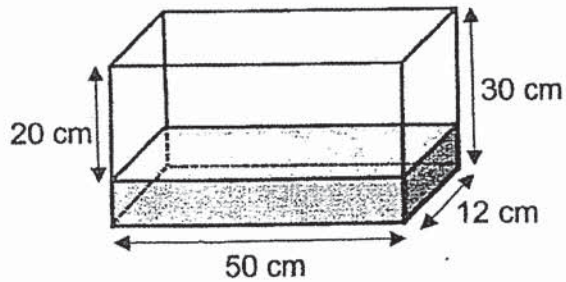
Ans: _____

2. Eric bought $2\frac{3}{4}$ kg of grapes. The grapes cost \$6 per kilogram. How much did Eric pay for the grapes?

Ans:\$ _____

3. A tank measuring 50 cm by 12 cm by 30 cm is filled with some water as shown below. Find the volume of water in the tank.

Do not write in this space



Ans: _____ cm^3

4. Daphne spent \$252 on 12 notebooks and 6 pens. The cost of 2 pens was the same as the cost of 3 notebooks. Find the cost of 1 such pen.

Ans: \$ _____

5. Clarice had some meat at first. She used $1\frac{1}{2}$ kg of it to make dumplings and bought another $3\frac{3}{4}$ kg of the same meat. She had $4\frac{1}{8}$ kg of meat in the end. How much meat did she have at first?

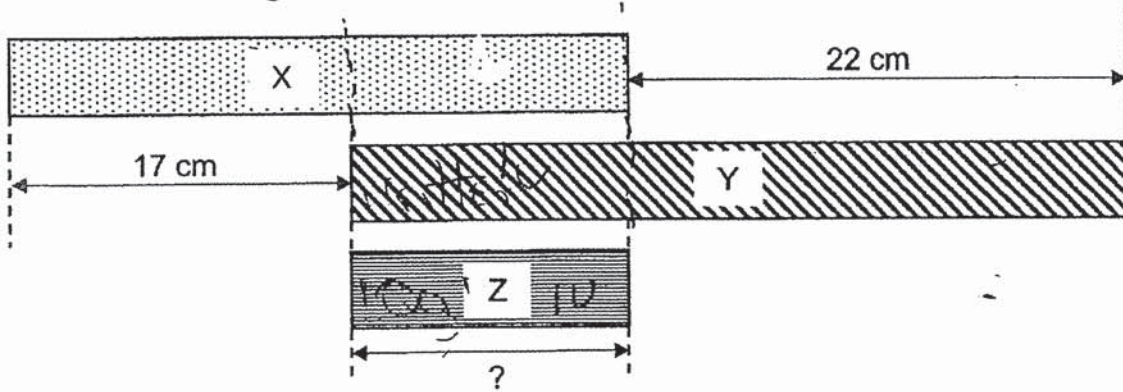
Do not write
in this space

Ans: _____ kg

For questions 6 to 17, show your working clearly in the space provided for each question and write your answers in the spaces provided. The number of marks available is shown in brackets [] at the end of each question or part-question. (45 marks)

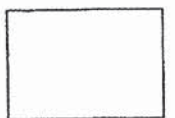
Do not write in this space

6. The diagram below shows 3 different strips of paper X, Y and Z.



Given that the total length of paper X, Y and Z is 78 cm, find the length of paper Z.

Ans: _____ [3]



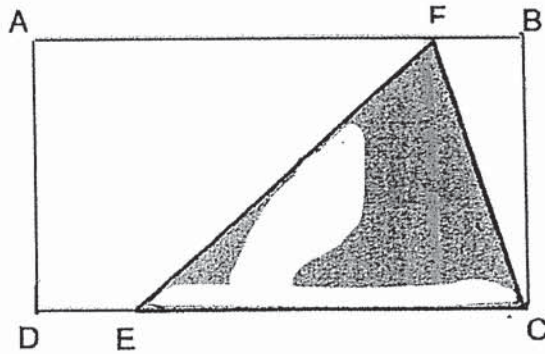
7. $\frac{1}{3}$ of John's money is equal to $\frac{4}{5}$ of David's money. John has \$392 more than David. How much money do they have altogether?

Do not write
in this space

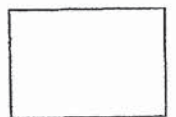
Ans: _____ [3]

8. The area of rectangle ABCD is 216 cm^2 . DE is $\frac{1}{4}$ of DC. What is the area of the shaded triangle EFC?

Do not write
in this space



Ans: _____ [3]



9. Kavitha bought 28 mangoes and pomelos. Each mango cost \$3 and each pomelo cost \$5. She paid a total of \$118 for all the fruits. How many pomelos did she buy?

Do not write
in this space

Ans: _____ [3]

10. A bakery had 480 cupcakes and 300 muffins. After selling an equal number of cupcakes and muffins, the number of cupcakes left became 4 times the number of muffins left. How many muffins were sold?

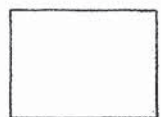
Do not write
in this space

Ans: _____ [3]

11. Davis saved $\frac{1}{7}$ of his salary and spent $\frac{5}{8}$ of the remainder on a television. He bought a camera with his remaining money. The camera cost \$360. How much was his salary?

Do not write
in this space

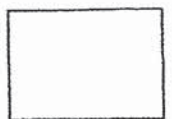
Ans: _____ [4]



12. At a class party, there were 3 times as many boys as girls. Each boy was given 3 cookies and each girl was given 2 cookies. A total of 253 cookies were given to them. How many boys were there at the class party?

Do not write
in this space

Ans: _____ [4]



13. Jenny earned \$3 for every box of food that she delivered. She received an additional \$20 for every 10 boxes of food delivered. How many boxes of food did she deliver if she earned a total of \$218?

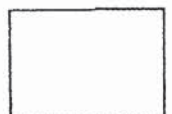
Do not write
in this space

Ans: _____ [4]

14. Chloe spent \$450 of her money on an oven and $\frac{1}{6}$ of her remaining money on a vacuum cleaner. She had $\frac{1}{3}$ of her original sum of money left after making the two purchases. How much money did Chloe have at first?

Do not write
in this space

Ans: _____ [4]



15. A tank is $\frac{2}{3}$ filled with water. Some water from the tank is poured into an empty container measuring 20 cm by 30 cm by 15 cm to fill it up. 168 cm³ of water is left in the tank. What is the capacity of the tank?

Do not write
in this space

Ans: _____ [4]



16. 6 identical notebooks cost as much as 14 identical staplers. Each notebook costs \$5.80 more than each stapler. Find the total cost of a notebook and a stapler.

Do not write
in this space

Ans: _____ [5]

17. Jovan spent $\frac{1}{6}$ of his money and an additional \$15 on a wallet. He spent $\frac{1}{4}$ of the remaining money and an additional \$10 on a belt. He was left with \$65. How much did he have at first?

Do not write
in this space

Ans: _____ [5]

END OF PAPER 2

YEAR : 2019
LEVEL : PRIMARY 5
SCHOOL : CATHOLIC HIGH SCHOOL
SUBJECT : MATHEMATICS
TERM : MID-YEAR EXAMINATION

PAPER 1
BOOKLET A

Q1	Q2	Q3	Q4	Q5	Q6	Q7	Q8	Q9	Q10
3	1	4	4	3	3	1	2	4	2
Q11	Q12	Q13	Q14	Q15					
1	4	2	1	3					

BOOKLET B

Q16. 5002007

Q17. 11

Q18. 6

Q19. 5:3:4

Q20. 609000

Q21. 3.6

Q22. $\frac{5}{16}$

Q23. 20 books

Q24. 240cm

Q25. (a) True

(b) False

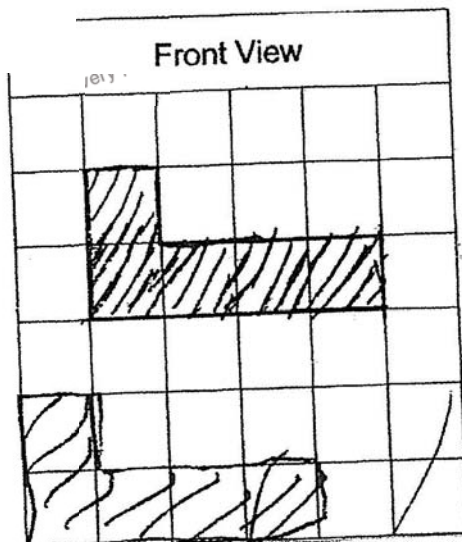
Q26. $\frac{1}{8}$

Q27. \$42

Q28. \$50

Q29.

Q30.



PAPER 2

Q1. $7 - 1 = 6$
 $6 \div 2 = 3$
 $3u \rightarrow 27$
 $1u \rightarrow 9$
 $7u \rightarrow 9 \times 7$
 $= 63$

Q2. $\$6 \times 2\frac{3}{4} = \16.50

Q3. $30 - 20 = 10$
Volume of water $\rightarrow 50 \times 12 \times 10$
 $= 6000\text{cm}^3$

Q4. **Cost of 2 pens = cost of 3 notebooks**
Cost of 8 pens = cost of 12 notebooks
 $6 + 8 = 14$
Cost of 14 pens $\rightarrow \$252$
Cost of 1 pen $\rightarrow \$252 \div 14$
 $= \$18$

Q5. Amount of meat at first $\rightarrow 4\frac{1}{8} - 3\frac{3}{4} + 1\frac{1}{2}$
 $= 1\frac{7}{8}\text{kg}$

Q6. $3u \rightarrow 78 - 17 - 22$
 $= 39\text{cm}$
Length of Z = $1u$
 $= 39 \div 3$
 $= 13\text{cm}$

Q7. $\frac{1}{3}$ of John's money = $\frac{4}{5}$ of David's money
 $\frac{4}{11}$'s money = $\frac{4}{5}$ of David's money
 $12u - 5u = 7u$
 $7u \rightarrow \$392$
 $1u \rightarrow \$56$
 $12u + 5u = 17u$
Total amount of money $\rightarrow 17u$
 $= 17 \times \$56$
 $= \$952$

Q8. $4u \rightarrow 216\text{cm}^2$
 $1u \rightarrow 54\text{cm}^2$
 $3u \rightarrow 54 \times 3$
 $= 162\text{cm}^2$
Area of triangle EFC $\rightarrow \frac{1}{2} \times 162$
 $= 81\text{cm}^2$

Q9. Assume all are mangoes,
Cost $\rightarrow \$3 \times 28$
 $= \$84$
Difference $\rightarrow \$118 - \84
 $= \$34$
 $\$5 - \$3 = \$2$
No. of pomelos $\rightarrow \$34 \div \2
 $= 17$

Q10. $3u \rightarrow 480 - 300$
 $= 180$
 $1u \rightarrow 60$
No. of muffins sold $\rightarrow 300 - 60$
 $= 240$

Q11. $\frac{3}{8} \times \frac{6}{7} = \frac{9}{28}$
 $\frac{9}{28}$ of salary $\rightarrow \$360$
 $\frac{1}{28}$ of salary $\rightarrow \$40$
Salary $\rightarrow \$40 \times 28$
 $= \$1120$

Q12. $3 \times 3 = 9$
 $9 + 2 = 11$
 $23 \div 11 = 23$
No. of boxes $\rightarrow 23 \times 3$
 $= 69$

Q13. $\$3 \times 10 = \30
 $\$30 + \$20 = \$50$
 $\$218 \div \$50 = 4 \text{ r } \$18$
 $\$18 \div \$3 = 6$
No. of boxes $\rightarrow (4 \times 10) + 6$
 $= 46$

Q14. $\frac{5}{6}$ of remainder = $\frac{1}{3}$ of total

$$\frac{5}{6} \text{ of remainder} = \frac{5}{15} \text{ of total}$$

$$1 - \frac{5}{15} - \frac{1}{15} = \frac{9}{15}$$

$$\frac{9}{15} \text{ of total} \rightarrow \$450$$

$$\frac{1}{15} \text{ of total} \rightarrow \$50$$

$$\begin{aligned} \text{Total} &\rightarrow \$50 \times 15 \\ &= \$750 \end{aligned}$$

Q15. Volume of water in container $\rightarrow 20 \times 30 \times 15$
 $= 9000\text{cm}^3$

$$\begin{aligned} \text{Volume of water in tank} &\rightarrow 9000 + 168 \\ &= 9168\text{cm}^3 \end{aligned}$$

$$\begin{aligned} \text{Capacity of tank} &\rightarrow 9168 \times \frac{3}{2} \\ &= 13752\text{cm}^3 \end{aligned}$$

Q16. $14 - 6 = 8$

$$\begin{aligned} \text{Cost of 8 staplers} &\rightarrow 6 \times \$5.80 \\ &= \$34.80 \end{aligned}$$

$$\begin{aligned} \text{Cost of 1 stapler} &\rightarrow \$34.80 \div 8 \\ &= \$4.35 \end{aligned}$$

$$\begin{aligned} \text{Total cost} &\rightarrow \$4.35 + (\$4.35 + \$5.80) \\ &= \$14.50 \end{aligned}$$

Q17. $\frac{3}{4}$ of remainder $\rightarrow \$65 + \10
 $= \$75$

$$\begin{aligned} \text{Remainder} &\rightarrow \$75 \times \frac{4}{3} \\ &= \$100 \end{aligned}$$

$$\begin{aligned} \frac{5}{6} \text{ of total} &\rightarrow \$100 + \$15 \\ &= \$115 \end{aligned}$$

$$\begin{aligned} \text{Total} &= 115 \times \frac{6}{5} \\ &= 138 \end{aligned}$$

END-OF-PAPER