

Anglo-Chinese School (Junior)



SEMESTRAL ASSESSMENT 1 (2017)

PRIMARY 5

MATHEMATICS

PAPER 1

Booklet A

Monday

15 May 2017

1h

Name: _____ (Class: 5.()

INSTRUCTIONS TO PUPILS

- 1 Do not turn over the pages until you are told to do so.
- 2 Follow all instructions carefully.
- 3 Answer ALL questions.
- 4 Shade your answers in the Optical Answer Sheet (OAS) provided.
- 5 You are not allowed to use a calculator for this paper.

This question paper consists of 7 printed pages (inclusive of cover page).

Questions 1 to 10 carry 1 mark each. Questions 11 to 15 carry 2 marks each.
For each question, four options are given. One of them is the correct answer. Make
your choice (1, 2, 3 or 4). Shade the correct oval (1, 2, 3 or 4) on the Optical Answer
Sheet (OAS). (20 marks)

1. In 9 243 678, the digit 4 is in the _____ place.

- 1) hundreds
- 2) thousands
- 3) ten thousands
- 4) hundred thousands

2. What is the value of $\frac{4}{7}$ of 84 ?

- 1) 12
- 2) 16
- 3) 21
- 4) 48

3. Which of the following is not the same as $22 \div 8$?

- 1) $\frac{11}{4}$
- 2) $2\frac{1}{2}$
- 3) $2\frac{6}{8}$
- 4) 2.75

4. $7\ 250\ 720 = 7\ 000\ 000 + 25 \times \boxed{} + 700 + 20$

What is the missing number in the box?

- 1) 100
- 2) 1000
- 3) 10 000
- 4) 100 000

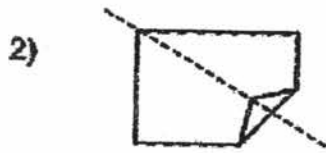
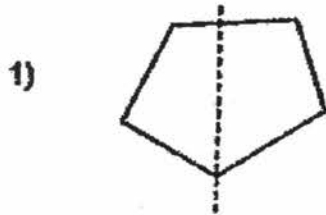
5. In the table below, Coach Ong recorded the number of successful throws his students made in a training session.

Number of successful throws	0	1	2	3	4
Number of students	4	10	15	8	2

How many pupils made 2 or more successful throws?

- 1) 10
- 2) 14
- 3) 25
- 4) 29

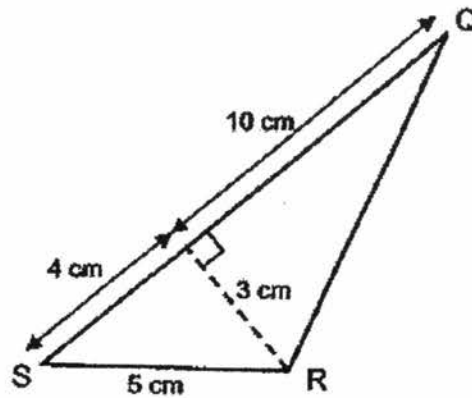
6. Which one of the figures below has a line of symmetry?



7. What is 3 h 15 min before noon?

- 1) 3.15 p.m.
- 2) 8.45 a.m.
- 3) 8.45 p.m.
- 4) 9.45 a.m.

8. What is the area of triangle QRS as shown in the figure below?



- 1) 20 cm^2
2) 21 cm^2
3) 35 cm^2
4) 42 cm^2
9. $18 : 63 = 2 : \square$
Find the missing number in the box.
- 1) 7
2) 9
3) 45
4) 567
10. There is 20 ml of water in Container A and 2 litres of water in Container B. What is the ratio of the amount of water in Container A to the amount of water in Container B?
- 1) 1 : 10
2) 1 : 100
3) 1 : 1000
4) 1 : 10000

11. Mrs Lee had 40 kg of flour. She used $\frac{3}{8}$ of it to bake some cakes and gave $\frac{1}{5}$ of it to her neighbour. How much flour was she left?

- 1) 8 kg
- 2) 15 kg
- 3) 17 kg
- 4) 23 kg

12. Wei Jie was facing South-West. He made a $\frac{3}{4}$ anti-clockwise turn. He then made a 135° clockwise turn. Which direction is he facing now?

- 1) North
- 2) East
- 3) South-East
- 4) North-East



13. The ratio of the number of stamps Ali has to the number of stamps Ben has is 2 : 5. Given that Ben has 420 more stamps than Ali, how many stamps does Ben have?

- 1) 300
- 2) 700
- 3) 980
- 4) 1050

14. A shop gave a discount of \$5 for every \$20 spent. Joshua bought a watch from the shop and paid \$58. What was the price of the watch before the discount?
- 1) \$68
2) \$73
3) \$78
4) \$83
15. A table with 4 columns is filled with numbers in a certain pattern. The first 6 rows of the tables are shown below.

	Column W	Column X	Column Y	Column Z
Row 1	1	2	3	4
Row 2	7	6	5	5
Row 3	8	9	10	10
Row 4	14	13	12	11
Row 5	15	15	16	17
Row 6	20	20	19	18
⋮	⋮	⋮	⋮	⋮

In which column, will the number 151 appear?

- 1) W
2) X
3) Y
4) Z

END OF BOOKLET A

Questions 16 to 20 carry 1 mark each. Write your answers in the spaces provided. For questions which require units, give your answers in the units stated. (5 marks)

16. What is the value of $238 + (48 - 36) + 3 \times 7$?

Ans: _____

17. How many tenths are there in $2\frac{2}{5}$?

Ans: _____

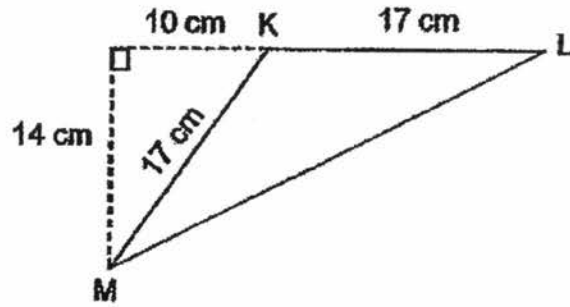
18. Sue had 2 fifty-dollar notes in her wallet. After buying some books at a book fair, she had \$49.95 left. How much did she spend on the books?

Ans: \$ _____

B2

Sub-Total :

19. The figure below is not drawn to scale. Find the area of triangle KLM.



Ans: _____ cm²

20. A box contains 28 red balls, 12 blue balls and 6 yellow balls. Find the ratio of the number of red balls to the number of the blue balls and to the number of the yellow balls. Give your answer in its simplest form.

Ans: _____

B3

Sub-Total :

Questions 21 to 30 carry 2 marks each. Show your working clearly and write your answers in the spaces provided. For questions which require units, give your answers in the units stated. (20 marks)

21. A fruit seller puts a total of 120 apples in two boxes. There are 7 times as many apples in Box A as in Box B. How many more apples are there in Box A than in Box B?

Ans: _____

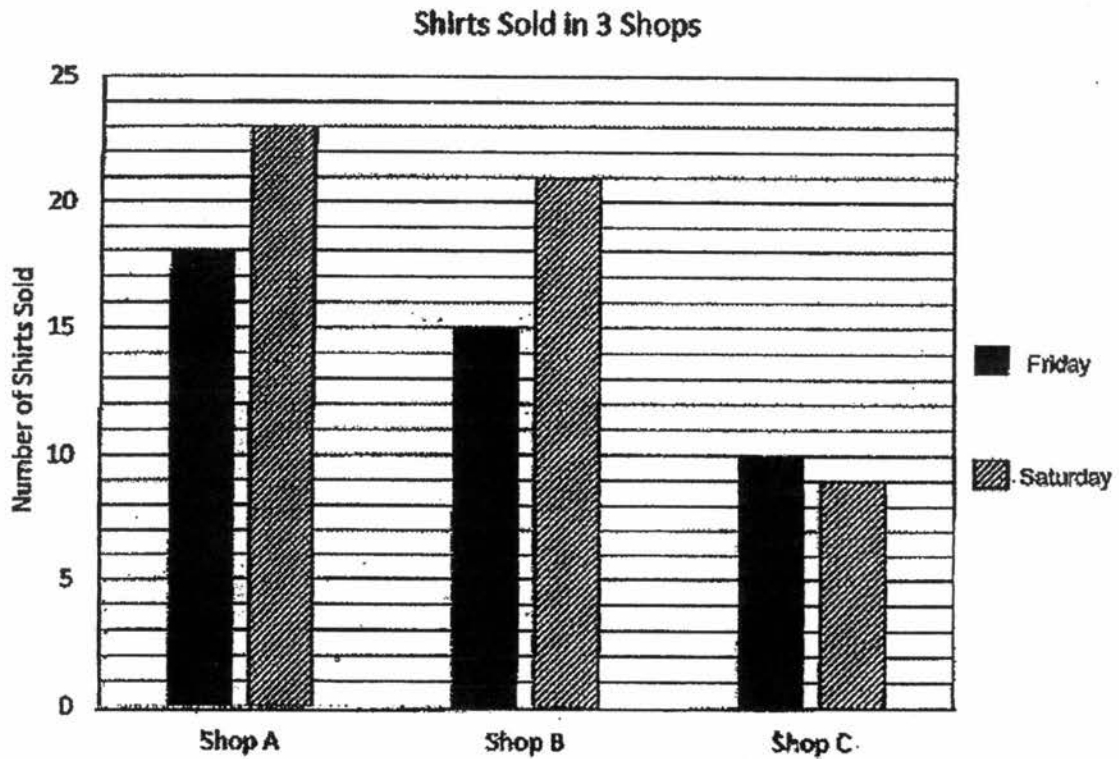
22. Mary and Rena cut a rope of 4 m into two pieces. Mary's rope is 4 times as long as Rena's rope. How long is Mary's rope? Give your answer as a mixed number in its simplest form.

Ans: _____m

B4

Sub-Total :

23. The bar graph below shows the number of shirts sold by 3 shops on Friday and Saturday.



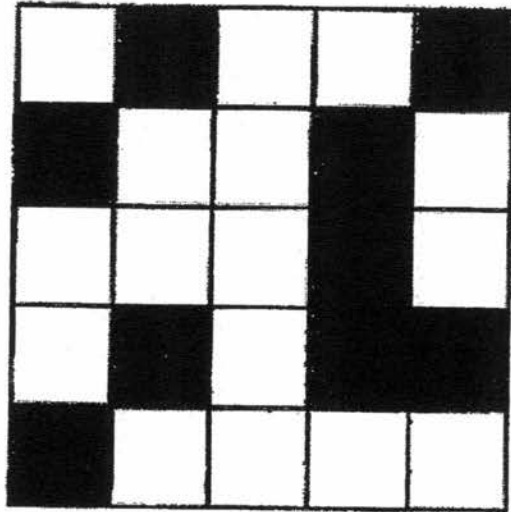
Find the difference between the total number of shirts sold by the 3 shops on Saturday and on Friday?

Ans: _____

B5

Sub-Total :

24. The figure below is made up of squares.
Shade two more squares so that the figure has a line of symmetry.



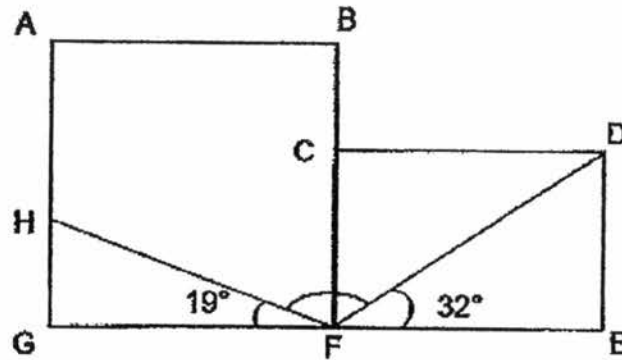
25. Faris, Giri and Henry shared some money in the ratio 7 : 5 : 3.
Faris received \$42. How much more money did Giri receive than Henry?

Ans: \$ _____

B6

Sub-Total :

26. In the figure below, ABFG is a square and CDEF is a rectangle. $\angle DFE = 32^\circ$ and $\angle HFG = 19^\circ$. Find $\angle HFD$.



Ans: _____^o

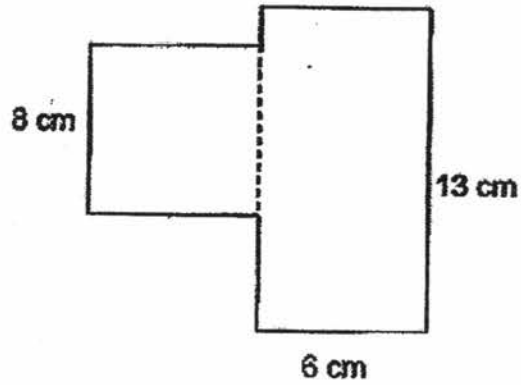
27. Emily has some red and green beads. $\frac{7}{11}$ of the beads are green. She has 210 more green beads than red beads. Find the number of green beads Emily has.

Ans: _____

B7

Sub-Total :

28. The figure below is made up of a square and a rectangle. Find the perimeter of the figure.



Ans: _____ cm

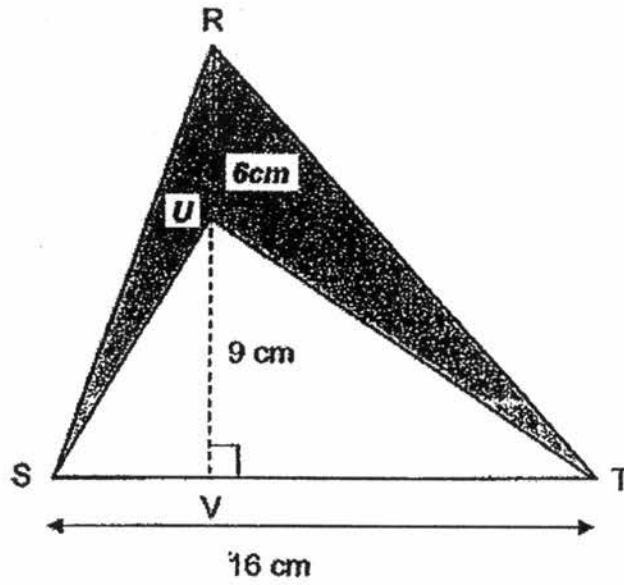
29. Mr See has some marbles to give to his pupils. If he gives each of his pupils 4 marbles, he will have 68 marbles left. If he gives each of his pupils 6 marbles, there will be no remainder. How many marbles does Mr See have?

Ans _____

B8

Sub-Total :

30. In triangle RST, $RU = 6$ cm, $UV = 9$ cm and $ST = 16$ cm. Find the area of the shaded part.



Ans: _____ cm^2

END OF BOOKLET B

B9

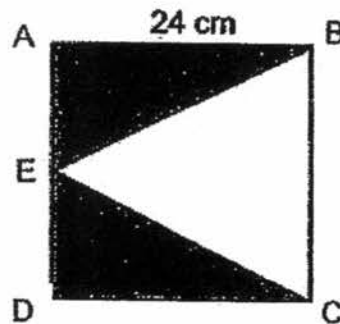
Sub-Total :

Questions 1 to 5 carry 2 marks each. Show your working clearly and write your answers in the spaces provided. For questions which require units, give your answers in the units stated. (10 marks)

1. Jeremy went to watch a Star Wars movie that lasted for 2 h 13 min. The movie ended at 00 08 the next day. At what time did the movie start? (Give your answer in the 24-hour clock format.)

Ans: _____

2. In the figure below, ABCD is a square and BCE is a triangle. Find the area of the shaded part.



Ans: _____ cm²

3. Nigel and Reuben share a sum of money in the ratio 4 : 5. After giving away \$457, Reuben has \$1538 left. Find the sum of money shared by Nigel and Reuben.

Ans: \$ _____

4. Mdm Sharifah bought $2\frac{4}{5}$ kg of prawns. She bought $3\frac{2}{7}$ kg of prawns less than Mdm Tan. What was the total mass of prawns bought by Mdm Sharifah and Mdm Tan? Leave your answer in mixed number in its simplest form.

Ans: _____ kg

5. Mr Tan paid a total of \$3840 for his new television set. He paid \$600 at first. For the remaining amount, he paid a fixed amount every month for the next 24 months. How much did he pay each month?

Ans: \$ _____

For Questions 6 to 17, show your working clearly and write your answers in the spaces provided. The number of marks available is shown in brackets [] at the end of each question or part-question. (45 marks)

6. Ravi bought 18 more egg tarts than Ailing. Jessie bought 3 times as many egg tarts as Ravi. All the three girls bought a total of 187 egg tarts. How many egg tarts did Ravi and Ailing buy altogether?

Ans: _____ [3]

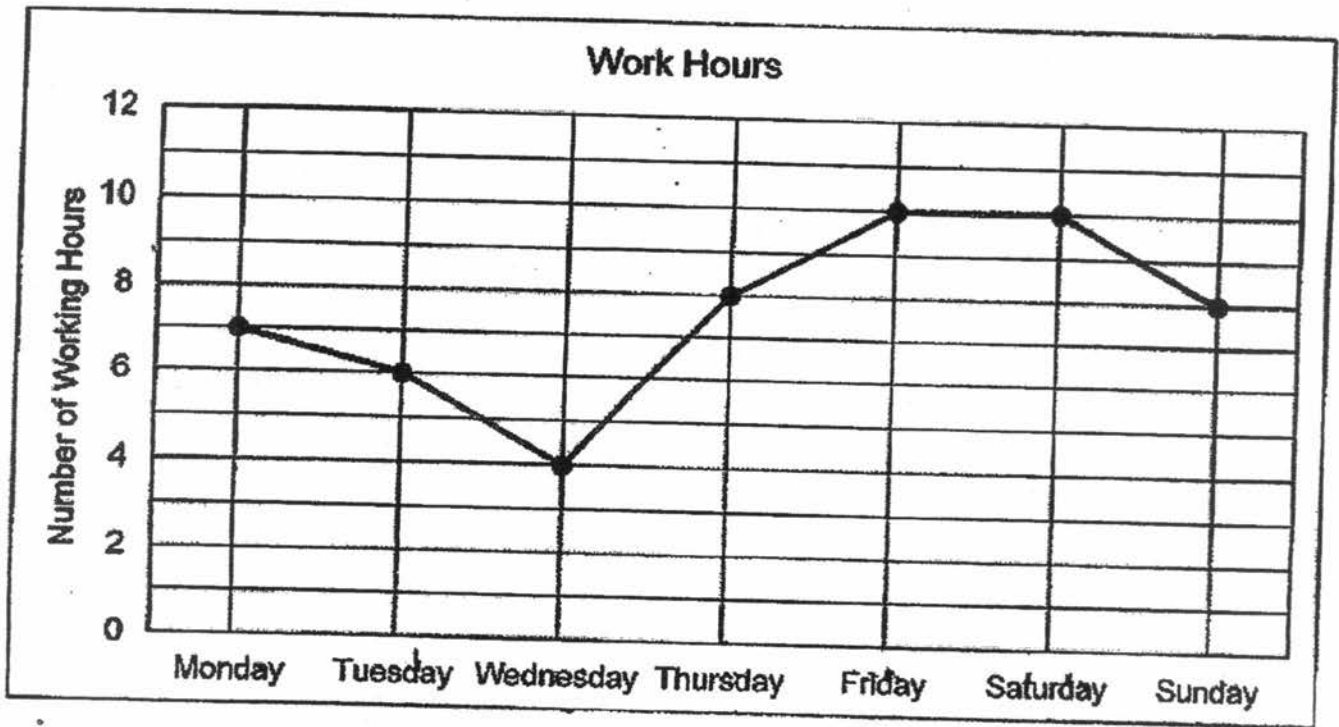
7. Paul had a box of stickers. He gave 358 stickers to Joseph and 424 stickers to Vincent. After that, he gave half of the number of the stickers he had left to Joel. Paul had 364 stickers in the end. How many stickers did Paul have at first?

Ans: _____ [3]

5

Sub-Total :

8. The line graph below shows the number of hours a waiter worked in a week.



- a) How many hours did the waiter work in the week?
- b) The waiter is paid \$8 an hour from Monday to Friday and \$12 an hour on Saturday and Sunday. Calculate the waiter's total pay for the week.

Ans: (a) _____ [1]

(b) _____ [2]

9. There were 138 adults and some children at a concert. $\frac{2}{3}$ of the children were boys and the rest were girls. Given that $\frac{2}{9}$ of the people at the concert were girls, how many people were at the concert?

Ans: _____ [3]

10. Mrs Heng made a fruit drink using apple, orange and kiwi juice in the ratio 2 : 5 : 4. The total amount of apple and kiwi juice used was 12 litres. Find the total amount of the mixed fruit drink Mrs Heng had made.

Ans: _____ [3]

11. A salesperson sells bags for a shop. She is paid \$6 for every bag she sells. The salesperson is also paid an extra \$5 for every 10 bags she sells.

a) How much will she earn altogether for selling 10 bags?

b) How much will she earn altogether for selling 125 bags?

Ans: (a) _____ [1]

(b) _____ [3]

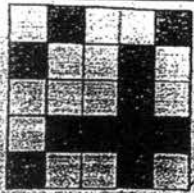
SCHOOL : ANGLO-CHINESE PRIMARY SCHOOL
LEVEL : PRIMARY 5
SUBJECT : MATH
TERM : 2017 SA1

PAPER 1 BOOKLET A

Q1	Q2	Q3	Q4	Q5	Q6	Q7	Q8	Q9	Q10
3	4	2	3	3	3	2	2	1	2

Q11	Q12	Q13	Q14	Q15
3	2	2	2	4

PAPER 1 BOOKLET B

Q16)	266
Q17)	24
Q18)	50.05
Q19)	119
Q20)	14:6:3
Q21)	$7 + 1 = 8$ $120/8 = 15$ $6U = 15 \times 6 = 90$
Q22)	$5U \rightarrow 4m$ $1U \rightarrow 4/5 m$ $4U \rightarrow 4/5 m \times 4 = 16/5 = 3 \frac{1}{5}$
Q23)	$23 - 18 = 5$ $21 - 15 = 6$ $5 + 6 - 1 = 10$
Q24)	
Q25)	$5 - 3 = 2$ $6 \times 2 = 12$
Q26)	$19 + 32 = 51$ $180 - 51 = 129$

Q27)	$210/3 = 70$ $70 \times 7 = 490$
Q28)	$8 + 6 + 13 \times 2 = 54$
Q29)	$6 - 1 = 2$ $68/2 = 34$ $34 \times 6 = 204$
Q30)	$\frac{1}{2} \times 16 \times 15 = 120$ $\frac{1}{2} \times 16 \times 9 = 72$ $120 - 72 = 48$

PAPER 2

Q1)	2155
Q2)	$24 \times 12 = \underline{288}$
Q3)	$5U \rightarrow 1538 + 457 = 1995$ $1U \rightarrow 1995/5 = 399$ $9U \rightarrow 399 \times 9 = \underline{3591}$
Q4)	$6 \frac{3}{35} + 2 \frac{28}{35} = \underline{8 \frac{31}{35}}$
Q5)	$3840 - 600 = 3240$ $3240/24 = \underline{135}$
Q6)	$187 + 18 = 205$ $205/5 = 41$ $41 + 41 = 82$ $82 - 18 = \underline{64}$
Q7)	$364 + 364 = 728$ $728 + 358 + 424 = \underline{1510}$
Q8)	(a) $7 + 6 + 4 + 8 + 10 + 10 + 8 = \underline{53}$ (b) $7 \times 8 + 6 \times 8 + 4 \times 8 + 8 \times 8 + 10 \times 8 = 280$ $10 \times 12 + 8 \times 12 = 216$ $\$280 + \$216 = \underline{\$496}$
Q9)	$2/9 + 4/9 = 6/9$ Adults— $138/3 = 46$ People— $46 \times 9 = \underline{414}$
Q10)	<u>A : O : K</u> $2 : 5 : 4$ $6 : 15 : 12$ $2 + 4 = 6$ $6U \rightarrow 12$ $1U \rightarrow 12/6 = 2$

11U → 22 (Ans : 22L)

- Q11) a) $\$6 \times 10 + \$5 = \underline{\$65}$
b) $\$65 \times 12 = \780
 $\$780 + \$6 \times 5 = \underline{\$810}$

- Q12) a) $1 - 1/5 = \underline{4/5}$
b) $3/4 m = 4/5J$
 $12/16m = 12/15J$
 $16 + 15 = 31$
 $31u = 775$
 $1u = 775/31 = 25$
 $15u = 25 \times 15 = 375$ (Ans : \$375)

- Q13) (a) $16 \times 16 = 256$
 $14 \times 12 = 168$
 $168 + 256 = \underline{424 \text{ cm}^2}$
(b) $1/2 \times 12 \times 14 = 84\text{cm}^2$
 $1/2 \times 30 \times 16 = 240\text{cm}^2$
 $240 + 84 = 324\text{cm}^2$
 $424 - 324 = \underline{100\text{cm}^2}$

- Q14) (a) 25, 29
(b) $(20 \times 4) + 5 = \underline{85}$
(c) $85 + 9 = 94$ (first number adds with the last number)
 $20/2 = 10$ (sets)
 $94 \times 10 = \underline{940}$

- Q15) (a) $W \rightarrow 3u$
 $X \rightarrow 1u$
 $Y \rightarrow 6u$
 $Y : X$
6 : 1
(b) $6 - 1 = 5$
 $195/5 = 39$
 $39 \times 10 = 390$
 $390/8 = 48 \text{ R}6$
 $48 + 1 = \underline{49}$

- Q16) (a) Brent
(b) $86 - 65 = 21$
(c) $30 + 10 = 140$
 $140/5 = \underline{28}$

- Q17) (a) $6/3 = 2$
(b) $6S \rightarrow 2TS$
 $2T + 10 = 12T$
 $2u = 12$
 $1u = 6$

$$5u = 30$$

$$30 - 2 = \underline{28}$$