



**CATHOLIC HIGH SCHOOL
CA2 EXAMINATION 2017
MATHEMATICS
PRIMARY 5**

Name : _____ ()

Class: Primary 5 _____

Date: 22 August 2017

Duration: 1 h 30 min

Parent's Signature: _____

Section A	16
Section B	20
Section C	14
Total Marks	50

There are 3 sections consisting of 11 pages in this paper.

Section A

Questions 1 to 6 carry 1 mark each. Questions 7 to 11 carry 2 marks each. For each question, four options are given. One of them is the correct answer. Make your choice (1, 2, 3 or 4). Shade the correct oval on the Optical Answer Sheet. (16 marks)

1. Which one of the following numbers is the greatest?

- (1) 0.7
 - (2) 0.73
 - (3) 0.703
 - (4) 0.731
-

2. In 5.642, what does the digit 4 stand for?

- (1) 4 ones
 - (2) 4 tens
 - (3) 4 tenths
 - (4) 4 hundredths
-

3. Which one of the following is the same as 83.07 km?

- (1) 83 km 7 m
 - (2) 83 km 70 m
 - (3) 830 km 7 m
 - (4) 830 km 70 m
-

4. Express 1.4 as a percentage.

- (1) 0.14%
 - (2) 1.4%
 - (3) 14%
 - (4) 140%
-

5. Express 60 cm^3 in litres.

- (1) 0.06 l
 - (2) 0.6 l
 - (3) 6000 l
 - (4) 60000 l
-

6. Which one of the following has the same value as 9.35?

- (1) 935×100
 - (2) $935 + 100$
 - (3) 935×1000
 - (4) $935 + 1000$
-

7. Jo bought a ribbon and used 1.75 m of it. She then cut the remaining ribbon into 10 pieces, each 0.25 m long. What was the length of the ribbon that she bought?

- (1) 2.00 m
 - (2) 2.5 m
 - (3) 4.25 m
 - (4) 12.75 m
-

8. Alan received an allowance of \$150. He saved \$60 of his allowance and spent the rest. What percentage of his allowance did he spend?

- (1) 40%
 - (2) 60%
 - (3) 90%
 - (4) 135%
-

9. A cubical tank of edge 6 cm is half-filled with water. How much more water is needed to fill the cubical tank completely?

- (1) 18 cm^3
 - (2) 36 cm^3
 - (3) 108 cm^3
 - (4) 216 cm^3
-

10. The usual price of a bag is \$80. The bag was sold at a 20% discount. What was the price of the bag after the discount?

- (1) \$16
 - (2) \$60
 - (3) \$64
 - (4) \$96
-

11. Minghao paid \$20 for 40 cupcakes. What was the cost of 3 cupcakes?

- (1) \$0.50
 - (2) \$1.50
 - (3) \$2.00
 - (4) \$6.00
-

---END OF SECTION A---

Section B

Questions 12 to 21 carry 2 marks each. Write your answers in the space provided. For questions which require units, give your answers in the unit stated. (20 marks)

Do not write in this space.

12. A rope measuring 28.8 m is cut into two pieces. The longer piece is twice as long as the shorter piece. Find the length of the shorter piece.

Ans: _____ m

13. At a stall, oranges were sold at 4 for \$4.20. How much would 800 oranges cost?

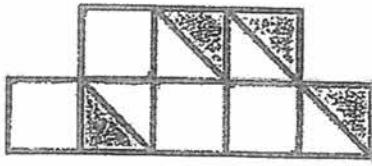
Ans: \$ _____

14. The base of a cuboid is a square of edge 5 cm. The height of the cuboid is twice its length. Find its volume.

Ans: _____ cm³

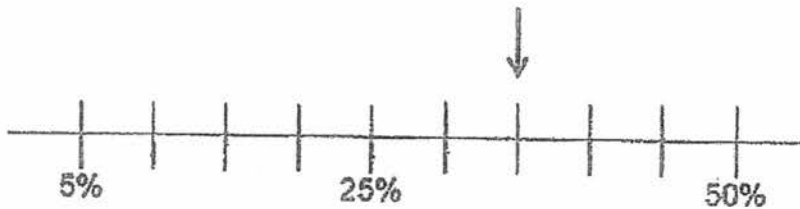
15. The figure below is made up of 8 identical squares. 4 of the squares are cut into 2 equal parts. What percentage of the figure is unshaded?

Do not write in this space.



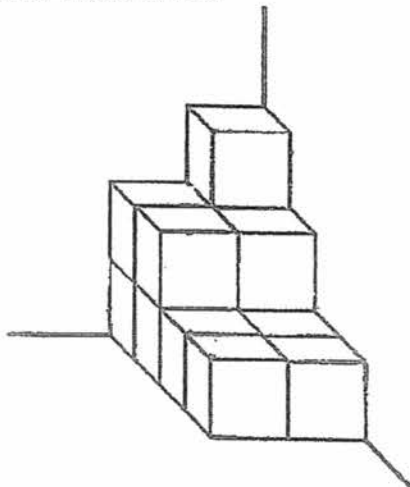
Ans: _____ %

16. In the number line below, what is the percentage indicated by the arrow?



Ans: _____ %

17. The following solid is made up of 1-cm cubes. How many cubes are there in the solid?



Ans: _____

18. The height of a stack of 200 similar workbooks is 8.6 m. Given that all the workbooks are the same height, find the height of one workbook.

Do not write
in this space.

Ans: _____ m

19. Peter took a \$50 000 renovation loan from a bank. He paid 5% interest to the bank in the first year. How much interest did he pay the bank in the first year?

Ans: \$ _____

20. Ahmad bought a computer which included a GST of 7%. The price of the computer before GST was \$1800. How much did Ahmad pay for the computer?

518

Ans: \$ _____

21. The table below shows the number of books sold at ANZ bookshop from Monday to Wednesday.

Do not write
in this space.

Days	Monday	Tuesday	Wednesday
Number of books sold	68	55	27

What percentage of the total number of books was sold on Wednesday?

Ans: _____ %

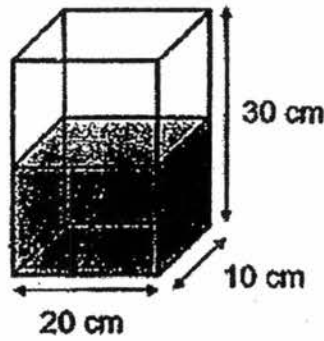
---END OF SECTION B---

Section C

For questions 22 to 25, show your working clearly and write your answers in the space provided. The number of marks available is shown in the brackets [] at the end of each question or part-question. (14 marks)

Do not write in this space.

22. A rectangular tank measuring 20 cm by 10 cm by 30 cm is half filled with water. 180 ml of water is removed. What is the volume of water left in the tank?



Ans: _____ [3]

23. There are 2500 people in an auditorium. 42% of the people in the auditorium are women. 35% of the people are men. The rest of the people are children.

Do not write
in this space.

- a) What percentage of the people in the auditorium are children?
- b) How many more women than men are there in the auditorium?

Ans: a) _____ [1]

Ans: b) _____ [2]

24. Amanda paid \$188.80 for a dress, a jacket and a bag. The dress cost \$30.50 less than the jacket, while the bag cost \$22.80 more than the jacket. Find the cost of the dress.

Do not write
in this space.

Ans: _____ [4]

25. Jug A contained 2.8 l of water. Jug B contained 4.4 l of water. After an equal amount of water was removed from each jug, Jug B now has 5 times as much water as Jug A. How much water was removed from each jug?

Do not write
in this space.

Ans: _____ [4]

--- END OF PAPER---

EXAM PAPER 2017 (P5)

SCHOOL : CATHOLIC HIGH SCHOOL

SUBJECT : MATHEMATICS

TERM : CA2

SECTION A

Q1	Q2	Q3	Q4	Q5	Q6	Q7	Q8	Q9	Q10
4	4	2	4	1	2	3	2	3	3
Q11									
2									

SECTION B

Q12) 9.6

Q13) 840

Q14) 250

Q15) 75

Q16) 35

Q17) 13

Q18) 0.043

Q19) 2500

Q20) 1926

Q21) 18

SECTION C

Q22) VOLUME OF TANK $\rightarrow 20 \times 10 \times 30 = 6000$

VOLUME OF WATER IN TANK $\rightarrow 6000 \times \frac{1}{2} = 3000$

VOLUME OF WATER LEFT $\rightarrow 3000 - 180 = \underline{2820}$

Q23) WOMEN $\rightarrow 42\%$

MEN $\rightarrow 35\%$

CHILDREN $\rightarrow 100\% - 35\% - 42\% = \underline{23\%}$

100% $\rightarrow 2500$

1% $\rightarrow 2500 \div 100\% = 25$

DIFFERENCE IN WOMEN AND MEN $\rightarrow 42\% - 35\% = 7\%$

7% $\rightarrow 25 \times 7\% = \underline{175}$

Q24) 3 UNITS $\rightarrow \$188.80 - \$30.50 - \$30.50 - \$22.80 = \$105.00$

1 UNIT $\rightarrow \$105 \div 3 = \underline{\$35.00}$

Q25) 4 UNITS $\rightarrow 4.4 - 2.8 = 1.6$

1 UNIT $\rightarrow 1.6 \div 4 = 0.4$

$2.8 - 0.4 = \underline{2.4}$