



MARIS STELLA HIGH SCHOOL (PRIMARY)

PRIMARY 5 MATHEMATICS

TERM 2 WEIGHTED ASSESSMENT

11 MAY 2021

27 questions

50 marks

Total Time: 1 h 15 min

<p>NAME: _____ ()</p> <p>CLASS: PRIMARY 5 _____</p>
--

YOU ARE NOT ALLOWED TO USE A CALCULATOR.

DO NOT OPEN THIS BOOKLET UNTIL YOU ARE TOLD TO DO SO.

FOLLOW ALL INSTRUCTIONS CAREFULLY.

ANSWER ALL QUESTIONS.

MARKS OBTAINED		
TOTAL	/ 50	Date: _____

Section A: 21 marks

Questions 1 to 5 carry 1 mark each. Questions 6 to 13 carry 2 marks each.
 For each question, four options are given. One of them is the correct answer.
 Make your choice (1, 2, 3 or 4) and write the correct answer in the brackets provided.

1. $4\ 830\ 540 = 4\ 000\ 000 + \underline{\hspace{2cm}} + 500 + 40$

(1) 80 000

(2) 800 000

(3) 803 000

(4) 830 000

()

2. What is the value of $28\ 000 \div 400$?

(1) 7

(2) 70

(3) 700

(4) 7000

()

3. $\frac{2}{7} + \frac{2}{7} + \frac{2}{7} + \frac{2}{7} + \frac{2}{7} + \frac{2}{7} = \underline{\hspace{1cm}} \times \frac{2}{7}$

(1) 12

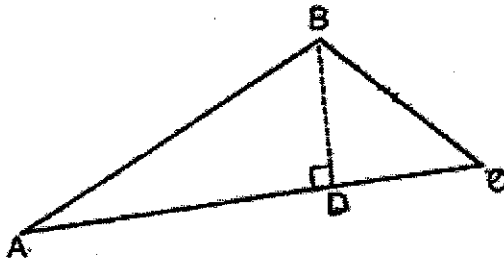
(2) 2

(3) 6

(4) 10

()

4. In the figure below, ABC is a triangle.



Given that BD is the height of triangle ABC, what is its base?

- (1) AC
 (2) AD
 (3) BC
 (4) DC ()

5. Find the product of 80 and $\frac{2}{5}$.

- (1) 16
 (2) 32
 (3) 40
 (4) 48 ()

6. There are 42 females and 38 males. Express the ratio of the number of females to the total number of females and males.

- (1) 19 : 21
 (2) 19 : 40
 (3) 21 : 19
 (4) 21 : 40 ()

7. $\frac{2}{3}$ of a number is 12. What is the number?

- (1) 6
 (2) 8
 (3) 18
 (4) 36

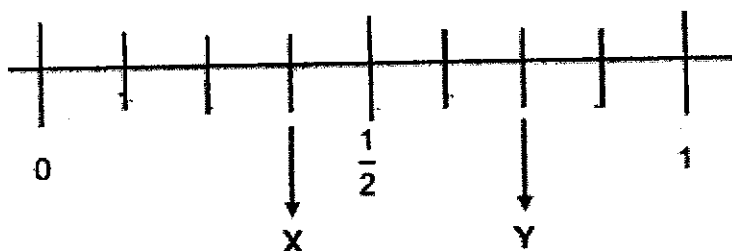
()

8. The ratio of the number of yellow balloons to the number of red balloons is 3 : 2. There are 120 yellow balloons. How many red balloons are there?

- (1) 40
 (2) 80
 (3) 60
 (4) 180

()

9. Look at the scale below.



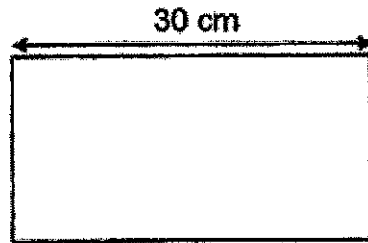
What are the values of X and Y?

	X	Y
(1)	$\frac{3}{9}$	$\frac{7}{9}$
(2)	$\frac{3}{8}$	$\frac{6}{8}$
(3)	$\frac{3}{4}$	$\frac{2}{4}$
(4)	$\frac{3}{4}$	$\frac{6}{8}$

()

SCORE
 (Go on to the next page)

10.



The length and breadth of a rectangle are in the ratio 3 : 2. Find the perimeter of the rectangle.

- (1) 20 cm
- (2) 50 cm
- (3) 100 cm
- (4) 600 cm ()

11. Devi and Siti baked 1200 cookies. Alice and Siti baked 900 cookies. Devi baked 4 times as many cookies as Alice. How many cookies did Siti sell?

- (1) 100
- (2) 300
- (3) 400
- (4) 800 ()

12. Mark and Jeremy had the same number of stickers at first. After Mark gave away 48 stickers and Jeremy bought another 12 stickers, Jeremy had 4 times as many stickers as Mark. How many stickers did Jeremy have in the end?

- (1) 15
- (2) 20
- (3) 60
- (4) 80 ()

13. In a storybook, the pages are numbered from 1 to 59. What is the sum of all the page numbers in the storybook?

- (1) 1711
- (2) 1740
- (3) 1770
- (4) 1800

End of Section A
Go on to Section B

5

SCORE
(Go on to the next page)

SECTION B: 19 marks

Questions 14 to 16 carry 1 mark each. Questions 17 to 24 carry 2 marks each. Show your workings clearly in the space provided for each question and write your answers in the blanks provided. For questions which require units, give your answers in the units stated.

14. Express $\frac{3}{7}$ as a decimal. Give your answer correct to 2 decimal places.

Do not write in this space.

Ans: _____

15. 1, 2, 3 and 12 are factors of 12. What are the other 2 factors of 12?

Ans: _____ and _____

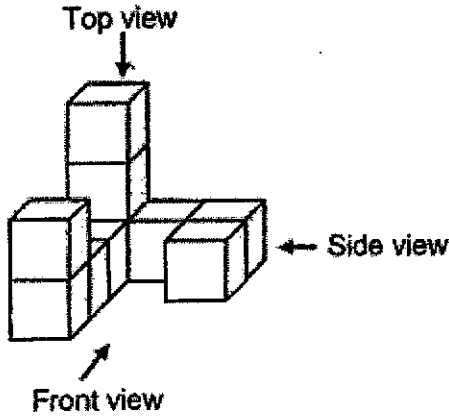
16. Using the digits in the box below, form the smallest possible 4-digit odd number.

0, 5, 6, 8

Ans: _____

17. Amirah used 10 unit cubes to form the solid below.
 Draw the side view and top view of the solid on the grids below.

Do not write in this space.

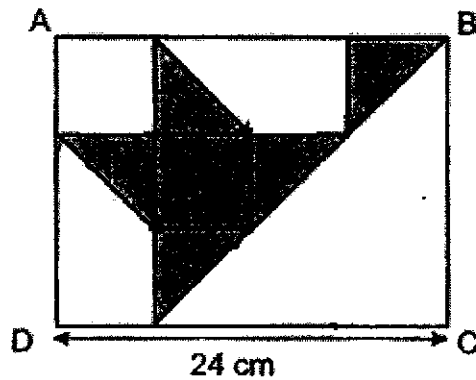


Side View	Top View
. .	. .

18. Janet has 300 sweets. She packs them into identical boxes. Each box can contain at most 40 sweets. What is the least number of boxes needed to pack all the sweets?

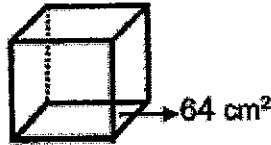
Ans: _____

19. 5 shaded identical triangles and a shaded square are in rectangle ABCD. Find the shaded area of the figure.



Ans: _____ cm^2

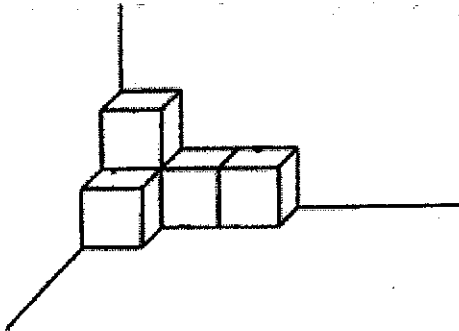
20. The base area of the cube below is 64 cm^2 . Find the volume of the cube.



Do not write in this space.

Ans: _____ cm^3

21. The solid below is made up of 5 unit cubes glued together. What is the smallest possible number of unit cubes that has to be added to the solid to form a cube?



Ans: _____

22. The cost of a book, a toy and a water bottle were in the ratio of 3 : 2 : 5. The book cost \$20 less than the water bottle. Jane bought a book, a toy and a water bottle. How much did she pay altogether?

Do not write in this space.

Ans: \$ _____

23. A class of 25 students had to fold 12 paper rabbits each during a carnival. During the carnival, some students were absent. As a result, the students who were present had to fold 8 more paper rabbits each. How many students were absent?

Ans: _____

24. Mr Lim baked 780 muffins and Mr Tan baked 420 muffins at first. After each of them sold the same number of muffins, Mr Lim had 4 times as many muffins as Mr Tan had left. How many muffins did each of them sell?

Do not write in this space.

Ans: _____

End of Section B
Go on to Section C

11

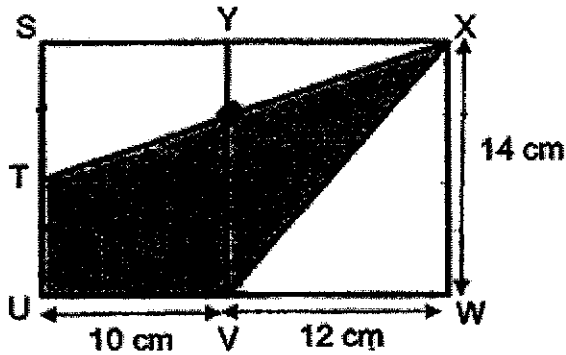
SCORE
(Go on to the next page)

SECTION C: 10 marks

Questions 25 to 26 carry 3 marks each. Question 27 carries 4 marks.
Show your workings clearly in the space provided for each question and write your answers in the blanks provided.

25. The figure below is made up of two rectangles, $SUVY$ and $YXWV$. Given that $ST = TU$, find the area of the shaded parts.

Do not write in this space.



Ans: 147 cm² [3]

12

SCORE
(Go on to the next page)

3

26. Sam had some apples. He sold 210 apples in the afternoon and $\frac{3}{7}$ of the remaining apples in the evening. In the end, he had $\frac{1}{3}$ of the total number of apples left. How many apples did he have at first?

Do not write in this space.

Ans: _____ [3]

27. A baker baked 270 egg tarts and fruit tarts altogether. At first, the number of egg tarts was $\frac{2}{3}$ of the total number of tarts. Some fruit tarts were sold and the number of egg tarts became $\frac{6}{7}$ of the total number of tarts.

- (a) What fraction of the tarts were fruit tarts at first?
(b) How many fruit tarts were sold?

Do not
write in
this
space.

Ans: (a) _____ [1]

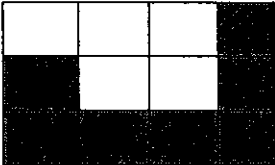
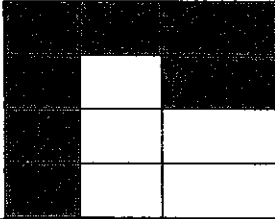
(b) _____ [3]

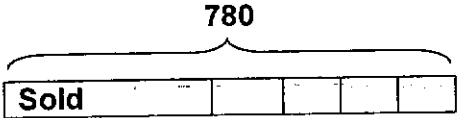
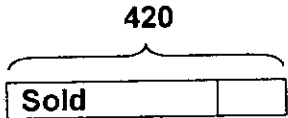
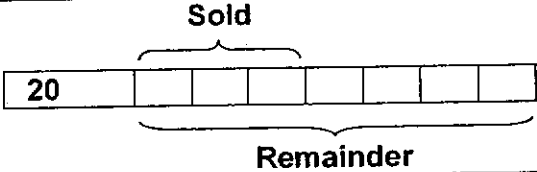
End of Paper
Please check your work carefully

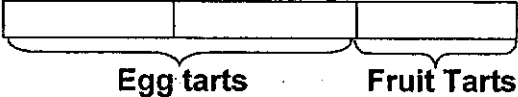
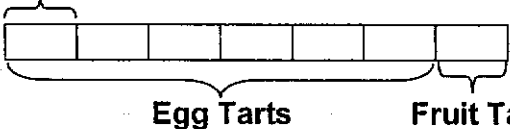
SCHOOL : MARIS STELLA HIGH SCHOOL (PRIMARY)
 LEVEL : PRIMARY 5
 SUBJECT : MATH
 TERM : 2021 TERM 2 WEIGHTED ASSESSMENT

Q 1	Q2	Q3	Q4	Q5	Q6	Q7	Q8	Q9	Q10
4	2	3	1	2	4	3	2	2	3

Q 11	Q12	Q13
4	4	3

Q14)	0.43
Q15)	4 and 6
Q16)	6085
Q17)	<p>Side View</p>  <p>Top view</p> 
Q18)	$300 \div 40 = 7R 20$ $7 + 1 = 8$ Ans: 8 boxes
Q19)	$\frac{1}{2} \times 6 \times 6 = 18$ $18 \times 3 = 54$ $54 + 18 = 72$

	<p>Ans: 72 cm^2</p>
Q20)	<p>$8 \times 8 = 64$ $64 \times 8 = 512$ Ans: 512 cm^2</p>
Q21)	<p>$5 + 8 + 9 = 22$ Ans: 22 unit cubes</p>
Q22)	<p>B : T : W : Total $3 : 2 : 5 : 10$ $2u \rightarrow \\$20$ $1u = 20 \div 2 = 10$ $10 \times 10 = 100$ Ans: \$100</p>
Q23)	<p>$25 \times 12 = 300$ $12 + 8 = 20$ $300 \div 20 = 15$ $25 - 25 = 10$ Ans: 10 students</p>
Q24)	<p>Mr Lim</p>  <p>Mr Tan</p>  <p>$3u = 780 - 420 = 360$ $1u = 360 \div 3 = 120$ $420 - 120 = 300$ Ans: 300 muffins</p>
Q25)	<p>$14 \div 2 = 7$ $\frac{1}{2} \times 12 \times 14 = 84$ $12 + 10 = 22$ $\frac{1}{2} \times 7 \times 22 = 77$ $22 \times 14 = 308$ $77 + 84 = 161$ $308 - 161 = 147$ Ans: 147 cm^2</p>
Q26)	

	$4u \rightarrow \frac{1}{3}$ of total $4 \times 3 = 12$ $12 - 7 = 5$ $210 \rightarrow 5u$ $1u = 210 \div 5 = 42$ $42 \times 12 = 504$ Ans: 504 apples at first
Q27)	<p>a) $1 - \frac{2}{3} = \frac{1}{3}$ Ans: $\frac{1}{3}$</p> <p>b) Before (Total 270)</p>  <p>After 30</p>  <p>$270 \div 3 = 90$ $90 \times 2 = 180$ $180 \div 6 = 30$ $90 - 30 = 60$ Ans: 60 fruit tarts</p>

