



MARIS STELLA HIGH SCHOOL (PRIMARY)
SEMESTRAL ASSESSMENT 2
PRIMARY 4 MATHEMATICS
25 OCTOBER 2019
BOOKLET A

20 questions

40 marks

Total time for Booklets A and B: 1 h 45 min

NAME : _____ ()

CLASS : PRIMARY 4 _____

DO NOT OPEN THIS BOOKLET UNTIL YOU ARE TOLD TO DO SO.

FOLLOW ALL INSTRUCTIONS CAREFULLY.

ANSWER ALL QUESTIONS.

Section A (20 x 2 = 40 marks)

For each question, four options are given. One of them is the correct answer. Make your choice (1, 2, 3 or 4). Shade the correct oval (1, 2, 3 or 4) on the Optical Answer Sheet.

1. The value of the digit 9 in 59 216 is _____.

- (1) 90
- (2) 900
- (3) 9000
- (4) 90 000

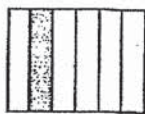
2. Which of the following are common factors of 16 and 24?

- (1) 1 and 3
- (2) 2 and 3
- (3) 2 and 4
- (4) 4 and 6

3. In the number 53.42, the digit _____ is in the tenths place.

- (1) 5
- (2) 2
- (3) 3
- (4) 4

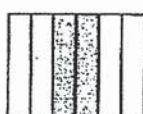
4. Which one of the following has $\frac{1}{5}$ of the figure shaded?



(1)



(2)



(3)



(4)

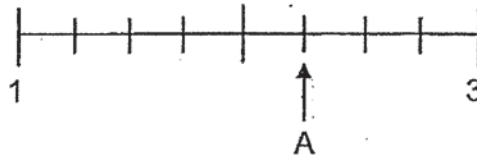
5. Which of the following mixed numbers is represented by the letter A in the number line shown?

(1) $2\frac{1}{4}$

(2) $2\frac{3}{4}$

(3) $3\frac{1}{4}$

(4) $3\frac{3}{4}$



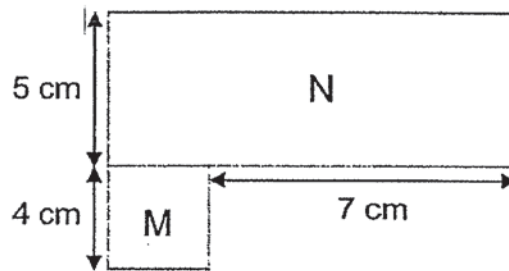
6. The figure shown is made up of a square M of side 4 cm and a rectangle N with breadth 5 cm. What is the length of the rectangle?

(1) 7 cm

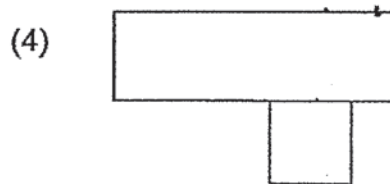
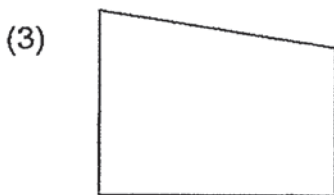
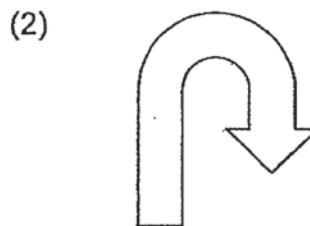
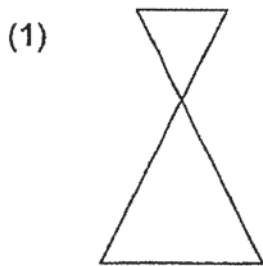
(2) 9 cm

(3) 11 cm

(4) 12 cm



7. Which figure is symmetrical?



8. What is the missing decimal in the box?

$$\square + \frac{6}{100} = 3.75$$

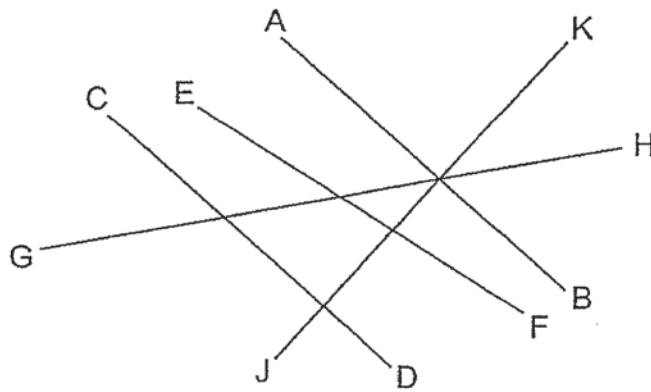
- (1) 3.15
(2) 3.69
(3) 3.81
(4) 4.35
9. Manita had 3.6 m of blue ribbon and 1.44 m of white ribbon at first. She used $\frac{1}{4}$ of each of the ribbons to make flowers. How much ribbon did she use altogether?
- (1) 4.54 m
(2) 3.78 m
(3) 1.26 m
(4) 0.50 m
10. The table below shows the number of books each student in a class borrowed from the library. How many students borrowed more than 3 books each?

Number of books borrowed	0	1	2	3	4	5
Number of students	6	5	7	10	9	4

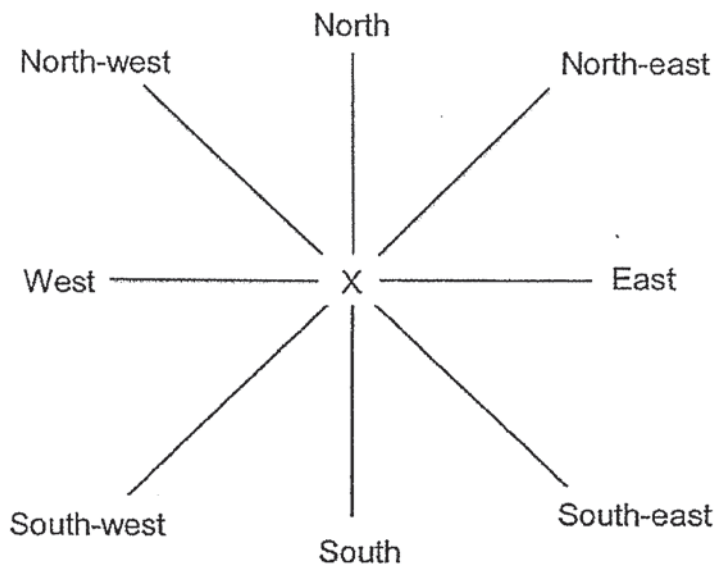
- (1) 10
(2) 13
(3) 18
(4) 23

11. Which one of the following lines is parallel to line AB?

- (1) CD
- (2) EF
- (3) GH
- (4) JK



12. Johnny is standing at point X and facing west. After turning 135° clockwise, he makes a $\frac{1}{4}$ -turn in an anti-clockwise direction. What direction does he face in the end?



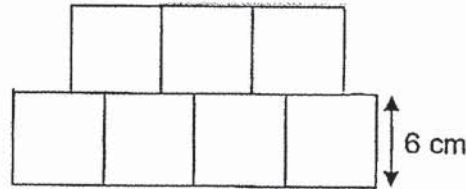
- (1) South-east
- (2) South-west
- (3) North-east
- (4) North-west

13. When a bottle is $\frac{3}{8}$ full, it contains 240 ml of water. How much water can the bottle contain when it is half full?

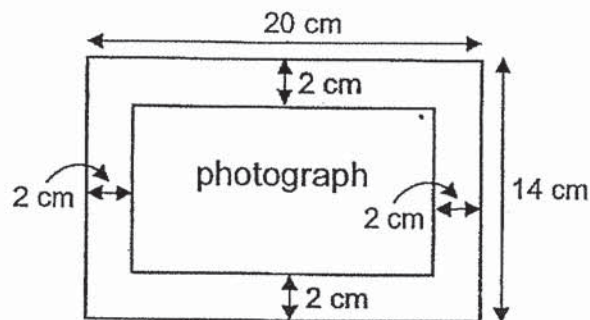
- (1) 120 ml
- (2) 320 ml
- (3) 400 ml
- (4) 640 ml

14. The figure below is made up of 7 identical squares. The side of each square is 6 cm. What is the perimeter of the figure?

- (1) 66 cm
- (2) 72 cm
- (3) 147 cm
- (4) 168 cm



15. A photograph is mounted onto a rectangular cardboard measuring 20 cm by 14 cm as shown. It has a border of 2 cm all round it. Find the area of the photograph.

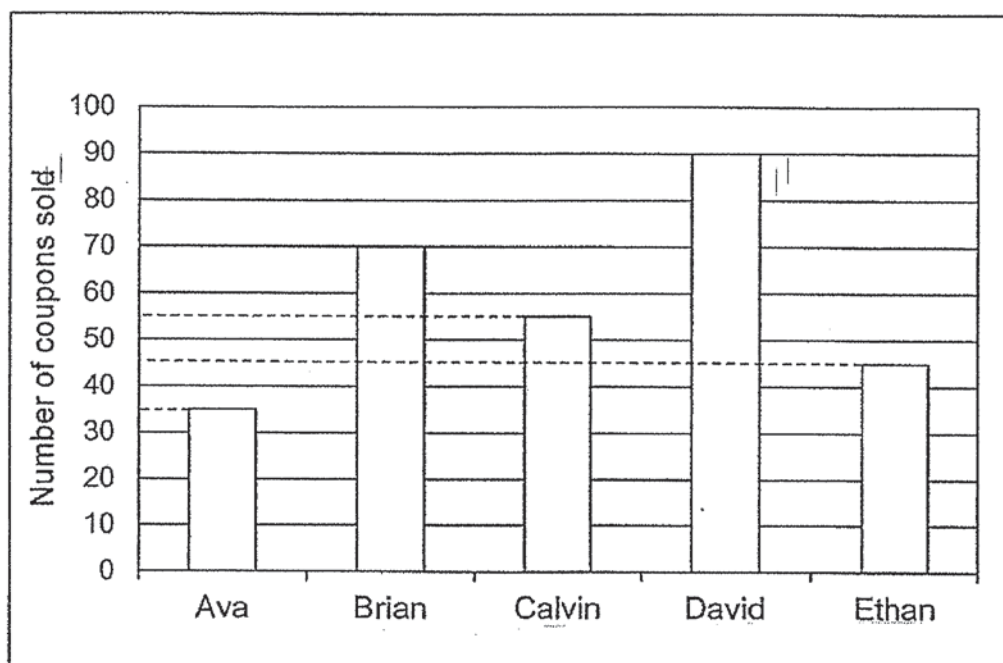


- (1) 120 cm²
- (2) 160 cm²
- (3) 216 cm²
- (4) 280 cm²

16. Mdm Lim paid a total of \$120 for 2 plates and 4 cups. One plate costs 3 times as much as one cup. Find the cost of one cup.

- (1) \$12
- (2) \$20
- (3) \$36
- (4) \$48

17. The bar graph below shows the number of coupons sold by five children to raise funds for charity.



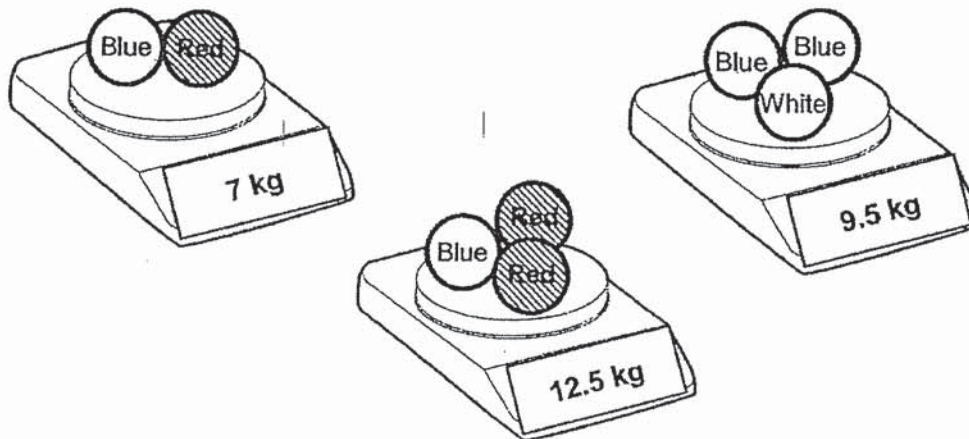
Which two boys sold the same number of coupons as David?

- (1) Ava and Brian
- (2) Brian and Calvin
- (3) Brian and Ethan
- (4) Calvin and Ava

18. A clock was set correctly at 12 noon. It gains exactly 10 min with each passing hour. It shows 19 00 now on the clock. What should the correct time be now?

- (1) 17 50
- (2) 18 00
- (3) 18 30
- (4) 20 10

19. Sandy has some blue, red and white balls. Balls of the same colour have the same mass. She weighs the balls as shown below.



What is the mass of one white ball?

- (1) 1.5 kg
- (2) 2.5 kg
- (3) 5.5 kg
- (4) 6.5 kg

20. Numbers 1 to 100 were written on a piece of paper in 4 rows. The piece of paper was accidentally burnt and only the part shown below was left.
Which row was the number **79** in?

A	1	5	9	13	17
B	2	6	10	14	
C	3	7	11	15	
D	4	8			

- (1) A
- (2) B
- (3) C
- (4) D

End of Section A
Go on to Booklet B



**MARIS STELLA HIGH SCHOOL (PRIMARY)
SEMESTRAL ASSESSMENT 2**

PRIMARY 4 MATHEMATICS

25 OCTOBER 2019

BOOKLET B

25 questions

60 marks

Total time for Booklets A and B: 1 h 45 min

NAME : _____ ()

CLASS : PRIMARY 4 _____

**DO NOT OPEN THIS BOOKLET UNTIL YOU ARE TOLD TO DO SO.
FOLLOW ALL INSTRUCTIONS CAREFULLY.
ANSWER ALL QUESTIONS.**

MARKS OBTAINED :

BOOKLET A: _____ / 40

BOOKLET B: _____ / 60

TOTAL : _____ / 100

Parent's Signature: _____

Section B (20 x 2 = 40 marks)

Show your working clearly in the spaces below each question and write your answers in the spaces provided. For questions which require units, give your answers in the units stated.

21. Write fifteen thousand, two hundred and nine in figures.

Do not write in this space.

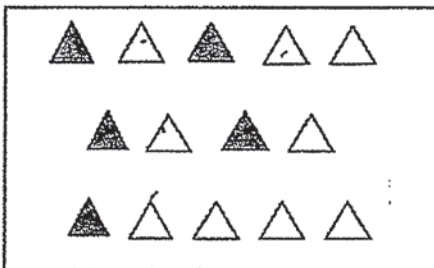
Answer: _____

22. Write the missing number in the number pattern below.

13 000 , 12 300 , 11 600 , 10 900 , _____ , 9500

Answer: _____

23. What fraction of the triangles shown are grey in colour?



Answer: _____

24. Arrange these numbers from the greatest to the smallest.

0.573, 4.6, 0.86, 0.078

Do not
write in
this
space.

Answer: _____ , _____ , _____ , _____
(greatest) (smallest)

25. Which two of the fractions below are smaller than $\frac{1}{2}$?

$\frac{1}{3}$, $\frac{3}{5}$, $\frac{4}{8}$, $\frac{5}{12}$

Answer: _____ and _____

26. Find the value of $1 - \frac{3}{8} - \frac{1}{2}$.

Answer: _____

27. Round 18.49 to the nearest whole number.

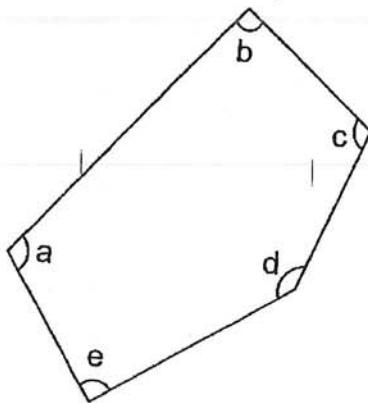
Answer: _____

28. $8.4 - 0.97 =$ _____

Do not write in this space.

Answer: _____

29. Which of the marked angles in the figure below are right angles?



Answer: _____

30. Mary's test started at 11 20 and ended at 13 10. What was the duration of her test? Give your answer in hours and minutes.

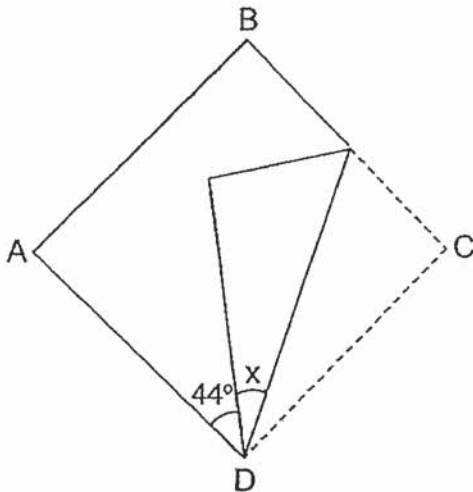
Answer: _____ h _____ min

31. A box with 5 identical balls in it has a mass of 4.55 kg. The mass of the box is 1.75 kg when empty. What is the mass of each ball?

Do not write in this space.

Answer: _____ kg

32. Square ABCD is folded as shown in the diagram below. Find $\angle x$.



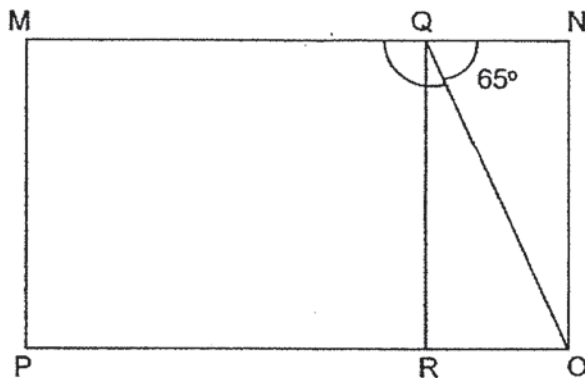
Answer: _____ °

33. I am a 4-digit number.
 The digit in the hundreds place is the greatest odd number, and it is 3 times the digit in the thousands place.
 The digit in the tens place is twice the digit in the ones place.
 The sum of the 4 digits is 18.
 What number am I?

Answer: _____

--

34. In the figure below, MNOP is a rectangle. Line QR is parallel to line NO and $\angle NQO$ is 65° . Find $\angle MQO$.



Do not write in this space.

Answer: _____^o

35. Ravi had more than 20 sweets but fewer than 25 sweets. He gave 3 sweets to each friend and had 2 sweets left. How many sweets did Ravi have at first?

Answer: _____

36. When Xavier is 5 years old, his father is 41 years old. How old would Xavier be when his father is 4 times his age?

Answer: _____

37. The table shows the number of cakes Mrs Lam sold last week.

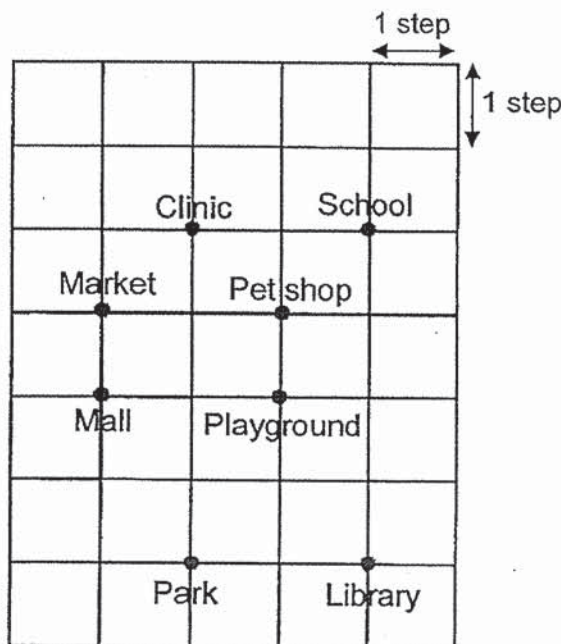
Day	Mon	Tue	Wed	Thur	Fri	Sat	Sun
Number of cakes sold	10	20	30	8	32	50	35

Do not write in this space.

Based on the information above, each of the following statements is either **True**, **False** or **Not possible to tell**. For each statement, put a tick (✓) in the correct column to indicate your answer.

Statement		True	False	Not Possible to tell
(a)	On Monday, Mrs Lam sold twice as many cakes as she did on Tuesday.			
(b)	Mrs Lam sold each cake for \$7. She collected more than \$210 a day for 4 days last week.			

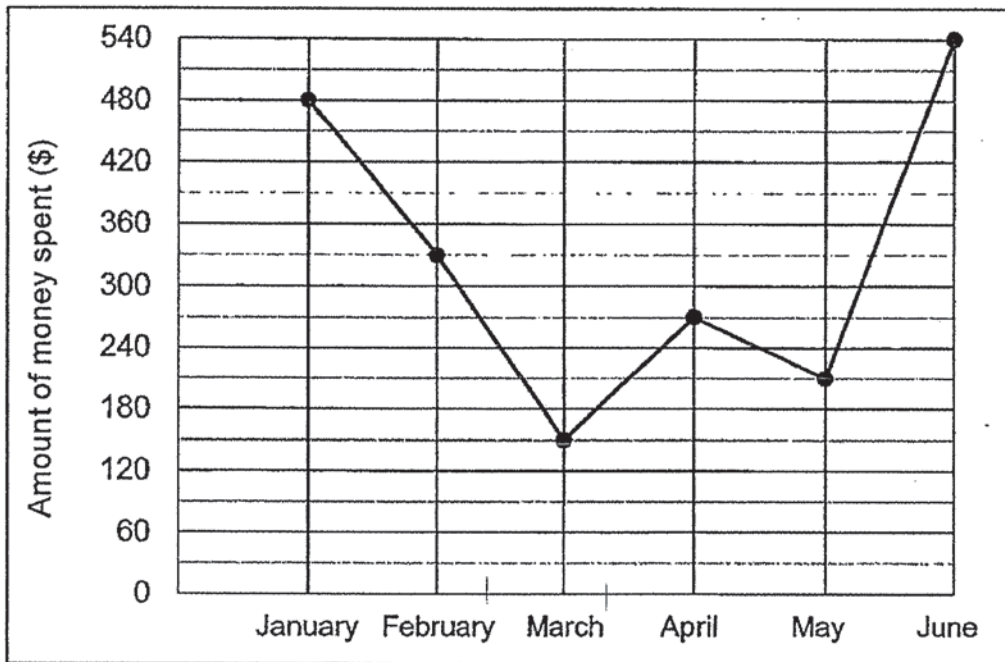
38. To get to the playground, Rahim has to walk two steps to the south and one step to the west. Where is he now?



Answer: _____

The line graph shows the amount of money Joseph spent from January to June. Study the graph carefully and answer question 39 and 40.

Do not write in this space.



39. Of the amount Joseph spent in February, \$138 was spent on clothes and the remaining amount was spent on food. How much did he spend on food in February?

Answer: \$ _____

40. In which month did Joseph spend \$120 more than the previous month?

Answer: _____

Section C (5 x 4 = 20 marks)

Work out the answers for each of the following questions. All workings must be shown.

41. A fruit seller has 408 apples and 92 oranges.
 $\frac{3}{4}$ of the apples are red and the rest are green.

- (a) How many red apples are there?
- (b) What fraction of the fruits are oranges?
Give your answer in the simplest form.

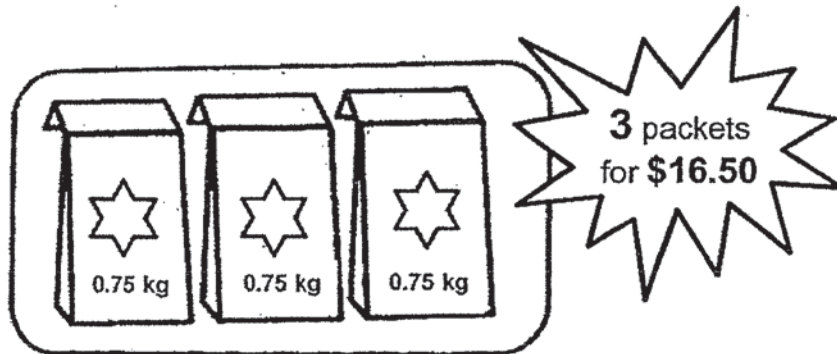
Do not
write in
this
space.

Answer: (a) _____ [2]

(b) _____ [2]

--

42. Coffee powder are sold in packets, in bundles of 3. The price of each bundle is \$16.50. The mass of each packet of coffee powder is 0.75 kg.



Do not write in this space.

- (a) What is the total mass of 9 such packets of coffee powder?
- (b) Mrs Low wants to buy 15 packets of such coffee powder. How much does she have to pay?

Answer: (a) _____ [2]

(b) _____ [2]

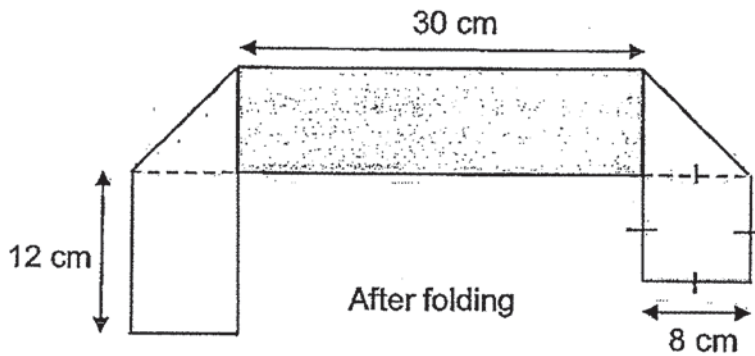
43. Kim and Janice had an equal number of stickers at first.
After Kim gave away 168 stickers and Janice gave away 48 stickers,
Janice had 3 times as many stickers as Kim.
How many stickers did each of them have at first?

Do not
write in
this
space.

Answer: _____ [4]

44. A rectangular piece of paper was grey on one side and white on the other side. It was folded on both ends to form the figure shown below.

Do not write in this space.



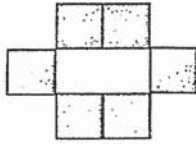
- (a) Find the length of the rectangular paper before it was folded.
 (b) Find the area of the rectangular paper before it was folded.

Answer: (a) _____ [2]

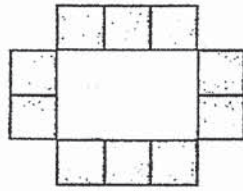
(b) _____ [2]

45. The patterns are formed with identical squares. Study the pattern carefully and answer the questions below.

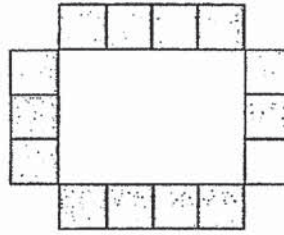
Do not write in this space.



Pattern 1



Pattern 2



Pattern 3

Pattern Number	Number of Squares
1	6
2	10
3	14
↓	↓
18	(a)

(a) How many squares will there be in Pattern 18?

(b) Which pattern is formed with 134 squares?

Answer: (a) _____ [2]

(b) Pattern _____ [2]

END OF PAPER

ANSWER KEY

YEAR : 2019
LEVEL : PRIMARY 4
SCHOOL : MARIS STELLA HIGH SCHOOL (PRIMARY)
SUBJECT : MATHEMATICS
TERM : SA2

PAPER ONE : BOOKLET A

Q1	Q2	Q3	Q4	Q5	Q6	Q7	Q8	Q9	Q10
3	3	4	4	1	3	1	2	3	2
Q11	Q12	Q13	Q14	Q15	Q16	Q17	Q18	Q19	Q20
1	4	2	2	2	1	4	2	4	3

PAPER ONE : BOOKLET B

Q21	15 209									
Q22	10 200									
Q23	$\frac{5}{14}$									
Q24	4.6 , 0.86 , 0.573 , 0.078									
Q25	$\frac{5}{12}$ and $\frac{1}{3}$									
Q26	$1 - \frac{3}{8} - \frac{1}{2} = \frac{8}{8} - \frac{3}{8} - \frac{4}{8} = \frac{1}{8}$									
Q27	18									
Q28	7.43									
Q29	<b and <e									
Q30	<table style="margin-left: auto; margin-right: auto; border-collapse: collapse;"> <tr> <td style="border: 1px solid black; padding: 2px;">40 min</td> <td style="border: 1px solid black; padding: 2px;">1 hour</td> <td style="border: 1px solid black; padding: 2px;">10 min</td> </tr> <tr> <td style="text-align: center;">11 20</td> <td style="text-align: center;">12 00</td> <td style="text-align: center;">13 00</td> </tr> <tr> <td style="text-align: right;">13 10</td> <td></td> <td></td> </tr> </table> <p>Ans : 1 h 50 min</p>	40 min	1 hour	10 min	11 20	12 00	13 00	13 10		
40 min	1 hour	10 min								
11 20	12 00	13 00								
13 10										
Q31	$4.55 - 1.75 = 2.8$ $2.8 \div 5 = 0.56\text{kg}$									
Q32	$90^\circ - 44^\circ = 46^\circ$ $46^\circ \div 2^\circ = 23^\circ$									
Q33	3 942									
Q34	$\angle RQO = 90^\circ - 65^\circ = 25^\circ$ $\angle MQO = 25^\circ + 90^\circ = 115^\circ$									
Q35	23									
Q36	$41 - 5 = 36$ $3u \rightarrow 36$ $1u \rightarrow 12$ Answer : 12 (Xavier 12 and father 48)									

Q37	(a) False (b) False
Q38	School
Q39	$\$300 - \$138 = \$192$
Q40	$270 - 150 = 120$ Answer : April
Q41	$4u \rightarrow 408$ $3u \rightarrow 408 \div 4 \times 3 = 306$ (a) 306 red apples $408 + 92 = 500$ $\frac{92}{500} = \frac{23}{125}$ (b) $\frac{23}{125}$
Q42	$9 \times 0.75 = 6.75$ (a) 6.75 kg $15 \div 3 = 5$ $5 \times \$16.50 = \82.50 (b) \$82.50
Q43	$K : J \rightarrow 1u + 168 : 3u + 48$ $2u \rightarrow 168 - 48 = 120$ $1u \rightarrow 120 \div 2 = 60$ $60 + 168 = 228$ Answer : 228
Q44	$12 + 8 + 30 + 8 + 8 = 66$ (a) 66cm $66 \times 8 = 528$ (b) 528cm^2
Q45	$18 \times 4 + 2 = 74$ (a) 74 $134 - 2 = 132$ $132 \div 4 = 33$ (b) Pattern 33

2
2N1D.