



Anglo-Chinese School
(Primary)

A Methodist Institution
(Founded 1886)

2019 SEMESTRAL ASSESSMENT 1
MATHEMATICS
BOOKLET A
PRIMARY FOUR

Name: _____ () Class: Primary 4 _____

Date: 13 May 2019

Duration of Booklets A & B: 1 hour 45 minutes

INSTRUCTIONS TO CANDIDATES

1. This question paper consists of 8 printed pages, including the cover page.
2. Do not turn this page until you are told to do so.
3. Follow all instructions carefully.
4. Shade your answer on the Optical Answer Sheet (OAS) provided.

SECTION A - Multiple Choice Questions (30 MARKS)

Questions 1 to 15 carry 2 marks each.

For each question, four options are given. One of them is the correct answer. Make your choice (1, 2, 3 or 4). Shade the correct oval (1, 2, 3 or 4) on the Optical Answer Sheet (OAS).

1. The value of the digit 9 in 79 845 is _____.
 - (1) 90
 - (2) 900
 - (3) 9000
 - (4) 90 000

2. 4 ten thousands, 6 hundreds, 28 tens and 9 ones is the same as _____.
 - (1) 40 637
 - (2) 40 889
 - (3) 46 037
 - (4) 46 289

3. 25 948 rounded off to the nearest hundred is _____.
 - (1) 25 000
 - (2) 25 900
 - (3) 25 950
 - (4) 26 000

4. Which of the following is a multiple of both 4 and 6?
- (1) 36
 - (2) 30
 - (3) 18
 - (4) 10
5. The sum of two numbers is 164. The difference between the two numbers is 64. What is the smaller number?
- (1) 18
 - (2) 50
 - (3) 100
 - (4) 114
6. Which of the following is not an equivalent fraction of $\frac{3}{4}$?
- (1) $\frac{6}{8}$
 - (2) $\frac{10}{12}$
 - (3) $\frac{12}{16}$
 - (4) $\frac{15}{20}$

7. Find the value of $\frac{5}{12} - \frac{1}{4}$.

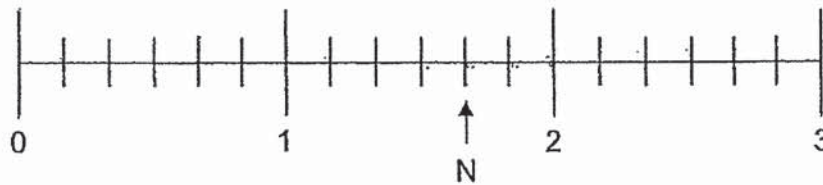
(1) $\frac{2}{3}$

(2) $\frac{1}{2}$

(3) $\frac{3}{8}$

(4) $\frac{1}{6}$

8. Which of the following mixed numbers is represented by the letter N in the number line shown?



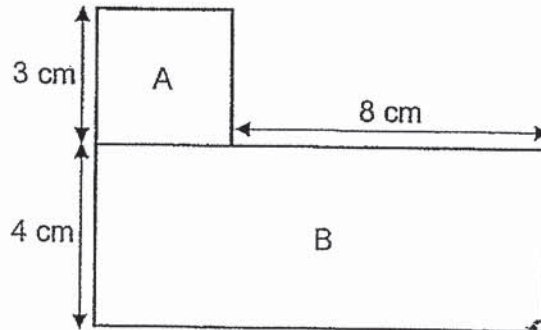
(1) $1\frac{4}{5}$

(2) $1\frac{3}{4}$

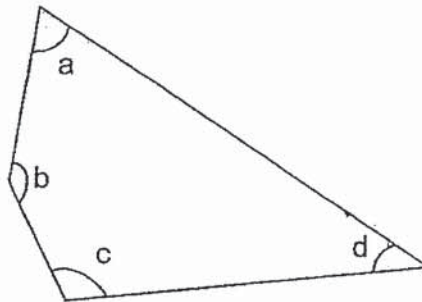
(3) $1\frac{2}{3}$

(4) $1\frac{1}{2}$

9. The figure below is made up of Square A of side 3 cm and Rectangle B with a breadth of 4 cm. What is the length of the rectangle?

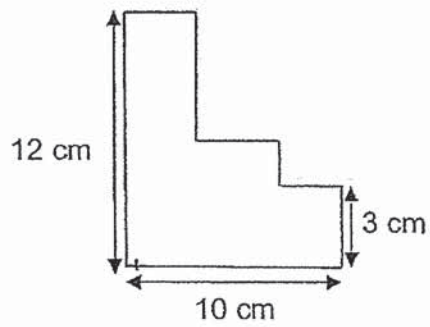


- (1) 7 cm
(2) 8 cm
(3) 11 cm
(4) 12 cm
10. In the figure below, which angles are smaller than a right angle?



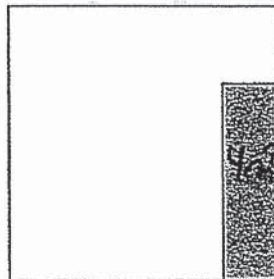
- (1) $\angle a$ and $\angle d$
(2) $\angle b$ and $\angle c$
(3) $\angle c$ and $\angle a$
(4) $\angle d$ and $\angle b$

11) What is the perimeter of the figure?



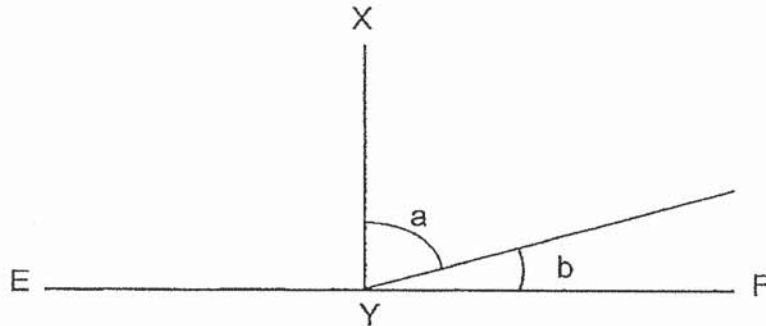
- (1) 22 cm
- (2) 25 cm
- (3) 44 cm
- (4) 50 cm

12. The figure below is made up of a square and a shaded rectangle. The length of the square is 6 cm. The area of the rectangle is 4 cm^2 . What is the area of the unshaded part?

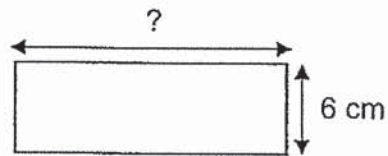


- (1) 40 cm^2
- (2) 36 cm^2
- (3) 32 cm^2
- (4) 24 cm^2

13. The figure below is not drawn to scale. Line EF is perpendicular to Line XY. Which one of the following statements is **incorrect**?

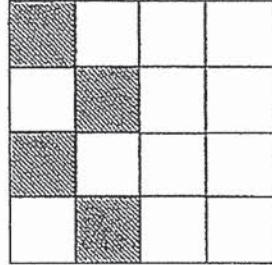


- (1) $\angle a + \angle b = 90^\circ$
(2) $\angle a = 90^\circ - \angle b$
(3) $\angle a$ is greater than $\angle b$
(4) $\angle b$ is three times $\angle a$
14. A wire measuring 44 cm in length is bent to form a rectangle as shown in the diagram below. Find the length of the rectangle.



- (1) 16 cm
(2) 19 cm
(3) 32 cm
(4) 38 cm

15. The figure below is made of 16 identical squares. How many more squares must be shaded so that $\frac{3}{4}$ of the figure is shaded?



- (1) 12
(2) 9
(3) 8
(4) 4



Anglo-Chinese School
(Primary)

A Methodist Institution
(Founded 1886)

2019 SEMESTRAL ASSESSMENT 1
MATHEMATICS
BOOKLET B
PRIMARY FOUR

Name: _____ () Class: Primary 4_

Date: 13 May 2019

Duration of Booklets A & B: 1 hour 45 minutes

Parent's/Guardian's signature

INSTRUCTIONS TO CANDIDATES

1. This question paper consists of 16 printed pages, including the cover page.
2. Do not turn this page until you are told to do so.
3. Follow all instructions carefully.
4. Answer all questions.

Section	Maximum Marks	Marks Obtained
A. Multiple-Choice Questions	30	
B. Short Answers	40	
C. Problem Sums	30	
Total Marks	100	

SECTION B - Short Answer Questions (40 Marks)

Questions 16 to 35 carry 2 marks each. Show all workings clearly.
Write your answer in the space provided. Give your answers in the units stated and in its simplest form whenever possible.

16. Write fifty thousand and fifteen in numerals.

Answer : _____

17. Write the missing number in the number pattern below.

40 572, 40 172, 39 772, _____ , 38 972

Answer : _____

18. Two factors of 27 are 1 and 27. What are the other two factors of 27?

Answer : _____ and _____

19. Find the product of 1549 and 7.

Answer : _____

20. Find the value of $1 - \frac{2}{9} - \frac{1}{3}$.

Answer : _____

21. Write $\frac{18}{4}$ as a mixed number in its simplest form.

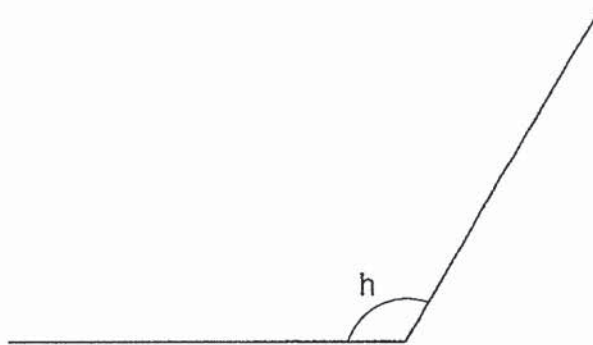
Answer : _____

22. Express your answer as a mixed number in its simplest form.

$$3 - \frac{3}{5} = \underline{\hspace{2cm}}$$

Answer :

23. Measure and write down the size of $\angle h$.



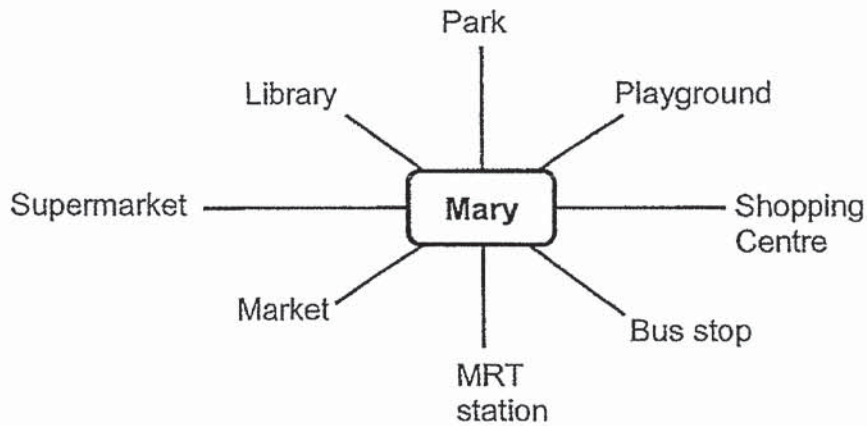
Answer : °

24. Arrange the following fractions from the smallest to the greatest.

$$\frac{7}{8}, \frac{1}{3}, \frac{5}{12}$$

Answer : , ,
(smallest) (greatest)

25. Mary is facing the library. If she turns _____ ° anti-clockwise, she will face the shopping centre.

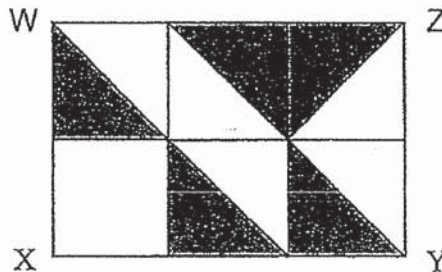


Answer : _____ °

26. The cost of 6 rings is the same as the cost of 16 necklaces. If each necklace costs \$9, what is the cost of each ring?

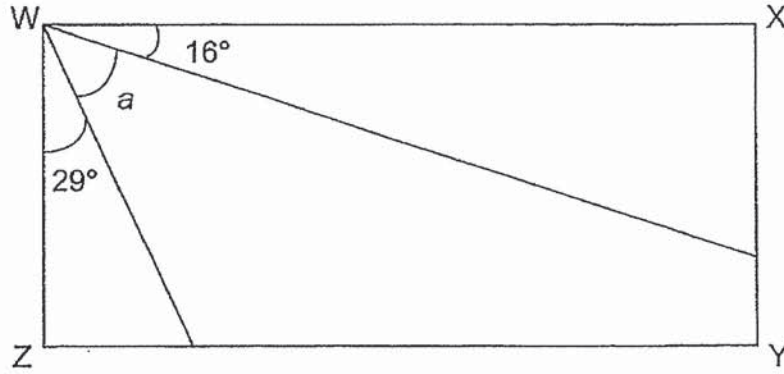
Answer : _____

27. In the figure below, rectangle WXYZ is made up of 6 unit squares. What fraction of rectangle WXYZ is shaded?



Answer : _____

28. In the figure shown below, WXYZ is a rectangle. Find $\angle a$.



Answer : _____°

29. A florist used 30 roses to make a garland. How many roses were needed to make 287 such garlands?

Answer : _____

30. There are 56 fruits in a basket. 14 of them are apples and the rest are oranges. What fraction of the fruits are oranges? Express your answer in its simplest form.

Answer : _____

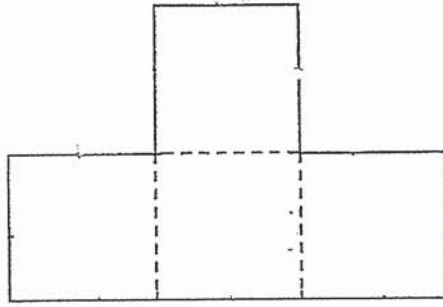
31. What is the sum of the common factors of 28 and 32?

Answer : _____

32. The mass of Box A is a multiple of 4. The mass of Box B is a multiple of 8. The mass of both boxes are exactly the same and is between 20 kg and 30 kg. What is the mass of Box B?

Answer : _____ kg

33. The figure below is made up of 4 identical squares. The perimeter of the figure is 160 cm. What is the area of a square?

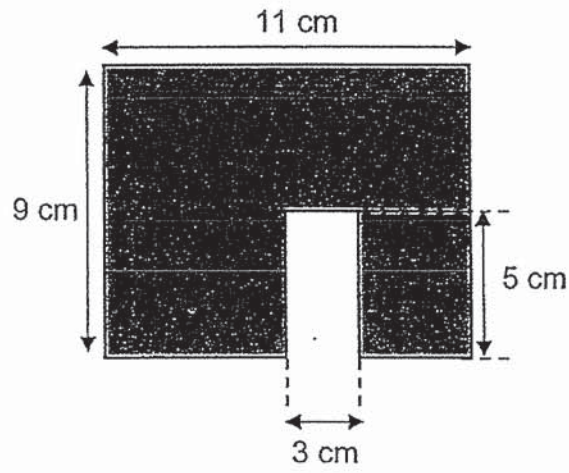


Answer : _____ cm²

34. Kenny sold $\frac{1}{6}$ of his cards and had 40 cards left. How many cards did Kenny sell?

Answer : _____

35. Find the area of the figure below.



Answer : _____ cm^2

SECTION C - Problem Sums (30 Marks)

For each question from 36 to 43, show your working and mathematical statements clearly in the space below each question. Write your answer in the answer space provided. Give your answers in the units stated and in its simplest form whenever possible. Marks awarded are shown in the brackets [].

36. Neil spent \$1068. Anggun spent $\frac{1}{4}$ of the amount spent by Neil. How much did both Neil and Anggun spend in all?

Answer: _____ [3]

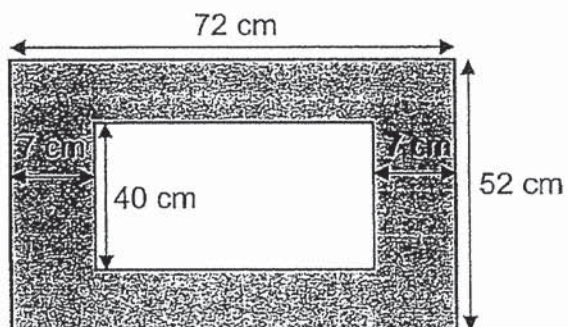
37. Miss Tan had \$309. She wanted to buy a T-shirt for each of her 42 pupils. Each T-shirt cost \$19. How much more money did she need?

Answer: _____ [3]

38. The cost of 5 pillows and 4 bedsheets is \$725. A pillow costs \$28 more than a bedsheet. How much does each bedsheet cost?

Answer : _____ [4]

39. John had a grey piece of paper, measuring 72 cm by 52 cm. He cut out a rectangle in the middle of the paper as shown in the diagram below. What area of the paper was not cut out by John?



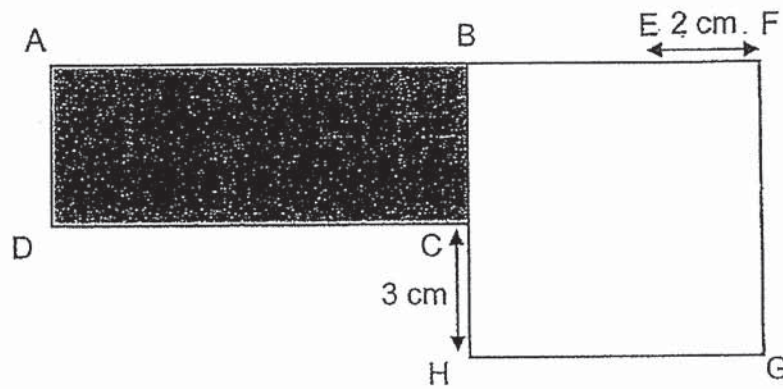
Answer : _____ [4]

40. Joy had 284 markers and crayons. After she gave away $\frac{4}{5}$ of the markers and 26 crayons, she had an equal number of markers and crayons left.
- a) How many markers did she have left?
- b) How many crayons did she have at first?

Answer: a) _____ [3]

b) _____ [1]

41. The figure below, not drawn to scale, is made up of rectangle ABCD and square BFGH. Square BFGH has an area of 49 cm^2 . The length of AE is 14 cm .
What is the area of the shaded part?



Answer: _____ [4]

42. Jessie had 3 times as many cookies as Wendy. After Jessie bought 26 cookies and Wendy bought 62 cookies, they had an equal number of cookies. How many cookies did Wendy have in the end?

Answer: _____ [4]

43. There were some children and adults at the park. $\frac{5}{12}$ of them were children.

There were 72 more adults than children.

a) How many adults were there? .

b) In the afternoon, some children went home. The number of adults left at the park was 4 times the number of children. How many children were left at the park?

Answer: a) _____ [2]

b) _____ [2]

End – of – Paper

ANSWER KEY

YEAR : 2019
LEVEL : PRIMARY 4
SCHOOL : ANGLO-CHINESE SCHOOL (PRIMARY)
SUBJECT : MATHEMATICS
TERM : SEMESTRAL ASSESSMENT 1

Q1	Q2	Q3	Q4	Q5	Q6	Q7	Q8	Q9	Q10
3	2	2	1	2	2	4	3	3	1
Q11	Q12	Q13	Q14	Q15					
3	3	4	1	3					

Q16. 50015

Q17. 39372

Q18. 3 and 9

Q19. 10843

Q20. $\frac{4}{9}$

Q21. $4\frac{1}{2}$

Q22. $2\frac{2}{5}$

Q23. 121°

Q24. $\frac{1}{3}, \frac{5}{12}, \frac{7}{8}$

Q25. 255°

Q26. \$24

Q27. $\frac{5}{12}$

Q28. 45°

Q29. 8610 roses

Q30. $\frac{3}{4}$

Q31. 7

Q32. 24kg

Q33. 256cm^2

Q34. 8 cards

Q35. 84cm^2

Q36. \$1335

Q37. \$489

Q38. \$65

Q39. 1424cm^2

Q40. (a) 43 markers

(b) 69 crayons

Q41. 36cm

Q42. 80 cookies

Q43. (a) 252 adults

(b) 63 children

/

END