

Ai Tong School
Primary Two Mathematics
Formative Assessment 2016
Term 1 Topical Review (2)
Addition and Subtraction within 1000/Word Problems

Name: _____ Date : _____

Class : P2 _____ Parent's Signature: _____

Section A

Add or subtract the following carefully. Show your working.

1.

$$\begin{array}{r} 43 \\ + 54 \\ \hline \\ \hline \end{array}$$

2.

$$\begin{array}{r} 68 \\ + 17 \\ \hline \\ \hline \end{array}$$

3.

$$\begin{array}{r} 877 \\ - 62 \\ \hline \\ \hline \end{array}$$

4.

$$\begin{array}{r} 645 \\ - 29 \\ \hline \\ \hline \end{array}$$

5. Find the sum of 287 and 413.

Ans:

6. The sum of two numbers is 862. The smaller number is 201.
What is the bigger number?

Ans:

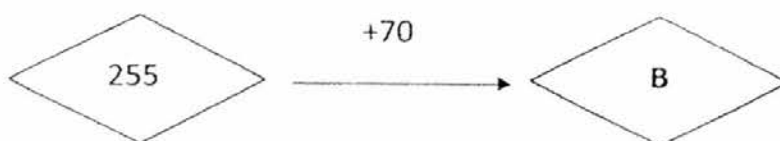
7.

$$\begin{array}{r} 673 \\ - 41\boxed{} \\ \hline 257 \\ \hline \end{array}$$

What is the missing number in the ?

Ans:

8. Find the value of B.



Ans:

9. $685 - \boxed{} = 297$

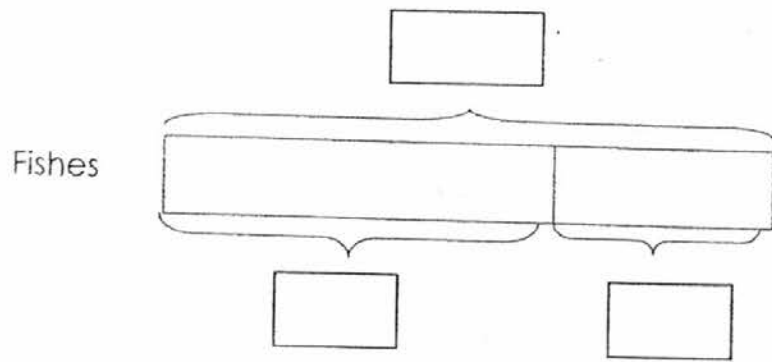
10. Subtract 749 from 900.

Ans:

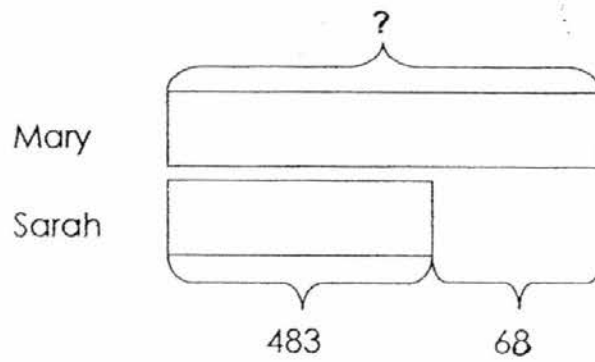
Section B

11. Complete the model below by filling in the boxes with the **correct numbers** and a **question mark [?]**.

Mr Lee had 560 fishes in his fish farm.
He sold some of them.
After that, he had 225 fishes left.
How many fishes were sold?



12. Study the model. Fill in the blanks below.

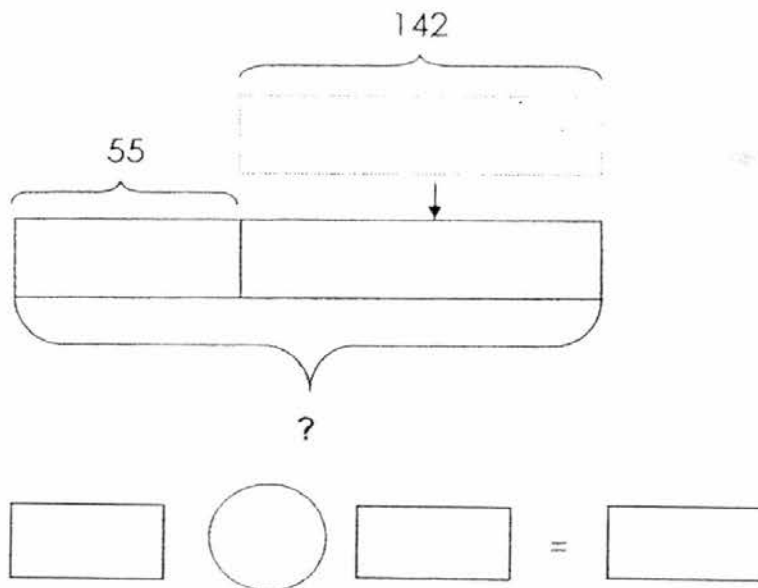


Sarah has _____ seashells.

Sarah has _____ fewer seashells than Mary.

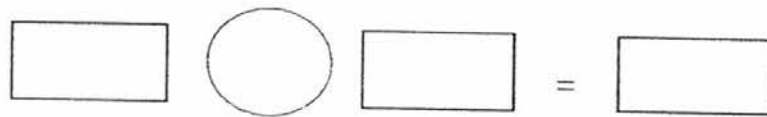
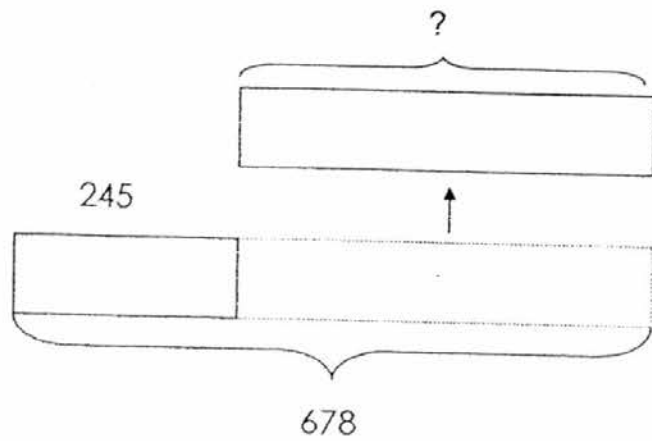
Mary has _____ seashells.

13. A florist has 55 red roses.
 She orders another 142 pink roses.
 How many roses does she have in all?



The florist had _____ roses altogether.

14. Joe needs 678 pieces of Lego bricks to build a car.
 He only has 245 pieces of Lego bricks.
 How many more pieces of Lego bricks does he need?



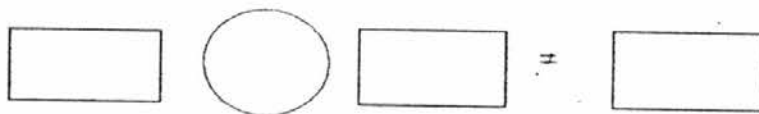
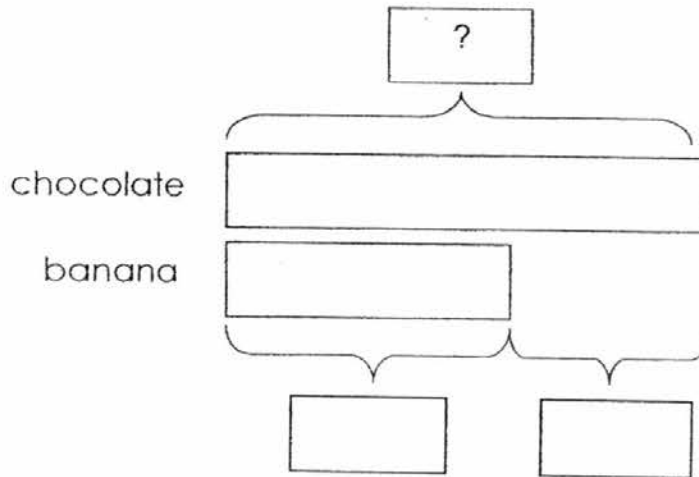
Joe needs _____ more pieces of Lego bricks.

15. Complete the model below by filling in the boxes.
Show your working carefully.

Mrs Sim baked 648 banana muffins.

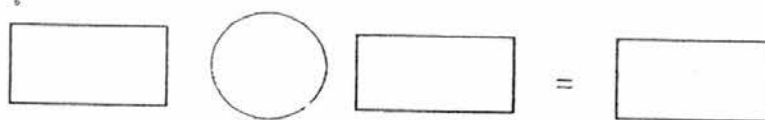
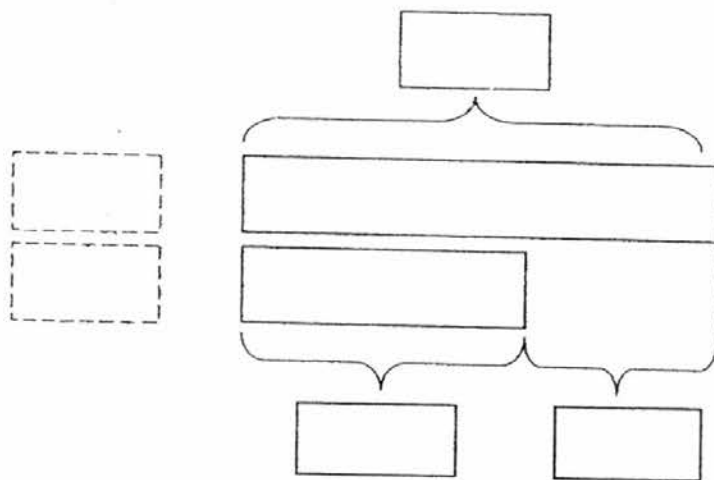
She baked 352 more chocolate muffins than banana muffins.

How many chocolate muffins did Mrs Sim bake?



Mrs Sim baked _____ chocolate muffins.

16. Mandy has a collection of 360 picture cards.
 She has 195 more picture cards than Tim.
 How many picture cards does Tim have?



Tim has _____ picture cards.

Check your work carefully 😊

EXAM PAPER 2016

SCHOOL : AITONG (PRIMARY)
SUBJECT : PRIMARY 2 MATHEMATICS
TERM : MINI TEST 1

Q1 250

Q2(a) ones
(b) 400

Q3(a) 716
(b) three hundred and ninety-four

Q4(a) 566
(b) 914

Q5(a) 243
(b) 87

Q6(a) 339
(b) 573
(c) 755
(d) 627

Q7(a) 54
(b) 635
(c) 361
(d) 38
(e) 372

Q8 $74 + 38 = 112$

Q9 $528 - 287 = 241$

Q10 $285 + 118 = 403$

Q11 $314 - 209 = 105$

Q12 $185 + 90 = 275$

Q13 $385 - 125 = 260$

EXAM PAPER 2016

LEVEL : PRIMARY 2
SCHOOL : AI TONG SCHOOL
SUBJECT : MATH
TERM : TERM 1 TOPICAL REVIEW 1 AND 2

TOPICAL REVIEW 1

Q1a) 617 Q1b) 901

Q2a) hundreds Q2b) 3 Q2c) 648

Q3a) 712 Q3b) Two hundred and forty-nine Q3c) 0 tens + 5 ones

Q4a) smaller than Q4b) greater than

Q5a) 627 Q5b) 276

Q6a) 892, 869, 546, 524 Q6b) 118, 218, 288, 812

Q7a) 1000 Q7b) 310 Q7c) 495 Q7d) 699

Q8a) 209, 229 Q8b) 83, 103

TOPICAL REVIEW 2

Q1. 97 Q2. 85 Q3. 815 Q4. 616 Q5. 700 Q6. 661

Q7. 6 Q8. 325 Q9. 388 Q10. 151 Q11. 560, 225, 335

Q12. Sarah has 483 seashells.
Sarah has 68 fewer seashells than Mary.
Mary has 551 seashells.

Q13. $142 + 55 = 197$
The florist had 197 roses altogether.

Q14. $678 - 245 = 433$
The florist needs 433 more pieces of Lego bricks.

Q15. Model: 648, 352
 $648 + 352 = 1000$
Mrs Sim baked 1000 chocolate muffins.

Q16. Model: Mandy: 360, Tim: ?, 195
 $360 - 195 = 165$
Tim has 165 picture cards

EXAM PAPER 2016

LEVEL : PRIMARY 2

SCHOOL : AI TONG SCHOOL

SUBJECT : MATHEMATICS

TERM : SUMMATIVE ASSESSMENT TERM / 2 MINI TEST 2

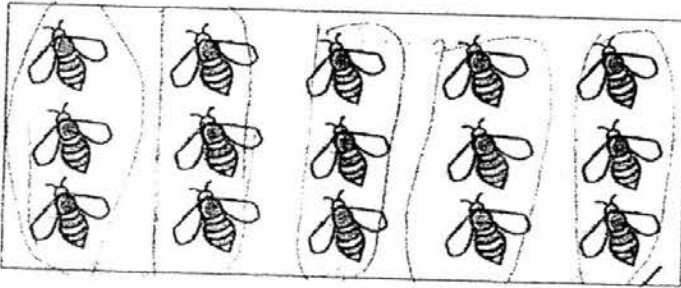
Q1. $4 + 4 + 4$

$= 3 \times 4$

$= 12$

Q2. $10 \div 2 = 5$

There are 5 groups of 2 balloons.



Q3.

There are 3 bees in each group.

Q4. (a) $7 \times 2 = 14$ (b) 5 fours = 20 (c) $9 \times 4 = 36$ (d) $5 \rightarrow 5 \times 5 = 25$

(e) $7 \rightarrow 7 \times 10 = 70$

Q5. (a) $2 \times 4 = 8$ (b) $6 \times 3 = 18$ (c) $4 \times 6 = 24$ (d) $7 \times 5 = 35$
 $8 \div 2 = 4$ $18 \div 6 = 3$ $24 \div 4 = 6$ $35 \div 7 = 5$

(e) $10 \times 9 = 90$

$90 \div 10 = 9$

Q6. $7 \times 3 = 21$

There are 21 sunflowers altogether.

Q7. $10 \times 5 = 50$

He has 50 seashells altogether.

Q8. $24 \div 3 = 8$

Each of them will get 8 pears.

Q9. $32 \div 4 = 8$

There are 8 children.