



NAN HUA PRIMARY SCHOOL
SEMESTRAL ASSESSMENT 1 - 2008
PRIMARY 1

ENGLISH LANGUAGE PAPER 2

Name _____ ()

Class: Primary 1 _____

Date: 05 May 2008

Total
Marks _____ / 50

Parent's Signature

Total Time: 1 hour 15 minutes

INSTRUCTIONS TO CANDIDATES


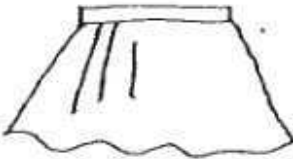

- 1 Write your name and register number in the space provided.
- 2 Do not turn over the page until you are told to do so.
- 3 Follow all instructions carefully.
- 4 Answer all questions carefully.

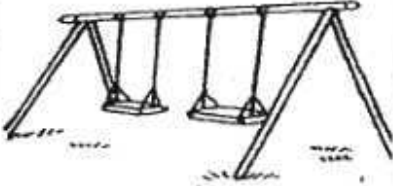

Section A: Vocabulary (5 x 1 mark)

Look at the pictures carefully. Fill in each blank with the correct word from the box.

Use each word only ONCE.



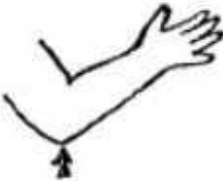


see-saw	skirt	swings	food centre
sharpener	shirt	library	supermarket

1. 	2. 	3. 

4. 	5. 

Section B: Vocabulary (5 x 1 mark)

Look at the pictures and read the sentences carefully. Fill in each blank with the correct word from the brackets.

6. 	Mr Tan is a _____ (plumber, policeman, postman)
7. 	Benny likes to _____ himself in the mornings. (breathe, bathe, brush)
8. 	Jack hurt his _____ while playing soccer. (elbow, wrist, hand)
9. 	Mother takes me to the _____ to see a doctor. (cinema, church, clinic)
10. 	The children feel _____ when they are going to the zoo. (excited, sad, tired)

Section C: Grammar (10 x 1 mark)

Read each sentence carefully. Put a (✓) in the box for the correct answer.

11. My grandparents _____ to the park every Sunday.

go	
goes	
going	

12. Tim _____ Jack are good friends.

or	
am	
and	

13. Mrs Ng carries _____ umbrella every day.

a	
an	
the	

14. That orange on the plate _____ bad.

is	
am	
are	

15. Give the kite to Ali. It is _____ kite.

his	
her	
their	

16. Our teacher is _____.

Miss fong	
Miss Fong	
miss Fong	

17. The dog jumps _____ the drain and chases the cat.

out	
over	
under	

18. John _____ to draw cartoons.

like	
likes	
liking	

19. Diana climbs to the top of the hill. Then she walks _____ slowly.

in	
up	
down	

20. Mrs Raju is in the shoe shop. _____ is shopping for shoes.

He	
She	
They	

Section D: Cloze Passage (5 × 1 mark)

Fill in each blank with the correct word from the box.

Use each word only ONCE.

beach	sandwiches	picnic	mug
garden	sandcastle	party	basket

Today is Sunday. Father takes Sally and Peter for a

(21)_____. Mother puts some cakes, biscuits,

(22)_____ and a bottle of drinks in a

(23)_____. Sally takes a big red ball to play on

the (24)_____. Peter takes a spade and a pail.

He wants to build a (25)_____. The children

enjoy the outing.

Section E: Word Order (5 x 1 mark)

Rearrange the words to form correct sentences. Begin each sentence with a capital letter and end it with a full stop or a question mark.

26. to my likes bake cakes my likes

27. is in eraser my the pencil case

28. white is soft the rabbit and

29. help we parents our day every

30. look after can you parrot my

Section F: Comprehension - MCQ (5 x 2 marks)

Read the passage carefully.

Mrs Lim sells vegetables in a market. She wakes up at five o'clock every morning. After breakfast, she walks to the market as it is near her home. After cleaning the stall, she arranges the vegetables nicely. Many people like to buy vegetables from her because they are cheap and fresh.

By eleven o'clock, all her vegetables are sold. Mrs Lim then goes home to prepare lunch for her children. They are studying in a primary school. They usually reach home by two o'clock in the afternoon. They like to eat the food she cooks.

In the evening, when Mr Lim comes home from work, the whole family sits together for dinner. They enjoy eating together.

Answer these questions based on the passage. Put a (✓) in the box for the correct answer.

31. Every day, Mrs Lim wakes up _____.

late	
very early	
in the evening	
in the afternoon	

32. Mrs Lim _____ before arranging the vegetables.

prepares breakfast	
prepares dinner	
cleans the stall	
cooks lunch	

33. The vegetables that Mrs Lim sells are _____.

big and juicy	
thin and long	
nice and clean	
fresh and cheap	

34. Mrs Lim's children goes to school _____.

in the afternoon	
at eleven o'clock	
in the morning	
at two o'clock	

35. Mrs Lim is a _____ mother.

caring	
lovable	
careful	
likeable	

Section G: Comprehension - OE (5 x 2 marks)

Read the passage carefully.

Answer the questions that follow in complete sentences.

Your answer must be based on the passage.

Ben and David are neighbours. They live in the same block of flats in Clementi. They go to the same school. Their school is near their flats. Once a week after school, they stop by the playground nearby. They enjoy playing on the slide and see-saw.

They also help each other with their homework. Ben helps David in Mathematics. David teaches Ben to read and speak clearly.

Ben and David love to play badminton and table-tennis together. They are the best of friends.

36. Where do Ben and David live?

They _____

37. Which two places near their homes do they go to?

They _____

38. How often do Ben and David go to the playground?

They _____

39. What subject is Ben probably good at?

He _____

40. What games do Ben and David enjoy?

They _____

End-of-Paper

Please check your work carefully.



ANSWER SHEET

EXAM PAPER 2008

SCHOOL : NAN HUA PRIMARY SCHOOL
SUBJECT : PRIMARY 1 ENGLISH

TERM : SA 1

- 1)library 2)skirt 3)food centre 4)swings 5)sharpener
6)postman 7)bathe 8)elbow 9)clinic 10)excited
11)go 12)and 13)an 14)is 15)his 16)Miss Fong
17)over 18)likes 19)down 20)She 21)picnic
22)sandwiches 23)basket 24)beach 25)sandcastle
26)My aunt likes to bake cakes.
27)My eraser is in the pencil case.
28)The rabbit is soft and white.
29)We help our parents every day.
30)Can you look after my parrot?
31)very early 32)cleans the stall 33)fresh and cheap
34)in the morning 35)caring
36)They live in the same block of flats in Clementi.

37)They go to their school and the playground.

38)They go to the playground once a week after school.

39)He is good at Mathematics.

40)They enjoy playing badminton and table-tennis.