

Full Name	Class Index No	Class



**Anglo-Chinese School
(Barker Road)**

**PRELIMINARY EXAMINATION 2024
SECONDARY FOUR EXPRESS / FIVE NORMAL (ACADEMIC)**

**ADDITIONAL MATHEMATICS
4049
PAPER 1**

2 HOURS 15 MINUTES

Candidates answer on the Question Paper.

READ THESE INSTRUCTIONS FIRST

Write your index number and name in the spaces at the top of this page.

Write in dark blue or black pen.

You may use an HB pencil for any diagrams or graphs.

Answer all questions.

Give non-exact numerical answers correct to 3 significant figures, or 1 decimal place in the case of angles in degrees, unless a different level of accuracy is specified in the question.

The use of an approved scientific calculator is expected, where appropriate.

You are reminded of the need for clear presentation in your answers.

The number of marks is given in brackets [] at the end of each question or part question.

The total number of marks for this paper is 90.

For Examiner's Use

Mathematical Formulae**1. ALGEBRA***Quadratic Equation*

For the equation $ax^2 + bx + c = 0$,

$$x = \frac{-b \pm \sqrt{b^2 - 4ac}}{2a}$$

Binomial expansion

$$(a+b)^n = a^n + \binom{n}{1}a^{n-1}b + \binom{n}{2}a^{n-2}b^2 + \dots + \binom{n}{r}a^{n-r}b^r + \dots + b^n,$$

where n is a positive integer and $\binom{n}{r} = \frac{n!}{r!(n-r)!} = \frac{n(n-1)\dots(n-r+1)}{r!}$

2. TRIGONOMETRY*Identities*

$$\sin^2 A + \cos^2 A = 1$$

$$\sec^2 A = 1 + \tan^2 A$$

$$\operatorname{cosec}^2 A = 1 + \cot^2 A$$

$$\sin(A \pm B) = \sin A \cos B \pm \cos A \sin B$$

$$\cos(A \pm B) = \cos A \cos B \mp \sin A \sin B$$

$$\tan(A \pm B) = \frac{\tan A \pm \tan B}{1 \mp \tan A \tan B}$$

$$\sin 2A = 2 \sin A \cos A$$

$$\cos 2A = \cos^2 A - \sin^2 A = 2 \cos^2 A - 1 = 1 - 2 \sin^2 A$$

$$\tan 2A = \frac{2 \tan A}{1 - \tan^2 A}$$

Formulae for $\triangle ABC$

$$\frac{a}{\sin A} = \frac{b}{\sin B} = \frac{c}{\sin C}$$

$$a^2 = b^2 + c^2 - 2bc \cos A$$

$$\Delta = \frac{1}{2}bc \sin A$$

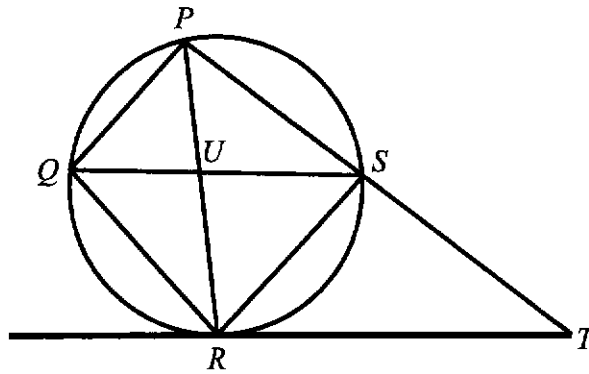
- 1 The line $x - y = 3$ intersects the curve $x^2 - 3xy + y^2 + 19 = 0$ at the points P and Q .
Find the coordinates of P and of Q . [5]

2 Solve the equation $2^{x+1} + 3(2^{-x}) = 7$.

[5]

- 3 Express the equation $\log_2 x + \log_4(x-1) = 3$ as a cubic equation in x . [4]

4



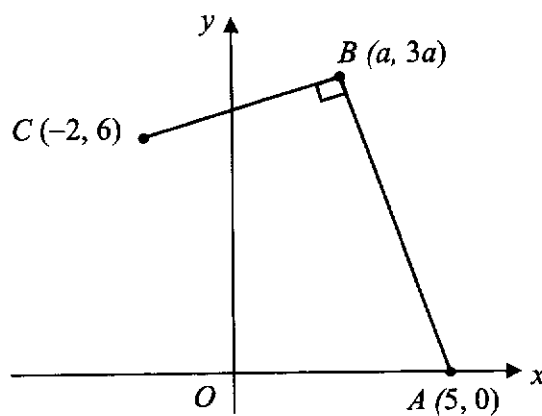
The diagonals of a cyclic quadrilateral $PQRS$ intersect at U . The tangent to the circle at R meets PS produced at T . If $QR = RS$, prove that

(a) QS is parallel to RT , [3]

(b) triangles QUR and RST are similar. [3]

TURN OVER FOR QUESTION 5

5



The diagram shows points $A(5, 0)$, $B(a, 3a)$ and $C(-2, 6)$ such that the line AB is perpendicular to the line BC .

(a) Show that $a = 2.5$.

[3]

- 5 (b) Find the coordinates of the midpoint of AC . Hence find the coordinates of D such that $ABCD$ is a parallelogram. [3]

- (c) The area of triangle AEC is 5 units². Find the value of x given that the point E is $(x, 2x)$, where $x > 1$. [2]

- 6 (a) Express $\frac{13x-6}{x^2(2x-3)}$ in partial fractions. [5]

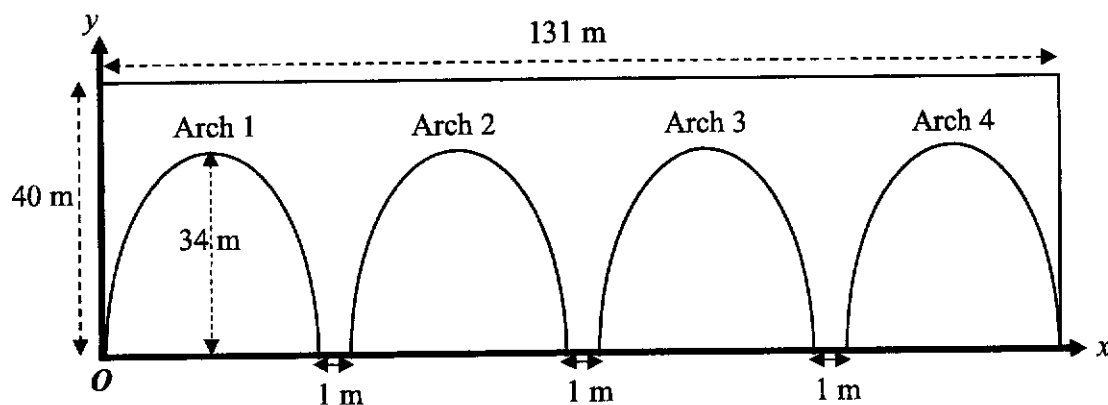
6 (b) Hence $\int \frac{13x-6}{x^2(2x-3)} dx$. [3]

- 7 (a) (i) Write down and simplify, in ascending powers of x , the first four terms of the expansion of $(1-x)^{12}$. [2]

- (ii) Hence find the value of p given that the coefficient of x^3 in the expansion of $(2x^2 + 17x + p)(1-x)^{12}$ is 6598. [3]

- 7 (b) In the binomial expansion of $\left(x + \frac{k}{x}\right)^5$, where k is a positive constant, the coefficients of x^3 and x are the same. Find the value of k . [4]

8



A civil engineer is designing a bridge which is 131 metres long, 40 metres high and is to have four identical parabolic arches along its length. Each arch is 34 metres high and there is one metre between bases of each adjacent pair of arches as shown in the diagram. A set of axes is placed with the origin at the left-hand end of the base of the first arch.

(a) Find the x -intercepts of Arch 1.

[2]

(b) The equation representing Arch 1 can be written in the form

$$y = a(x-p)(x-q). \text{ Show that } a = -\frac{17}{128}.$$

[2]

- 8 (c) Explain, with working, if the point (50, 30) lies on Arch 2. [3]

9 (a) Differentiate $x \sin x + \cos x$ with respect to x . [2]

(b) Show that $\frac{d}{dx} \left(\frac{1}{3} x \sin^3 x \right) = \frac{1}{3} \sin^3 x - x \cos^3 x + x \cos x$. [3]

- 9 (c) Using the results found in **part (a)** and **part (b)**, find $\int (\sin^3 x - 3x \cos^3 x) dx$. [4]

10 (a) Prove the identity $\frac{\cos x}{\operatorname{cosec} x - 1} + \frac{\cos x}{\operatorname{cosec} x + 1} = 2 \tan x$. [5]

10 (b) Solve the equation $\tan x + 2\sec^2 x = 5$ for $0 \leq x \leq 2\pi$.

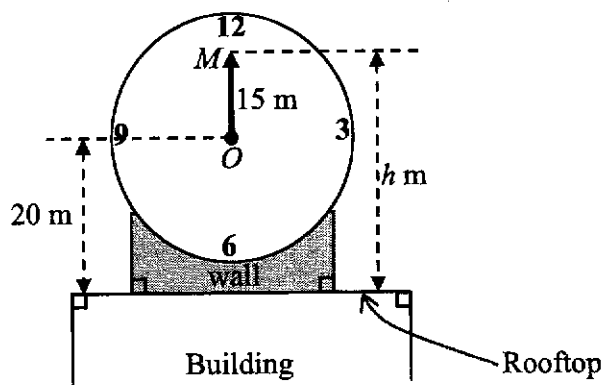
[5]

- 11 (a) (i) Find the range of values of x for which $\ln(x^2 - 3)$ is defined. Leave your answer in surd form. [2]

- (ii) Given that $y = \ln[e^x(x^2 - 3)]$, show that $\frac{dy}{dx}$ can be expressed in the form of $\frac{(x+a)(x+b)}{x^2-3}$. [3]

- 11 (b) It is given that $y = x^3 + px^2 + qx + 10$ where p and q are integers. The only values of x for which y is a decreasing function of x are those values for which $3 < x < 7$. Find the value of p and of q . [4]

12



A clock is set on the vertical wall on the roof of a building. The distance from the centre of the clock, O , to the tip, M , of the minute hand is 15 m. The height, h m, of M above the rooftop is given by $h = a \cos kt + b$, where t is the time in minutes past the hour. O is 20 m above the rooftop. The rooftop is taken to be horizontal.

(a) Write down the value of a and explain why $b = 20$. [2]

(b) Explain why the value of k is $\frac{\pi}{30}$. [1]

12 (c) Sketch the graph of h for $0 \leq t \leq 45$. [3]

(d) Find the two timings in the first hour for which the height of M is 10 m. [4]

BLANK PAGE

Full Name	Class Index No	Class
Answers		



**Anglo-Chinese School
(Parker Road)**

PRELIMINARY EXAMINATION 2024
SECONDARY FOUR EXPRESS / FIVE NORMAL (ACADEMIC)

ADDITIONAL MATHEMATICS
4049
PAPER 1

2 HOURS 15 MINUTES

Candidates answer on the Question Paper.

READ THESE INSTRUCTIONS FIRST

Write your index number and name in the spaces at the top of this page.
Write in dark blue or black pen.
You may use an HB pencil for any diagrams or graphs.

Answer **all** questions.

Give non-exact numerical answers correct to 3 significant figures, or 1 decimal place in the case of angles in degrees, unless a different level of accuracy is specified in the question.
The use of an approved scientific calculator is expected, where appropriate.
You are reminded of the need for clear presentation in your answers.

The number of marks is given in brackets [] at the end of each question or part question.

The total number of marks for this paper is 90.

For Examiner's Use

Mathematical Formulae**1. ALGEBRA***Quadratic Equation*For the equation $ax^2 + bx + c = 0$,

$$x = \frac{-b \pm \sqrt{b^2 - 4ac}}{2a}$$

Binomial expansion

$$(a+b)^n = a^n + \binom{n}{1} a^{n-1} b + \binom{n}{2} a^{n-2} b^2 + \dots + \binom{n}{r} a^{n-r} b^r + \dots + b^n,$$

General Term

where n is a positive integer and $\binom{n}{r} = \frac{n!}{r!(n-r)!} = \frac{n(n-1)\dots(n-r+1)}{r!}$

2. TRIGONOMETRY*Identities*

$$\sin^2 A + \cos^2 A = 1$$

$$\sec^2 A = 1 + \tan^2 A$$

$$\operatorname{cosec}^2 A = 1 + \cot^2 A$$

$$\sin(A \pm B) = \sin A \cos B \pm \cos A \sin B$$

$$\cos(A \pm B) = \cos A \cos B \mp \sin A \sin B$$

$$\tan(A \pm B) = \frac{\tan A \pm \tan B}{1 \mp \tan A \tan B}$$

$$\sin 2A = 2 \sin A \cos A$$

$$\cos 2A = \cos^2 A - \sin^2 A = 2 \cos^2 A - 1 = 1 - 2 \sin^2 A$$

$$\tan 2A = \frac{2 \tan A}{1 - \tan^2 A}$$

Formulae for $\triangle ABC$

$$\frac{a}{\sin A} = \frac{b}{\sin B} = \frac{c}{\sin C}$$

$$a^2 = b^2 + c^2 - 2bc \cos A$$

$$\Delta = \frac{1}{2} bc \sin A$$

- 1 The line $x - y = 3$ intersects the curve $x^2 - 3xy + y^2 + 19 = 0$ at the points P and Q .
Find the coordinates of P and of Q . [5]

$$x - y = 3$$

$$x = y + 3 \dots (1)$$

$$\text{sub (1) into } x^2 - 3xy + y^2 + 19 = 0$$

$$(y+3)^2 - 3(y+3)y + y^2 + 19 = 0$$

$$y^2 + 6y + 9 - 3y^2 - 9y + y^2 + 19 = 0$$

$$-y^2 - 3y + 28 = 0$$

$$y^2 + 3y - 28 = 0$$

$$(y-4)(y+7) = 0$$

$$y = 4 \text{ or } y = -7$$

$$\therefore x = 4 + 3 \text{ or } x = -7 + 3$$

$$= 7 \qquad \qquad \qquad = -4$$

$$\therefore P(7, 4) \text{ and } Q(-4, -7)$$

2 Solve the equation $2^{x+1} + 3(2^{-x}) = 7$.

[5]

- ① use
 $a^m a^n$
 $= a^m \times a^n$
- ② $a^{-n} = \frac{1}{a^n}$

$$(2^x)(2) + \frac{3}{2^x} = 7$$

$$\text{Let } u = 2^x$$

$$2u + \frac{3}{u} = 7$$

$$2u^2 + 3 = 7u$$

$$2u^2 - 7u + 3 = 0$$

$$(2u-1)(u-3) = 0$$

$$u = \frac{1}{2} \text{ or } u = 3$$

$$2^x = 2^{-1} \text{ or } 2^x = 3 \quad (\text{bring lg or ln to both sides})$$

$$x = -1 \text{ or } \lg 2^x = \lg 3$$

$$x \lg 2 = \lg 3$$

$$\therefore x = \frac{\lg 3}{\lg 2}$$

$$= 1.58 \text{ (to 3 sf)}$$

$$\therefore x = -1 \text{ or } 1.58$$

- 3 Express the equation $\log_2 x + \log_4(x-1) = 3$ as a cubic equation in x. [4]

→ higher order = 3

use change of base

$$\log_2 x + \frac{\log_2(x-1)}{\log_2 4} = 3$$

$$\log_2 x + \frac{\log_2(x-1)}{2} = 3$$

use $\log_a b = \frac{\log_c a}{\log_c b}$

$$2 \log_2 x + \log_2(x-1) = 6$$

use $\log a^r = r \log a b$

$$\log_2 x^2 + \log_2(x-1) = 6$$

use $\log_a + \log_c b = \log_c ab$

$$\log_2 x^2(x-1) = 6$$

$$\log_2 x^2(x-1) = 6 \log_2 2$$

$$\log_2 x^2(x-1) = \log_2 2^6$$

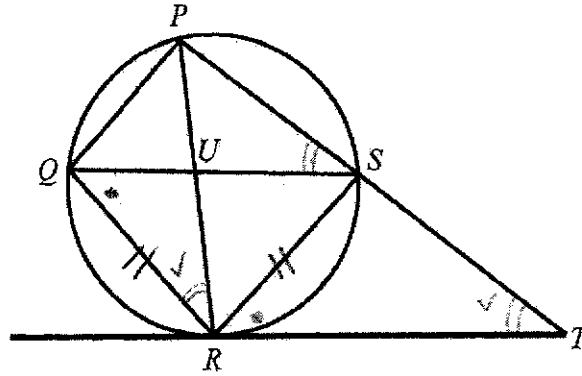
use $\log_a M = \log_a N \Rightarrow \therefore m = N$

$$\therefore x^2(x-1) = 2^6$$

$$x^3 - x^2 - 64 = 0$$

↘ x2 throughout

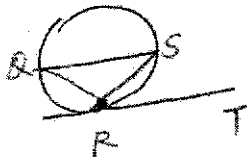
4



A vertices
of quad. on circle

The diagonals of a cyclic quadrilateral $PQRS$ intersect at U . The tangent to the circle at R meets PS produced at T . If $QR = RS$, prove that

- (a) QS is parallel to RT ,
 $\angle SRT = \angle RQS$ (Alternate Segment Theorem) [3]



Given $QR = RS$,
 $\therefore \angle RQS = \angle QSR$ (base \angle s of isos. Δ)

$$\therefore \angle QSR = \angle SRT$$

By converse of alternate angles of parallel lines, QS is parallel to RT , (shown)

- (b) triangles QUR and RST are similar. [3]

$$\angle QRP = \angle QSP \text{ (}\angle\text{s in same segments)}$$

Since QS is parallel to RT

$$\therefore \angle QSP = \angle RTS \text{ (corr. } \angle\text{s, } \parallel\text{ lines)}$$

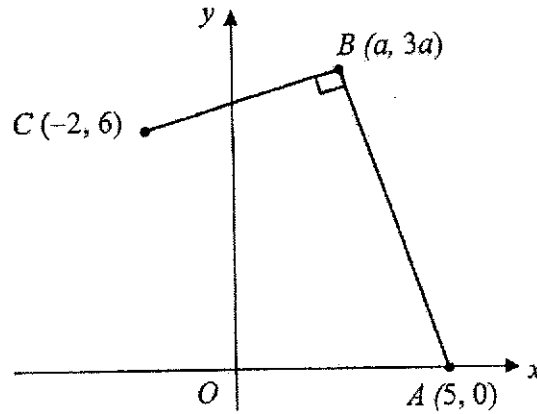
$$\text{Hence } \angle QRP = \angle RTS$$

$$\text{Also } \angle RQU = \angle TRS \text{ (Alternate Segment Theorem)}$$

Hence, by Angle-Angle Similarity Test, triangles QUR and RST are similar.

TURN OVER FOR QUESTION 5

5



The diagram shows points $A(5, 0)$, $B(a, 3a)$ and $C(-2, 6)$ such that the line AB is perpendicular to the line BC .

(a) Show that $a = 2.5$.

[3]

$$m_{BC} \times m_{BA} = -1$$

$$\left(\frac{3a-6}{a+2}\right) \times \left(\frac{3a-0}{a-5}\right) = -1$$

$$\frac{3a-6}{a+2} \times \frac{3a}{a-5} = -1$$

$$\frac{3a(3a-6)}{(a+2)(a-5)} = -1$$

$$9a^2 - 18a = -(a^2 - 3a - 10)$$

$$9a^2 - 18a = -a^2 + 3a + 10$$

$$10a^2 - 21a - 10 = 0$$

$$(5a+2)(2a-5) = 0$$

$$a = -\frac{2}{5} \text{ or } a = \frac{5}{2}, \text{ (shown)}$$

(rejected)

- 5 (b) Find the coordinates of the midpoint of AC . Hence find the coordinates of D such that $ABCD$ is a parallelogram. [3]

$$\begin{aligned} \text{Midpoint of } AC &= \left(\frac{5-2}{2}, \frac{0+6}{2} \right) \\ &= \left(\frac{3}{2}, 3 \right) \end{aligned}$$

$$\left(\frac{3}{2}, 3 \right) = \left(\frac{2.5+x}{2}, \frac{7.5+y}{2} \right)$$

Compare coordinates

$$\frac{3}{2} = \frac{2.5+x}{2}$$

$$\therefore x = 0.5$$

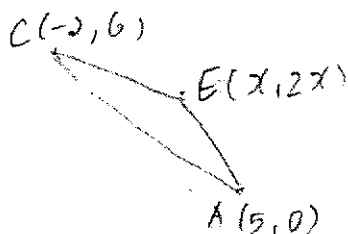
$$3 = \frac{7.5+y}{2}$$

$$6 = 7.5+y$$

$$y = -1.5$$

$$\therefore D(0.5, -1.5)$$

- (c) The area of triangle AEC is 5 units². Find the value of x given that the point E is $(x, 2x)$, where $x > 1$.



$$\frac{1}{2} \begin{vmatrix} 5 & x & -2 & 5 \\ 0 & 2x & 6 & 0 \end{vmatrix} = 5 \quad \text{Anti-clockwise [2]}$$

$$(5 \times 2x + 6 \times x + 0) - (5 \times 6 + (-2 \times 2x) + 0) = 10$$

$$16x + 4x - 30 = 10$$

$$20x = 40$$

$$x = 2$$

- 6 (a) Express $\frac{13x-6}{x^2(2x-3)}$ in partial fractions.

[5]

$$\text{Let } \frac{13x-6}{x^2(2x-3)} = \frac{A}{x} + \frac{B}{x^2} + \frac{C}{2x-3}$$

$$13x-6 = Ax(2x-3) + B(2x-3) + Cx^2$$

$$\text{Sub } x=0, \quad -6 = -3B$$

$$B = 2$$

$$\text{Sub } x = \frac{3}{2}, \quad \frac{39}{2} - 6 = \frac{9}{4}C$$

$$\frac{27}{2} = \frac{9}{4}C$$

$$C = 6$$

Compare coefficient of x^2 ,

$$0 = 2A + C$$

$$0 = 2A + 6$$

$$2A = -6$$

$$A = -3$$

$$\therefore \frac{13x-6}{x^2(2x-3)} = \frac{-3}{x} + \frac{2}{x^2} + \frac{6}{2x-3}$$

6 (b) Hence $\int \frac{13x-6}{x^2(2x-3)} dx$.

$$\int x^{-1} dx = \frac{x^{-1+1}}{-1+1} \leftarrow \text{undefined} \quad [3]$$

$$\int \frac{13x-6}{x^2(2x-3)} dx = \int -\frac{3}{x} dx + \int \frac{2}{x^2} dx + \int \frac{6}{2x-3} dx$$

$$= -3 [\ln x] + 2 \left[\frac{x^{-1}}{(-1)} \right] + 6 \frac{\ln(2x-3)}{2} + C$$

$$= -3 \ln x - \frac{2}{x} + 3 \ln(2x-3) + C$$

use $\int x^n dx = \frac{x^{n+1}}{n+1} + C$

$$\int \frac{1}{x} dx = \ln x + C$$

$$\int \frac{1}{ax+b} dx = \frac{\ln(ax+b)}{a} + C$$

- 7 (a) (i) Write down and simplify, in ascending powers of x , the first four terms of the expansion of $(1-x)^{12}$. [2]

$$\begin{aligned}(1-x)^{12} &= 1 + \binom{12}{1}(-x)^1 + \binom{12}{2}(-x)^2 + \binom{12}{3}(-x)^3 + \dots \\ &= 1 - 12x + 66x^2 - 220x^3 + \dots\end{aligned}$$

- (ii) Hence find the value of p given that the coefficient of x^3 in the expansion of $(2x^2 + 17x + p)(1-x)^{12}$ is 6598. [3]

$$(2x^2 + 17x + p)(1 - 12x + 66x^2 - 220x^3 + \dots)$$

$$\begin{aligned}\text{Term in } x^3 &= 2x^2 \times (12x) + 17x(66x^2) + p(-220x^3) \\ &= 24x^3 + 1122x^3 - 220px^3 \\ &= (1098 - 220p)x^3\end{aligned}$$

Compare coefficient of x^3 ,

$$\begin{aligned}1098 - 220p &= 6598 \\ -220p &= 5500 \\ p &= -25\end{aligned}$$

- 7 (b) In the binomial expansion of $\left(x + \frac{k}{x}\right)^5$, where k is a positive constant, the coefficients of x^3 and x are the same. Find the value of k . [4]

$$\begin{aligned} \text{General term} &= \binom{5}{r} (x)^{5-r} \left(\frac{k}{x}\right)^r \\ &= \binom{5}{r} (k)^r x^{5-2r} \end{aligned}$$

$$\text{Let } x^{5-2r} = x^3$$

$$5-2r = 3$$

$$2r = 2$$

$$r = 1$$

$$\begin{aligned} \therefore \text{Term in } x^3 &= \binom{5}{1} (k)^1 (x)^3 \\ &= 5k x^3 \quad \checkmark \end{aligned}$$

$$\text{Let } x^{5-2r} = x^1$$

$$5-2r = 1$$

$$2r = 4$$

$$r = 2$$

$$\begin{aligned} \text{Term in } x &= \binom{5}{2} (k)^2 (x) \\ &= 10k^2 x \quad \checkmark \end{aligned}$$

same coefficient

$$5k = 10k^2$$

$$5k - 10k^2 = 0$$

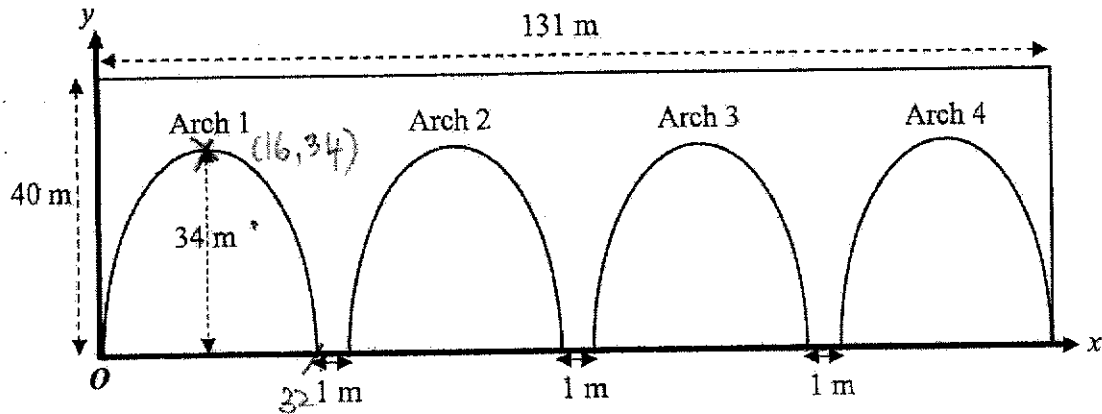
$$5k(1-2k) = 0$$

$$5k = 0 \text{ or } 1-2k = 0$$

$$\text{rejected } k = \frac{1}{2}$$

(given k is positive constant)

8



A civil engineer is designing a bridge which is 131 metres long, 40 metres high and is to have four identical parabolic arches along its length. Each arch is 34 metres high and there is one metre between bases of each adjacent pair of arches as shown in the diagram. A set of axes is placed with the origin at the left-hand end of the base of the first arch.

- (a) Find the x -intercepts of Arch 1. [2]

$$\frac{131 - (3 \times 1)}{4} = 32$$

x intercepts = 0 and 32 "

- (b) The equation representing Arch 1 can be written in the form $y = a(x-p)(x-q)$. Show that $a = -\frac{17}{128}$. [2]

$$y = a(x-0)(x-32)$$

$$y = ax(x-32)$$

Turning point of equation for Arch 1 is $(\frac{32}{2}, 34)$
 $= (16, 34)$

$$\text{Sub } x=16, y=34$$

$$34 = a(16)(16-32)$$

$$34 = -256a$$

$$\therefore a = \frac{34}{-256} = -\frac{17}{128} \text{ " (shown)}$$

- 8 (c) Explain, with workings, if the point (50, 30) ^{lies on} passes through Arch 2. [3]

$$\begin{aligned} \text{x-intercepts of Arch 2} &= 33, (33+32) \\ &= 33 \text{ and } 65 \end{aligned}$$

$$y = -\frac{17}{128}(x-33)(x-65)$$

$$\text{Sub } x = 50$$

$$\begin{aligned} y &= -\frac{17}{128}(50-33)(50-65) \\ &= 33.8671 \\ &\neq 30 \end{aligned}$$

Since (50, 30) does not satisfy the equation representing Arch 2, the point is not lying on the Arch 2.

- 9 (a) Differentiate $x \sin x + \cos x$ with respect to x .

[2]

$$\begin{aligned} & \frac{d}{dx} (x \sin x + \cos x) \\ & \text{product rule} \\ & u \frac{dv}{dx} + v \frac{du}{dx} \rightarrow [1 \cdot \sin x + x \cdot \cos x] - \sin x \\ & = x \cos x \end{aligned}$$

- (b) Show that $\frac{d}{dx} \left(\frac{1}{3} x \sin^3 x \right) = \frac{1}{3} \sin^3 x - x \cos^3 x + x \cos x$.

[3]

$$\begin{aligned} \frac{d}{dx} \left(\frac{1}{3} x \sin^3 x \right) &= \frac{1}{3} \sin^3 x + \frac{1}{3} x [3 \sin^2 x \cdot \cos x] \\ &= \frac{1}{3} \sin^3 x + x \sin^2 x \cos x \\ &= \frac{1}{3} \sin^3 x + x (1 - \cos^2 x) \cos x \\ &= \frac{1}{3} \sin^3 x + x \cos x - x \cos^3 x \\ &= \frac{1}{3} \sin^3 x - x \cos^3 x + x \cos x \end{aligned}$$

- 9 (c) Using the results found in part (a) and part (b), find $\int (\sin^3 x - 3x \cos^3 x) dx$. [4]

$$\text{use (b)} \Rightarrow \int \frac{1}{3} \sin^3 x - x \cos^3 x + x \cos x dx = \frac{1}{3} x \sin^3 x + C,$$

$$\int \frac{1}{3} \sin^3 x - x \cos^3 x dx + \int x \cos x dx = \frac{1}{3} x \sin^3 x + C,$$

$$\begin{aligned} \int \frac{1}{3} \sin^3 x - x \cos^3 x dx &= \frac{1}{3} x \sin^3 x + C_1 - \int x \cos x dx \quad \text{use (a)} \\ &= \frac{1}{3} x \sin^3 x + C_1 - [x \sin x + \cos x + C_2] \end{aligned}$$

$$\int \frac{1}{3} \sin^3 x - x \cos^3 x dx = \frac{1}{3} x \sin^3 x - x \sin x - \cos x + C_3$$

$$\text{factor } \frac{1}{3} \int \sin^3 x - 3x \cos^3 x dx = \frac{1}{3} x \sin^3 x - x \sin x - \cos x + C_3$$

$$\times 3 \therefore \int \sin^3 x - 3x \cos^3 x dx = x \sin^3 x - 3x \sin x - 3 \cos x + C''$$

- 10 (a) Prove the identity $\frac{\cos x}{\operatorname{cosec} x - 1} + \frac{\cos x}{\operatorname{cosec} x + 1} = 2 \tan x$. [5]

$$\begin{aligned}
 \text{LHS} &= \frac{\cos x (\operatorname{cosec} x + 1) + \cos x (\operatorname{cosec} x - 1)}{\operatorname{cosec}^2 x - 1} \\
 &= \frac{\cos x \left[\left(\frac{1}{\sin x} + 1 \right) + \left(\frac{1}{\sin x} - 1 \right) \right]}{\cot^2 x} \\
 &= \frac{\cos x \left[\frac{2}{\sin x} \right]}{\cot^2 x} \\
 &= \frac{2 \cot x}{\cot^2 x} \\
 &= \frac{2}{\cot x} \\
 &= 2 \tan x \\
 &= \text{RHS (proven)}
 \end{aligned}$$

\star
 $\operatorname{cosec}^2 x = 1 + \cot^2 x$
 \star
 $\operatorname{cosec} x = \frac{1}{\sin x}$
 \star
 $\frac{\cos x}{\sin x} = \cot x$
 \star
 $\frac{1}{\cot x} = \tan x$

- 10 (b) Solve the equation $\tan x + 2\sec^2 x = 5$ for $0 \leq x \leq 2\pi$.

[5]

$$\tan x + 2(1 + \tan^2 x) = 5$$

$$\tan x + 2 + 2\tan^2 x = 5$$

$$2\tan^2 x + \tan x - 3 = 0$$

$$(2\tan x + 3)(\tan x - 1) = 0$$

$$\text{Q2, Q4} \leftarrow \tan x = -\frac{3}{2} \quad \text{or} \quad \tan x = 1 \rightarrow \text{Q1, Q4}$$

$$\text{basic } \angle = \tan^{-1}\left(\frac{3}{2}\right)$$

$$= 0.9827$$

$$\therefore x = \pi - 0.9287, 2\pi - 0.987$$

$$= 2.16 \text{ or } 5.30 \text{ (to 3sf)}$$

or

$$\tan x = 1$$

$$x = \frac{\pi}{4}, \pi + \frac{\pi}{4}$$

$$= \frac{\pi}{4}, \frac{5\pi}{4}$$

$$\therefore x = \frac{\pi}{4}, 2.16, \frac{5\pi}{4}, 5.30, \text{ radians}$$

- 11 (a) (i) Find the range of values of x for which $\ln(x^2 - 3)$ is defined. Leave your answer in surd form. [2]

$$x^2 - a^2 = (x+a)(x-a)$$

$x^2 - 3 > 0$

$$(x + \sqrt{3})(x - \sqrt{3}) > 0$$

$x < -\sqrt{3} \text{ or } x > \sqrt{3}$

above x-axis

$$\therefore x^2 - a = (x + \sqrt{a})(x - \sqrt{a})$$

$$\boxed{x^2 > 3}$$

$$x > \pm\sqrt{3}$$

- (ii) Given that $y = \ln[e^x(x^2 - 3)]$, show that $\frac{dy}{dx}$ can be expressed in the

form of $\frac{(x+a)(x+b)}{x^2-3}$.

[3]

$$\frac{dy}{dx} = \frac{1}{e^x(x^2-3)} \cdot [e^x \cdot 2x + e^x(x^2-3)]$$

$$= \frac{e^x [x^2 + 2x - 3]}{e^x(x^2-3)}$$

$$= \frac{(x+3)(x-1)}{(x^2-3)}$$

$$\frac{d(\ln x)}{dx} = \frac{1}{x}$$

$$\frac{d}{dx}(e^x) = e^x$$

$$\frac{d}{dx}(\ln f(x)) = \frac{f'(x)}{f(x)}$$

- 11 (b) It is given that $y = x^3 + px^2 + qx + 10$ where p and q are integers. The only values of x for which y is a decreasing function of x are those values for which $3 < x < 7$. Find the value of p and of q . $\rightarrow \frac{dy}{dx} < 0$ [4]

$$3 < x < 7$$

$$(x-3)(x-7) < 0$$

$$x^2 - 10x + 21 < 0 \quad \dots (1)$$

$$y = x^3 + px^2 + qx + 10$$

$$\frac{dy}{dx} = 3x^2 + 2px + q$$

$$\frac{dy}{dx} < 0 \quad \text{since } y \text{ is decreasing}$$

$$\therefore 3x^2 + 2px + q < 0$$

$$x^2 + \frac{2}{3}px + \frac{q}{3} < 0 \quad \dots (2)$$

Compare coefficients of x & constants in

(1) & (2)

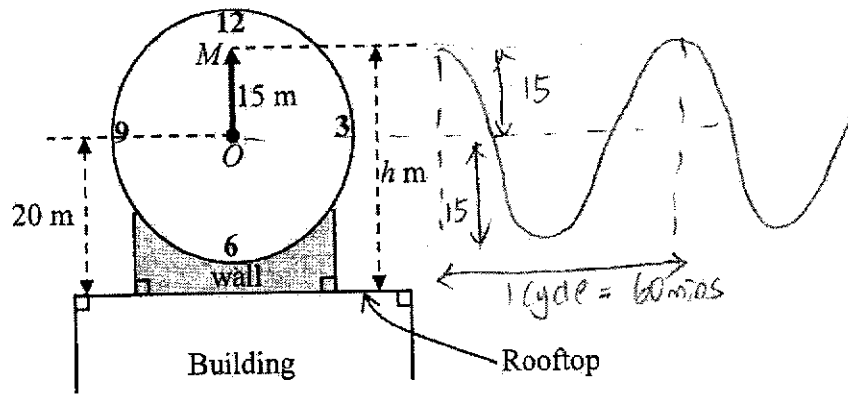
$$-\frac{2}{3}p = -10$$

$$p = -15$$

$$\frac{q}{3} = 21$$

$$q = 63$$

12



A clock is set on the vertical wall on the roof of a building.

The distance from the centre of the clock, O , to the tip, M , of the minute hand is 15 m.

The height, h m, of M above the rooftop is given by $h = a \cos kt + b$, where t is the time in minutes past the hour. O is 20 m above the rooftop. The rooftop is taken to be horizontal. \rightarrow start from digit 12 & move towards digit 1, 2, 3, ...

(a) Write down the value of a and explain why $b = 20$. [2]

$$a = 15$$

Maximum height, h , of $M = 35$ m above the rooftop.

Minimum height of $M = 5$ m

$b =$ average of the maximum and minimum values of h

$$= \frac{35 + 5}{2} = 20 \text{ m}$$

(b) Explain why the value of k is $\frac{\pi}{30}$. [1]

The minute hand takes 60 minutes to complete 1 cycle, before return back to digit 12.

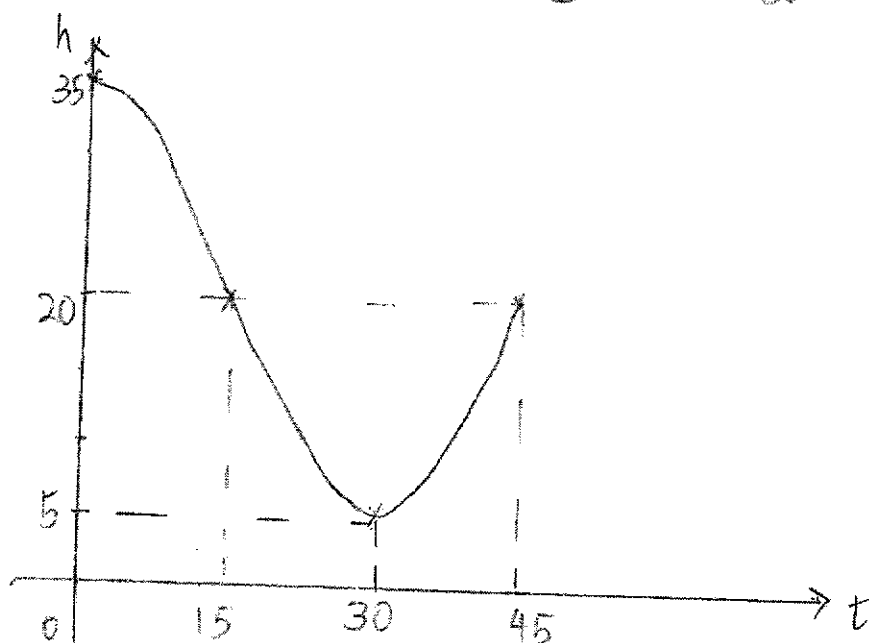
$$\text{Period} = \frac{2\pi}{k} = 60$$

$$\therefore k = \frac{2\pi}{60} = \frac{\pi}{30}$$

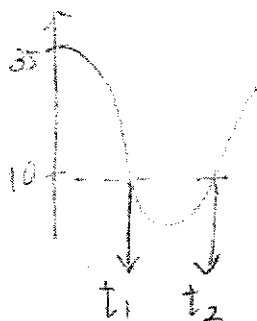
- 12 (c) Sketch the graph of h for $0 \leq t \leq 45$.

$$y = 15 \cos \frac{\pi}{30} t + 20 \quad [3]$$

$$60 \div 4 \\ = 15$$



- (d) Find the two timings in the first 60 mins for which the height of M is 10 m. [4]



$$15 \cos \frac{\pi}{30} t + 20 = 10$$

$$0 < t < 60$$

$$\cos \frac{\pi}{30} t = \frac{-10}{15} \rightarrow Q2, Q3 \quad 0 < \frac{\pi}{30} t < 2\pi$$

$$\text{basic } \angle = \cos^{-1}\left(\frac{2}{3}\right)$$

$$= 0.84106$$

$$\frac{\pi}{30} t = \pi - 0.84106, \quad \pi + 0.84106$$

$$t = \frac{2.300532}{\left(\frac{\pi}{30}\right)}, \quad \frac{13.98265}{\left(\frac{\pi}{30}\right)}$$

$$= 21.9684, \quad 38.03153$$

$$t \approx 22.0 \text{ mins or } 38.0 \text{ mins}$$

BLANK PAGE