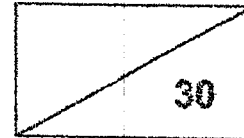


Catholic High School (Primary)
Primary 5 Mathematics 2022
Weighted Assessment 2

NAME : _____ () DATE : _____

CLASS : _____

PARENT'S SIGNATURE : _____



Section A

Questions 1 to 4 carry 2 marks each. For each question, four options are given. Make your choice (1, 2, 3 or 4) and write your choice in the bracket provided. All diagrams are not drawn to scale. (8 marks)

1. What is the missing number in the box below?

$$12 : 30 = \boxed{} : 25$$

- (1) 5
 (2) 7
 (3) 10
 (4) 17

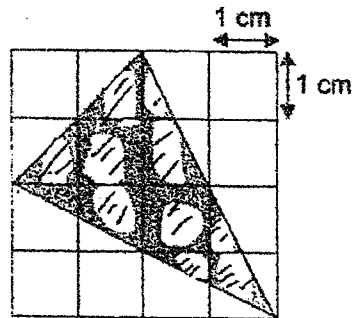
()

2. A board game costs \$63. A toy costs \$45 less than the board game. Find the ratio of the cost of the toy to the cost of the board game in the simplest form.

- (1) 2 : 7
 (2) 5 : 7
 (3) 7 : 2
 (4) 7 : 5

()

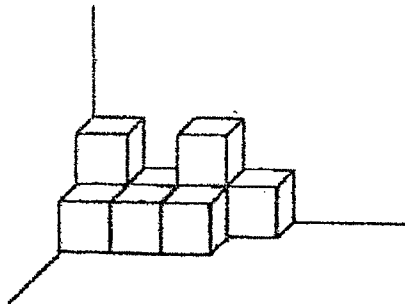
3. The shaded figure below is drawn on a square grid. Find the area of the shaded figure.



- (1) 3 cm^2
 (2) 6 cm^2
 (3) 8 cm^2
 (4) 10 cm^2

()

4. The solid below is made up of 1-cm cubes. What is the least number of cubes to be added to the solid to form a cuboid?



- (1) 17
 (2) 16
 (3) 7
 (4) 5

()

Section B

Questions 5 to 10 carry 2 marks each. Show your working clearly and write your answers in the spaces provided. For questions which require units, give your answers in the units stated. All diagrams are not drawn to scale.

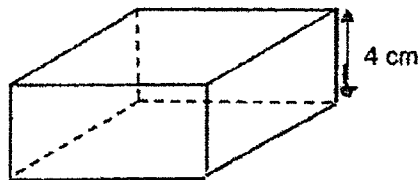
(12 marks)

Do not write
in this space

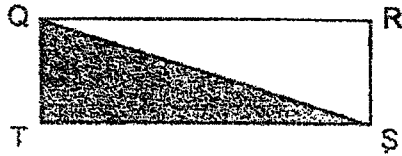
5. There were 84 children in a movie theatre. The ratio of the number of adults to the number of children in the movie theatre was 8 : 7. How many more adults than children were there in the movie theatre?

Ans: _____

6. The figure below shows a cuboid with a square base and a height of 4 cm. The side of the square base is twice of its height. Find the volume of the cuboid.

Ans: _____ cm³

7. The perimeter of rectangle QRST is 80 cm. The length QR is 3 times as long as its breadth RS. Find the area of the shaded triangle QST.



Do not write
in this space

Ans: _____ cm²

8. The ratio of the number of fish in Tank A to the number of fish in Tank B was 5 : 9. There were 48 fewer fish in Tank A than in Tank B. How many fish were there in Tank A and Tank B altogether?

Ans: _____

9. The age of three siblings, Alan, Belle and Carl, are in the ratio of 1 : 3 : 2 now. Do not write in this space

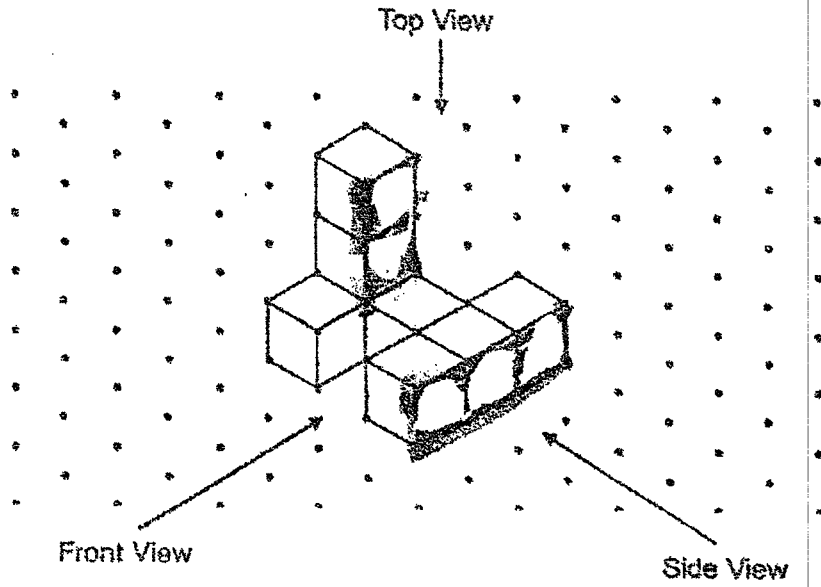
Each statement below is either true, false or not possible to tell from the information given. For each statement, put a (✓) in the correct column.

Statement	True	False	Not possible to tell
(a) The sum of Alan's and Belle's age is twice of Carl's age.			
(b) In two years' time, when Carl is 6 years old, Alan will be 3 years old.			

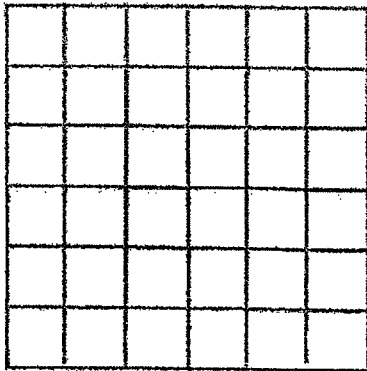
10. The following solid is made up of 8 unit cubes. Draw the ~~front view~~ and the side view of the solid.

Top view

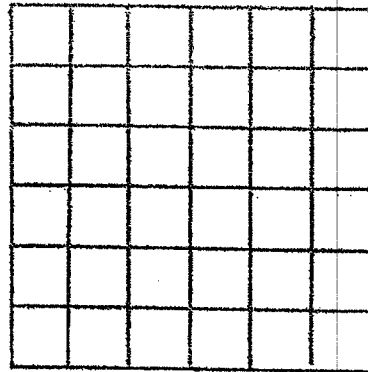
Do not write in this space



Side View



Top View

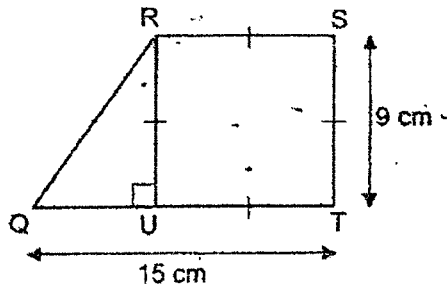


Section C

For questions 11 to 13, show your working clearly in the space provided for each question and write your answers in the spaces provided. The number of marks available is shown in brackets [] at the end of each question or part-question. (10 marks)

Do not write
in this space

11. In the figure, QRSTU is made up of triangle QRU and square RSTU. ST = 9 cm and QT = 15 cm. Find the area of the figure QRSTU.



Ans: _____ [3]

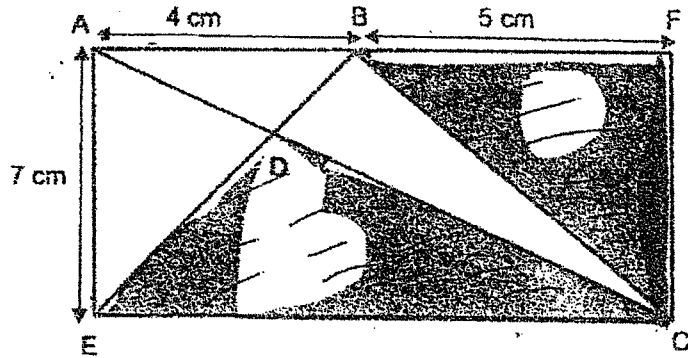
12. Sam bought an oven, a pan and a toaster. The ratio of the cost of the oven to the cost of the pan to the cost of the toaster is 5 : 1 : 2. He paid \$384 for all three items. How much did he pay for the oven?

Ans: _____

Ans: _____ [3]

13. In the figure below, AFCE is a rectangle and the unshaded figure is made up of three triangles ABD, BCD and ADE. AB = 4 cm, AE = 7 cm and BF = 5 cm. The area of triangle ABD is 5 cm^2 , find the total area of the shaded parts.

Do not write in this space



Ans: _____ [4]



END OF PAPER

ANSWER KEY

YEAR : 2022

LEVEL : PRIMARY 5

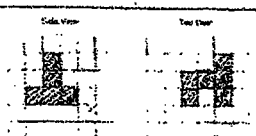
SCHOOL : CATHOLIC HIGH SCHOOL (Primary)

SUBJECT : MATHEMATICS

TERM : WA2

WA2

Q1	3	Q2	1	Q3	2	Q4	3
----	---	----	---	----	---	----	---

Q5	$84 \div 7 = 12$ <p style="text-align: right;">Ans : 12</p>	Q6	$4 \times 2 = 8$ $8 \times 8 \times 4 = 256$ <p style="text-align: right;">Ans : 256</p>
Q7	$80 \div 8 = 10$ $30 \times 10 = 300$ $300 \div 2 = 150$ <p style="text-align: right;">Ans : 150</p>	Q8	$48 \div 4 = 12$ $12 \times 14 = 168$ <p style="text-align: right;">Ans : 168</p>
Q9	(a) True (b) False	Q10	
Q11	$9 \times 9 = 81$ $15 - 9 = 6$ $\frac{1}{2} \times 6 \times 9 = 27$ $27 + 81 = 108$ <p style="text-align: right;">Ans : 108cm^2</p>	Q12	$384 \div 8 = 48$ $48 \times 5 = 240$ <p style="text-align: right;">Ans : \$240</p>
Q13	$9 \times 7 = 63$ $2 \times \frac{1}{2} \times 4 \times 7 = 28$ $63 - 28 - 5 = 40$ <p style="text-align: right;">Ans : 40cm^2</p>		

