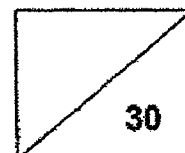




Maha Bodhi School
2022 Weighted Assessment 1
Mathematics Review 1
Primary 5



Name: _____ ()

Class: Primary 5 _____

Duration: 40 minutes

Date: 10 May 2022

Parent's Signature: _____

Note: The use of calculators is NOT allowed.

Questions 1 to 6 carry 1 mark each. Questions 7 to 10 carry 2 marks each.
 For each question, four options are given. One of them is the correct answer.
 Make your choice (1, 2, 3 or 4) and write your choice in the bracket () provided.
 (14 marks)

1. In 561 403, which digit is in the hundred thousands place?

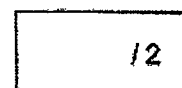
- (1) 1
- (2) 5
- (3) 6
- (4) 4

()

2. Round 428 567 to the nearest thousand.

- (1) 400 000
- (2) 428 000
- (3) 429 000
- (4) 430 000

()

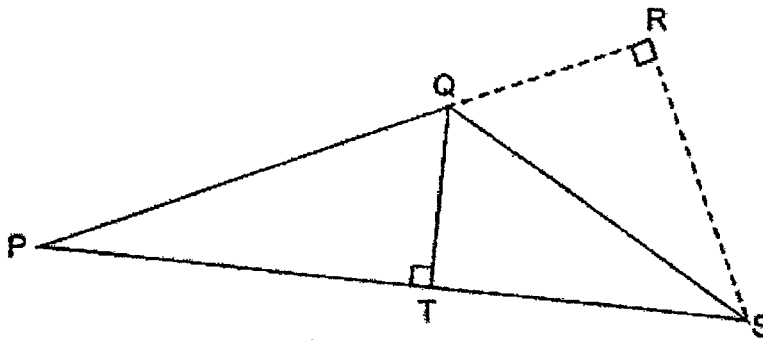


3. Express $8\frac{1}{20}$ as a decimal.

- (1) 8.5
- (2) 8.12
- (3) 8.1
- (4) 8.05

()

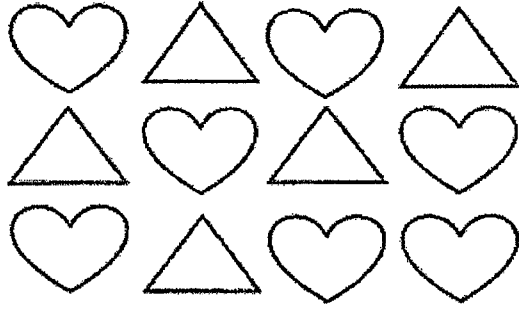
4. Find the base of triangle PQS that is related to the given height RS.



- (1) PS
- (2) QP
- (3) RP
- (4) RQ

()

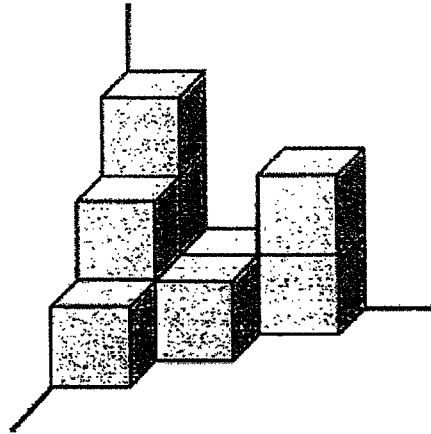
5. What is the ratio of the number of hearts to the total number of hearts and triangles?



- (1) 7 : 12
- (2) 5 : 12
- (3) 7 : 5
- (4) 5 : 7

()

6. The solid below is made up of 1-cm cubes. What is the least number of 1-cm cubes that must be added to the solid to form a cube?



- (1) 10
- (2) 17
- (3) 19
- (4) 27

()

12

7. Find the value of $96 - 72 \div 8 + 4 \times 15$

(1) 30

(2) 63

(3) 105

(4) 147

()

8. Arrange these fractions from the largest to the smallest.

$$\frac{8}{7}, 1\frac{1}{8}, \frac{4}{3}$$

(1) $1\frac{1}{8}, \frac{8}{7}, \frac{4}{3}$

(2) $\frac{8}{7}, \frac{4}{3}, 1\frac{1}{8}$

(3) $\frac{4}{3}, 1\frac{1}{8}, \frac{8}{7}$

(4) $\frac{4}{3}, \frac{8}{7}, 1\frac{1}{8}$

()

9. Mr Low had some money. He used $\frac{1}{3}$ of it to buy a laptop and gave $\frac{1}{5}$ of the remaining money to his wife. What fraction of his money had he left?

(1) $\frac{8}{15}$

(2) $\frac{7}{15}$

(3) $\frac{2}{15}$

(4) $\frac{1}{15}$

()

10. Susan gave some sweets to her cousins and classmates. The ratio of the number of sweets she gave to her cousins to the number of sweets she gave to her classmates was 1 : 3. She gave 84 more sweets to her classmates than to her cousins. How many sweets did she give to her classmates?

- (1) 42
(2) 63
(3) 126
(4) 252

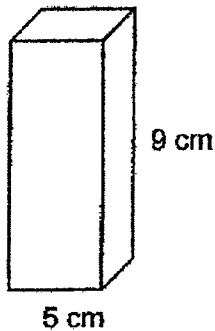
()

Questions 11 to 14 carry 1 mark each. Write your answers in the spaces provided.
For questions which require units, give your answers in the units stated. (4 marks)

11. List all the common factors of 16 and 36.

Ans: _____

12. The cuboid below has a square base. What is its volume?



Ans: _____ cm³

13. Find the value of $2\frac{7}{8} - 1\frac{3}{5}$

Ans: _____

14. What is the missing number in the box below?

$$32 : 16 = \boxed{?} : 25$$

Ans: _____

14

Questions 15 to 20 carry 2 marks each. Show your working clearly in the space below each question and write your answers in the spaces provided. For questions which require units, give your answers in the units stated. (12 marks)

15. Matthew and Cayden shared some cards. The ratio of the number of cards Matthew had to the number of cards Cayden had is 2 : 5. Matthew had 124 cards. How many cards did they have altogether?

Ans: _____

16. 6 years ago, Mdm Siti was 5 times as old as her son. Their total age is 66 years now. How old is Mdm Siti now?

Ans: _____

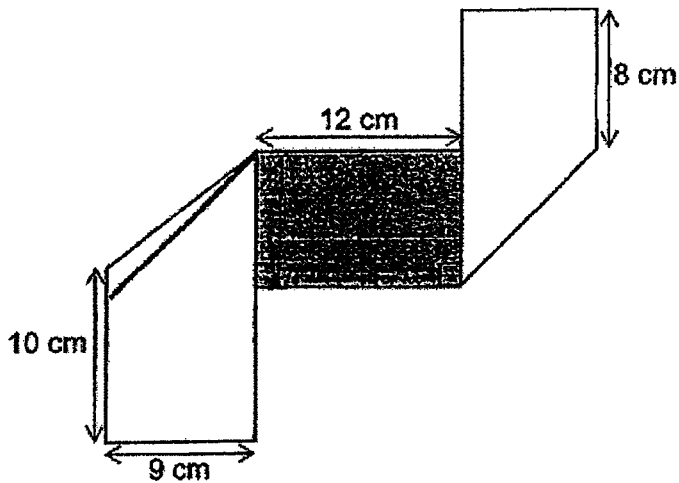
17. Shop A sold twice as many doughnuts as Shop B. Shop C sold 3 times as many doughnuts as Shop A. Shop C sold 592 more doughnuts than Shop A. How many doughnuts did Shop B sell?

Ans: _____

18. Charlotte had 48 stickers and Makayla had 32 stickers. Charlotte gave 12 of her stickers to Makayla. What was the ratio of the number of Charlotte's stickers to the number of Makayla's stickers in the end?
Leave your answer in its simplest form.

Ans: _____

19. A rectangular piece of ribbon was folded at both ends to form the figure as shown below. Find the area of the rectangular piece of ribbon before it was folded.



Ans: _____ cm^2

14

20. Janna and Nadiah had some paper cranes. Janna had 78 more paper cranes than Nadiah. After Janna gave away 9 paper cranes and Nadiah gave away 7 paper cranes, the number of paper cranes Nadiah had left was $\frac{1}{6}$ of the total number of paper cranes left. How many paper cranes did Nadiah have left?

Ans: _____

12



*Remember to check your work!
~ End of Paper ~*

SCHOOL : MAHA BODHI PRIMARY SCHOOL
 LEVEL : PRIMARY 5
 SUBJECT : MATH
 TERM : 2022 WA1

Q 1	Q2	Q3	Q4	Q5	Q6	Q7	Q8	Q9	Q10
2	3	4	2	1	2	4	4	1	3

Q11)	1, 2, 4	
Q12)	$9 \times 5 = 45$ $45 \times 5 = 225 \text{ CM}^3$	
Q13)	$1 \frac{11}{240}$	
Q14)	$2 \times 25 = 50$	
Q15)	M : c $2 : 5$ $2 \text{ units} = 124$ $1 \text{ unit} = 124 \div 2 = 62$	altogether $\rightarrow 7$ units $7 \text{ units} = 7 \times 62$ $= 434 \text{ cards}$
Q16)	51	
Q17)	Shop B $\rightarrow 1$ unit $4 \text{ units} = 592$ $1 \text{ unit} = 592 \div 4 = 148$	
Q18)	9 : 11	
Q19)	$48 \times 9 = 432 \text{ cm}^2$	
Q20)	$4u = 76$ $1u = 76 \div 4 = 19$	

