

# Anglo-Chinese School (Junior)



SEMESTRAL ASSESSMENT 1 (2019)

PRIMARY 5

MATHEMATICS

PAPER 1

Booklet A

Wednesday

15 May 2019

1 h

Name: \_\_\_\_\_ ( ) Class: 5.( )

## INSTRUCTIONS TO PUPILS

- 1 Do not turn over the pages until you are told to do so.
- 2 Follow all instructions carefully.
- 3 Answer ALL questions.
- 4 Shade your answers in the Optical Answer Sheet (OAS) provided.
- 5 You are **not** allowed to use a calculator for this paper.

---

This question paper consists of 6 printed pages (inclusive of cover page).

Questions 1 to 10 carry 1 mark each. Questions 11 to 15 carry 2 marks each.  
For each question, four options are given. One of them is the correct answer. Make your choice (1, 2, 3 or 4). Shade the correct oval (1, 2, 3 or 4) on the Optical Answer Sheet (OAS). (20 marks)

---

1.  $4872 = 4000 + \square + 70 + 2$

The missing number in the box is \_\_\_\_\_.

- (1) 8
- (2) 80
- (3) 800
- (4) 8000

2. A number has digit 3 in the **ones** place and **thousands** place, and digit 1 in the **hundred thousands** place. Which of the following is the number?

- (1) 3103
- (2) 13 003
- (3) 10 3003
- (4) 13 0003

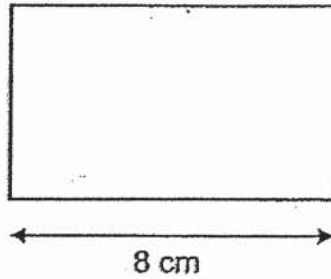
3. Express  $\frac{15}{8}$  as a decimal.

- (1) 1.5
- (2) 1.675
- (3) 1.775
- (4) 1.875

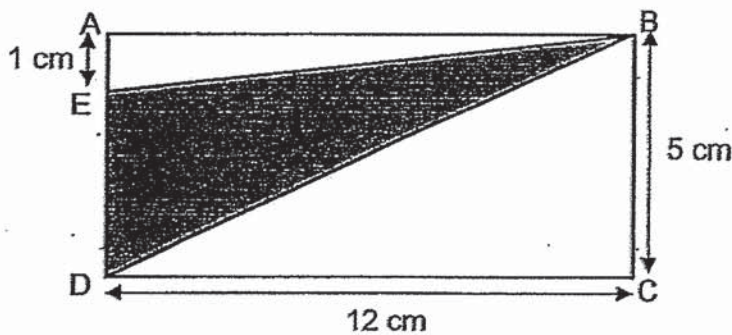
4. How many ninths are there in  $1\frac{2}{3}$ ?

- (1) 5
- (2) 7
- (3) 13
- (4) 15

5. The area of the rectangle is  $48 \text{ cm}^2$ . The length is  $8 \text{ cm}$ . What is the perimeter?

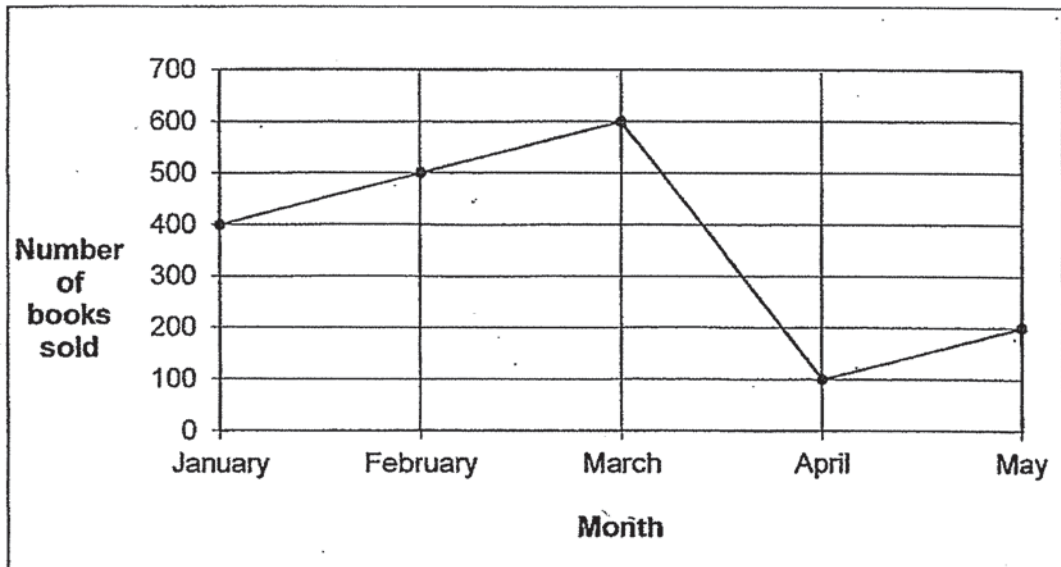


- (1)  $24 \text{ cm}$   
(2)  $28 \text{ cm}$   
(3)  $32 \text{ cm}$   
(4)  $40 \text{ cm}$
6. Julie attended her piano lesson in the afternoon. The lesson lasted for  $1 \text{ h } 15 \text{ min}$  and ended at  $15 \text{ 00}$ . At what time did the piano lesson start?
- (1)  $13 \text{ 30}$   
(2)  $13 \text{ 45}$   
(3)  $14 \text{ 15}$   
(4)  $16 \text{ 15}$
7. ABCD is a rectangle.  $CD = 12 \text{ cm}$ ,  $BC = 5 \text{ cm}$  and  $AE = 1 \text{ cm}$ . What is the area of triangle BDE?

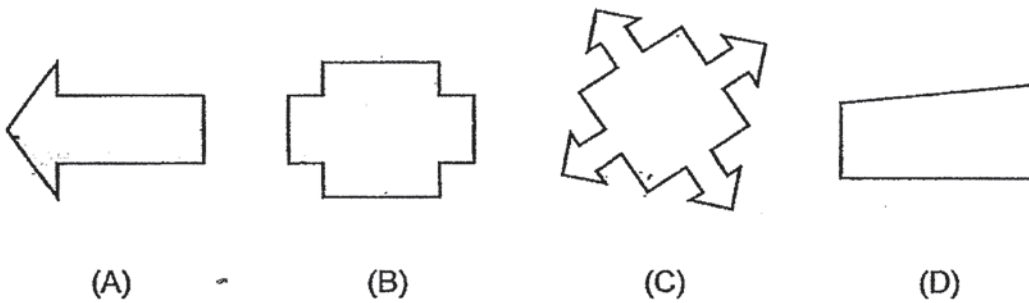


- (1)  $24 \text{ cm}^2$   
(2)  $30 \text{ cm}^2$   
(3)  $48 \text{ cm}^2$   
(4)  $60 \text{ cm}^2$

8. The line graph shows the number of books sold in a book store for the past 5 months.



- On which two months were a total of 900 books sold?
- (1) March and May
  - (2) March and April
  - (3) February and May
  - (4) January and February
9. Which of the following figures has only one line of symmetry?



- (1) A
- (2) B
- (3) C
- (4) D

10. What is the missing number in the box?

$$14 : 21 = 6 : \boxed{?}$$

- (1) 7
- (2) 8
- (3) 9
- (4) 10

11. The cost of 2 wallets and 2 bags is \$192. A bag cost 3 times as much as a wallet. What is the cost of a bag?

- (1) \$24
- (2) \$48
- (3) \$72
- (4) \$96

12. For every 25 buttons Mrs Wong paid for at a shop, she received 5 buttons free. Mrs Wong got 480 buttons from the shop. What was the least number of buttons she paid for?

- (1) 30
- (2) 80
- (3) 320
- (4) 400

13.  $\frac{1}{3}$  of the beads in a box are blue.  $\frac{1}{6}$  of the remainder are yellow beads and the rest are red beads. What fraction of the beads are red?

- (1)  $\frac{1}{2}$
- (2)  $\frac{1}{9}$
- (3)  $\frac{5}{9}$
- (4)  $\frac{7}{18}$

14. Ian was facing North-west at first. Through what angle must Ian turn in a clockwise direction to face East?



- (1)  $90^\circ$   
(2)  $135^\circ$   
(3)  $180^\circ$   
(4)  $225^\circ$
15. Linda and Mike had a total of \$92. Linda had \$36. What is the ratio of the amount of money Linda had to the amount of money Mike had?
- (1) 9 : 23  
(2) 9 : 14  
(3) 14 : 9  
(4) 14 : 23

**END OF BOOKLET A**

# Anglo-Chinese School (Junior)



**SEMESTRAL ASSESSMENT 1 (2019)**

**PRIMARY 5**

**MATHEMATICS**

**PAPER 1**

**Booklet B**

**Wednesday**

**15 May 2019**

**1 h**

Name: \_\_\_\_\_ ( ) Class: 5.( )

## **INSTRUCTIONS TO PUPILS**

- 1 Do not turn over the pages until you are told to do so.
- 2 Follow all instructions carefully.
- 3 Answer ALL questions.
- 4 You are not allowed to use a calculator for this paper.

---

**This question paper consists of 8 printed pages (inclusive of cover page).**



Questions 16 to 20 carry 1 mark each. Write your answers in the spaces provided. For questions which require units, give your answers in the units stated. (5 marks)

---

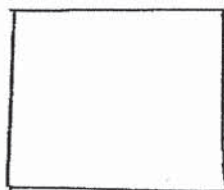
16. Find the value of  $6 \times 8 + (10 - 7) \div 3$ .

Ans: \_\_\_\_\_

17. Find the value of  $18 \times \frac{5}{8}$ . Give your answer as a mixed number in the simplest form.

Ans: \_\_\_\_\_

18. The perimeter of a square is 36 m. What is the area of the square?



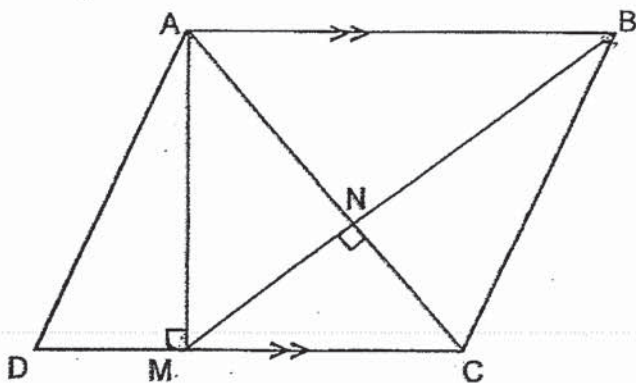
Ans: \_\_\_\_\_ m<sup>2</sup>

B2

Sub-Total :



19. In the figure below, the base of triangle BMC is MC. Which line is the height of triangle BMC.



Ans: Line \_\_\_\_\_

20. Dave and Eric shared some sweets in the ratio of 11 : 7. Eric had the 84 sweets. How many sweets did they have altogether?

Ans: \_\_\_\_\_

B3

Sub-Total :

Questions 21 to 30 carry 2 marks each. Show your working clearly and write your answers in the spaces provided. For questions which require units, give your answers in the units stated. (20 marks)

---

21. Mrs Dawson bakes some cupcakes. If she packs them equally into boxes of 4, she will have 42 boxes. If she packs them equally into boxes of 6, how many boxes will she have?

Ans: \_\_\_\_\_ boxes

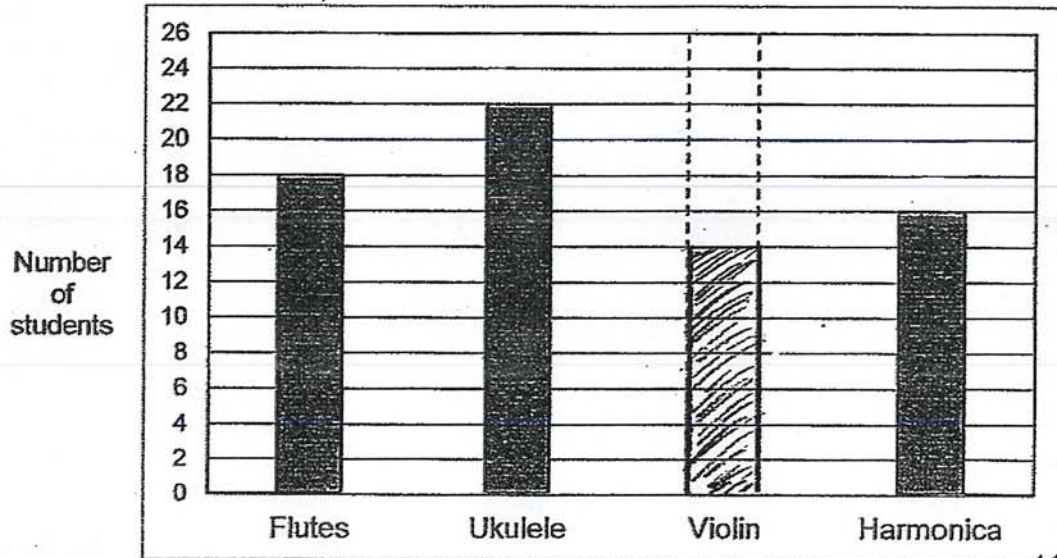
22. Rita spent  $\frac{1}{4}$  of her money on food and  $\frac{2}{5}$  of her money on transport. She had \$84 left. How much money did she have at first?

Ans: \$ \_\_\_\_\_

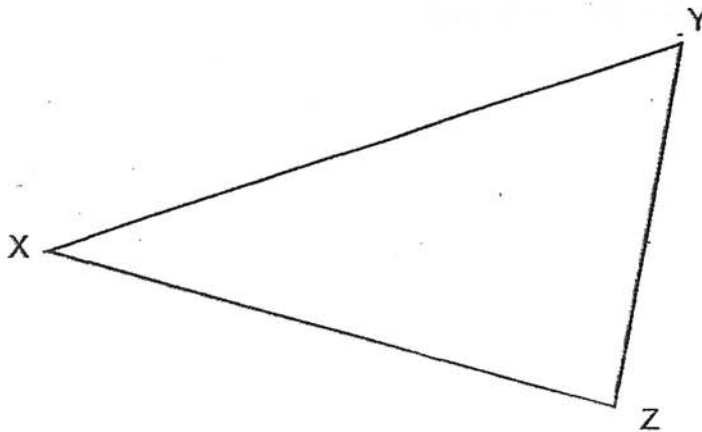
B4

Sub-Total :

23. The bar graph shows the number of students playing 4 different types of musical instruments during a concert. Each student plays only one type of instrument and  $\frac{1}{5}$  of the students play the violin. Draw the bar that shows the number of students who play violin.



24. Measure and write down the size of  $\angle XYZ$ .



Ans: \_\_\_\_\_ °

B5

Sub-Total :

25. \$5456 is shared among Alice, Betty and Carol in the ratio 5 : 4 : 2. How much more money does Alice have than Betty?

Ans: \$ \_\_\_\_\_

26. Two whole numbers add up to 639. What is the smallest difference between the two numbers? Write down these two numbers.

Ans: Smallest difference: \_\_\_\_\_

Numbers: \_\_\_\_\_, \_\_\_\_\_

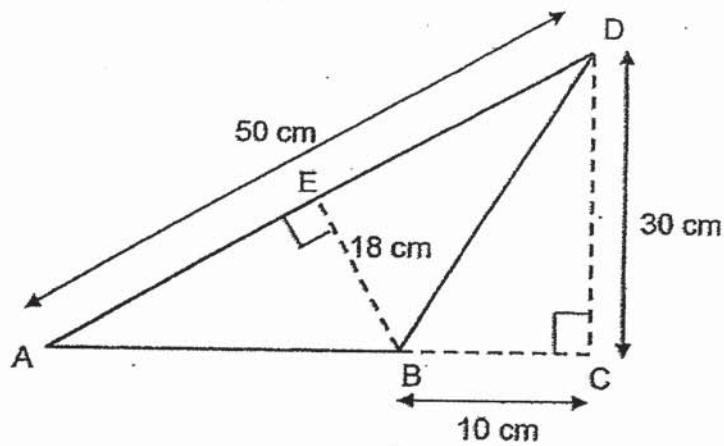
B6

Sub-Total :

27. Keith spent  $\frac{3}{5}$  h watching television programme. He spent  $\frac{1}{3}$  h more to take his lunch than watching television programme. How long did he spend on both, watching the television programme and lunch? Leave your answer as a mixed number.

Ans: \_\_\_\_\_ h

28. Find the area of the triangle ABD.



Ans: \_\_\_\_\_ cm<sup>2</sup>

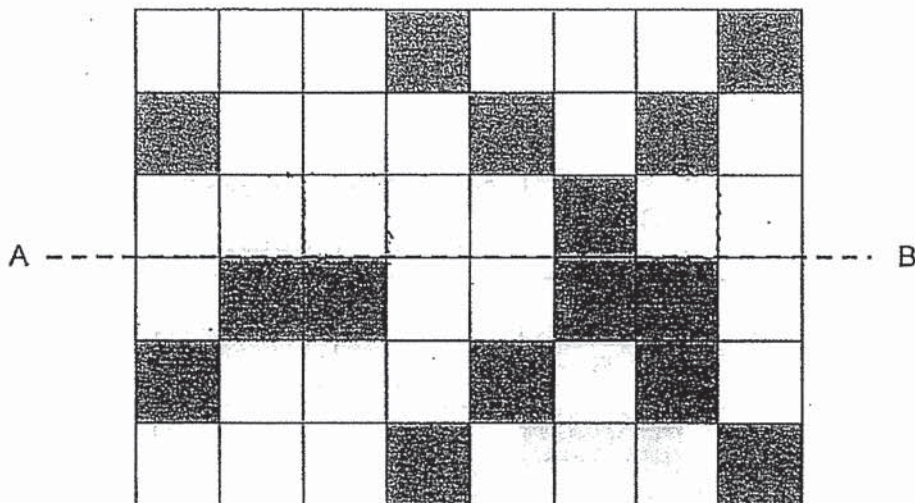
B7

Sub-Total :

29. Mayer bought 2 apples and 2 oranges for \$2.20. The total cost of 4 apples and 3 oranges was \$3.90. How much did 1 orange cost?

Ans: \$ \_\_\_\_\_

30. The diagram below is made up of squares. Shade three more squares to complete the diagram so that the dotted line AB is a line of symmetry.



END OF BOOKLET B

B8

Sub-Total :



# Anglo-Chinese School (Junior)



## SEMESTRAL ASSESSMENT 1 (2019)

### PRIMARY 5 MATHEMATICS PAPER 2

Wednesday

15 May 2019

1 h 30 min

Name: \_\_\_\_\_

Class: 5.( )

Parent's Signature: \_\_\_\_\_

#### INSTRUCTIONS TO PUPILS

- 1 Do not turn over the pages until you are told to do so.
- 2 Follow all instructions carefully.
- 3 Answer ALL questions.
- 4 You can use a calculator for this paper.

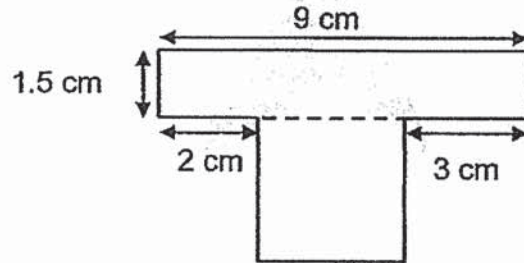
Paper	Booklet	Possible Marks	Marks Obtained
1	A	20	
	B	25	
2		55	
Total		100	

This question paper consists of 13 printed pages (inclusive of cover page).



Questions 1 to 5 carry 2 marks each. Show your working clearly and write your answers in the spaces provided. For questions which require units, give your answers in the units stated. (10 marks)

1. The figure below is made up of a rectangle and a square. Find the area of the figure.



Ans: \_\_\_\_\_ cm<sup>2</sup>

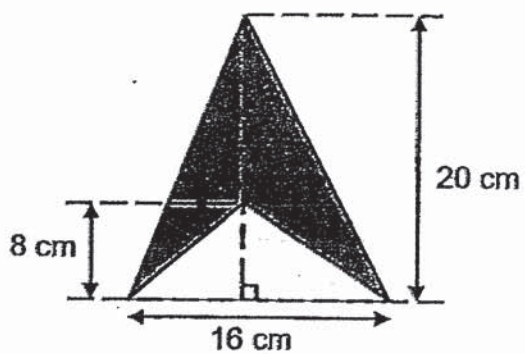
2. James had 4 litres of water. He drank  $\frac{2}{5}$  litres of water in the morning and  $\frac{7}{8}$  litres of water in the afternoon. How much water had he left? Give your answer in litres.

Ans: \_\_\_\_\_ litres

2

Sub-Total :

3. The figure below is made up of two triangles. Find the area of the shaded part.



Ans : \_\_\_\_\_  $\text{cm}^2$

4. Joe, Kenneth and Louis shared a box of cards in the ratio 7 : 9 : 5. Joe and Louis had 384 cards altogether. How many cards did the three boys share altogether?

Ans: \_\_\_\_\_

5. 5 boys shared the cost of a meal equally. When calculating the amount for each share, the boy who did the calculation made a mistake by dividing the cost of the meal by 4 instead of 5. Each boy paid \$3.60 more than his share. What should be the correct amount for each share?

Ans: \$ \_\_\_\_\_

For Questions 6 to 17, show your working clearly and write your answers in the spaces provided. The number of marks available is shown in brackets [ ] at the end of each question or part-question. (45 marks)

---

6. Jovan has twice as many marbles as Sean. Herman has 3 times as many marbles as Jovan. Jovan has 240 fewer marbles than Herman. How many marbles do they have altogether?

Ans : \_\_\_\_\_ [3]

7. 2 groups of students were in the hall. The number of students in Group A was 12 more than the number of students in Group B. 25 students moved from Group A to Group B. In the end, the number of students in Group B was 3 times the number of students in Group A. How many students were there in Group A at first?

Ans : \_\_\_\_\_ [3]

5

Sub-Total :

8.  $\frac{1}{3}$  of the length of Ribbon X is equal to  $\frac{3}{5}$  the length of Ribbon Y. Ribbon X is 240 cm longer than Ribbon Y. Find the total length of Ribbon X and Y.

Ans : \_\_\_\_\_ [3]

9. A group of students participated in a quiz. A student must obtain at least a certain score to pass the quiz. The table shows the number of students who obtained the different groups of scores.

Score	Number of Students
0 to 10	3
11 to 20	6
21 to 30	13
31 or more	8

$\frac{3}{10}$  of the students **did not** pass the quiz. From the table, what was the lowest score of a student who passed the quiz?

Ans : \_\_\_\_\_ [3]

10. The ratio of Melvin's age to his mother's age is 1 : 4 this year. Six years ago, his mother was 58 years old. How old is Melvin this year?

Ans : \_\_\_\_\_ [3]

11. In a library, there were 972 fiction books. The number of fiction books was 3 times the number of non-fiction books. An equal number of fiction books and non-fiction books were given away to charity. In the end, the number of fiction books was 4 times the number of non-fiction books. How many fiction books were given away?

Ans : \_\_\_\_\_ [4]

7

Sub-Total :

12. Betty and Diana have 109 coins altogether. Betty has 25 more coins than Diana.
- a) How many coins does Diana have?
  - b) Diana has only 1-dollar coins or 50-cent coins. The total amount of money she has is \$25.50. How many 50-cent coins does she have?

Ans: (a) \_\_\_\_\_ [2]

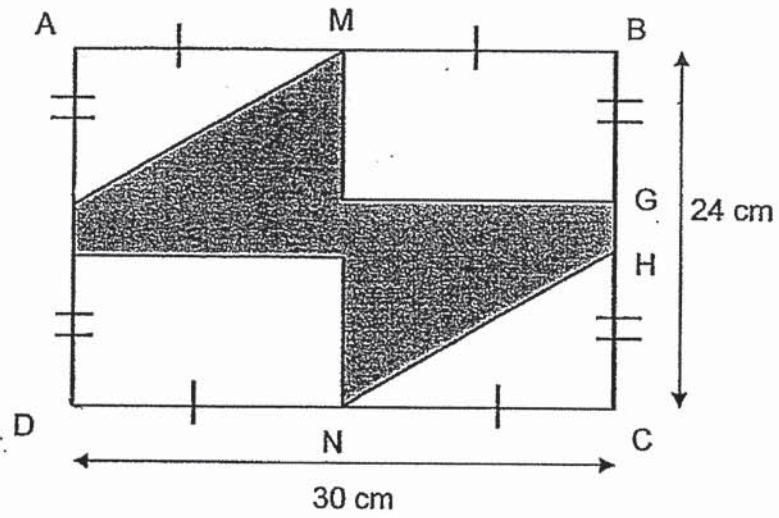
(b) \_\_\_\_\_ [2]



13.  $\frac{3}{11}$  of students in a school like Rugby,  $\frac{1}{4}$  of the remaining students like Soccer and the rest like Tennis. 348 more students like Tennis than Rugby. How many students are there in the school altogether?

Ans: \_\_\_\_\_ [4]

14. In the figure below, ABCD is a rectangle. M is the midpoint of AB and N is the midpoint of DC.  $AE = FD = BG = HC$  and  $EF = GH = 4$  cm. Find the area of the shaded part.



Ans: \_\_\_\_\_ [4]

15. A group of people went to the zoo.  $\frac{1}{5}$  of them were adults,  $\frac{1}{4}$  of them were girls and the rest were boys.

a) What was the ratio of the number of adults to the number of girls to the number of boys?

b) The number of adults was 96 fewer than the total number of girls and boys in the group. Find the total number of people in the group.

Ans: (a) \_\_\_\_\_ [2]

(b) \_\_\_\_\_ [2]

11

Sub-Total :

16. Natasha used 238 beads to make some necklaces and bracelets. She used 16 beads for each necklace and 9 beads for each bracelet. She made twice as many bracelets as necklaces. After making the necklaces and bracelets, she sold each necklace for \$25 and each bracelet for \$15.
- (a) How many bracelets did Natasha make?
- (b) Natasha sold all the necklaces and bracelets. How much did she collect from the sale of all the necklaces and bracelets?

Ans : (a) \_\_\_\_\_ [3]

(b) \_\_\_\_\_ [2]

17. The chairs in a school hall were arranged in rows such that there were exactly 12 chairs in each row. For a musical, Mr Tan brought in 3 more chairs into the hall and rearranged all the chairs. There are now exactly 9 chairs in each row and 11 more rows than before. How many chairs were there in the concert hall for the musical?

Ans : \_\_\_\_\_ [5]

**END OF PAPER 2**

13

Sub-Total :

**YEAR** : 2019  
**LEVEL** : PRIMARY 5  
**SCHOOL** : ANGLO CHINESE SCHOOL (JUNIOR)  
**SUBJECT** : MATHEMATICS  
**TERM** : SEMESTRAL ASSESSMENT 1

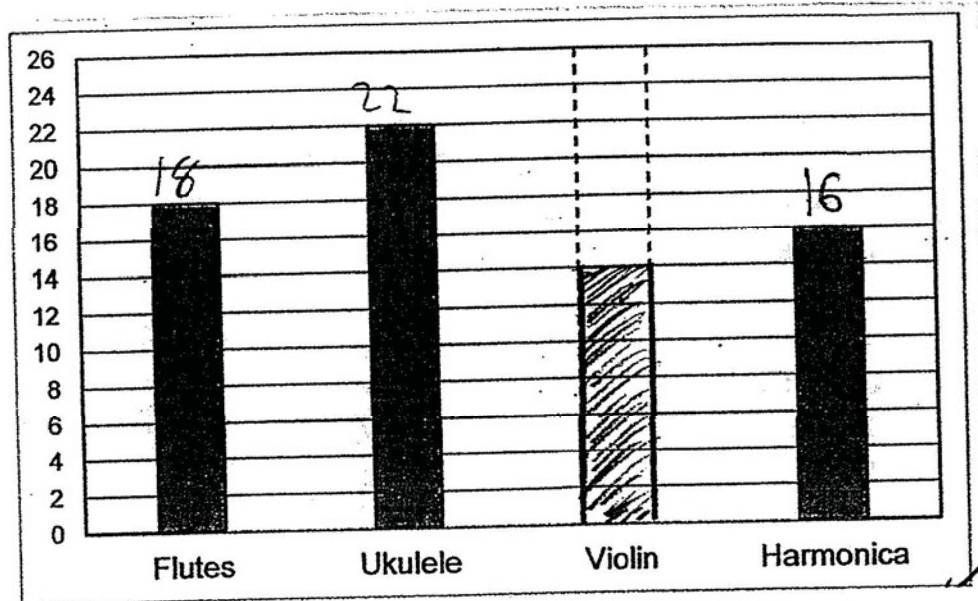
**PAPER 1**  
**BOOKLET A**

Q1	Q2	Q3	Q4	Q5	Q6	Q7	Q8	Q9	Q10
3	3	4	4	2	2	1	4	1	3
Q11	Q12	Q13	Q14	Q15					
3	4	3	2	2					

**BOOKLET B**

- Q16. 49
- Q17.  $11\frac{1}{4}$
- Q18.  $81m^2$
- Q19. AM
- Q20. 216 sweets
- Q21. 28 boxes
- Q22. \$240
- Q23.

Number of students

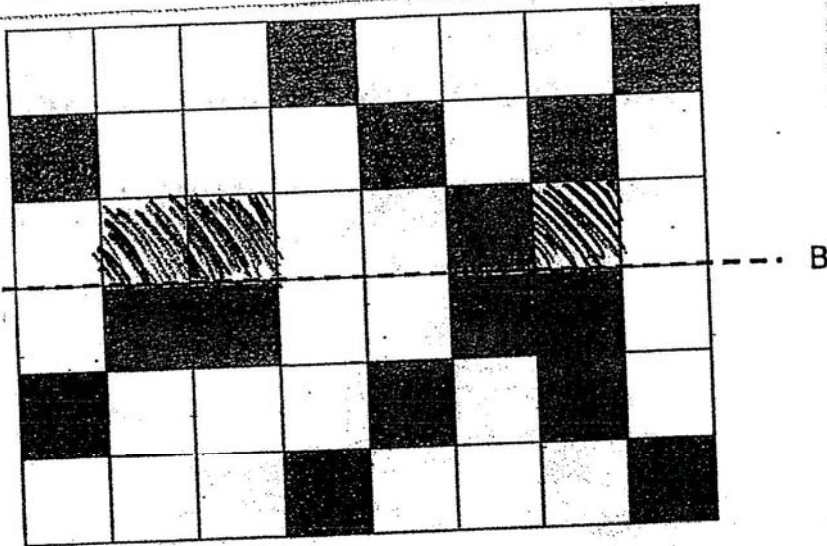


- Q24.  $62^\circ$
- Q25. \$496
- Q26. Smallest difference: 11  
Numbers: 319,320
- Q27.  $1\frac{8}{15}$
- Q28.  $450cm^2$



Q29. \$0.50

Q30.



**PAPER 2**

Q1.  $9 \times 1.5 = 13.5$

$$4 \times 4 = 16$$

$$16 + 13.5 = 29.5$$

**Ans: 29.5cm<sup>2</sup>**

Q2.  $4 - \frac{2}{5} - \frac{7}{8} = 2.725$

**Ans: 2.725 l**

Q3.  $\frac{1}{2} \times 16 \times 8 = 64$

$$\frac{1}{2} \times 20 \times 16 = 160$$

$$160 - 64 = 96$$

**Ans: 96cm<sup>2</sup>**

Q4. **J : K : L**

$$7 :$$

$$12u \quad \dagger$$

$$1u = 32$$

$$21u = 672$$

**Ans: 672 cards**

Q5.  $3.60 \times 5 = 18$

$$18 \div 4 = 4.50$$

$$4.50 \times 5 = 22.50$$

**Ans: \$22.50**



Q6.  $4U = 240$   
 $1u = 60$   
 $9u = 540$

Ans: \$540

Q7.  $25 - 12 = 13$   
 $13 + 13 + 12 = 38$   
 $2U = 36$   
 $1U = 19$   
 $19 + 25 = 44$

Ans: 44 students

Q8. 

<b>X</b>	<b>Y</b>	
$\frac{1}{3}$	$\frac{3}{5}$	$4U = 240$
$\frac{3}{9}$	$\frac{3}{5}$	$1U = 60$
		$14U = 840$

Ans: 840cm

Q9.  $3 + 6 + 13 + 8 = 30$  students  
 $30 \div 10 = 3$   
 $3 \times 3 = 9$

Ans: 21

Q10.  $58 + 6 = 64$   
 $4U = 64$   
 $1U = 16$

Ans: 16 years old

Q11. 

<b>F</b>	<b>:</b>	<b>NF</b>	
$3 (x 3)$	<b>:</b>	$1 (x 3)$	$9U = 972$
$9$	<b>:</b>	$3$	$1U = 972 \div 9 = 108$
$(-1)$		$(-1)$	
$8$	<b>:</b>	$2$	
$4$	<b>:</b>	$1$	

Ans: 108 books

Q12. a)  $109 - 25 = 84$   
 $2U = 84$   
 $1U = 42$

b)  $42 \times \$0.50 = 21$   
 $25.50 - 21 = 4.5$   
 $4.5 \div 0.5 = 9$   
 $42 - 9 = 33$

Ans: a) 42 coins  
b) 33 coins

Q13.  $\frac{8}{11} \times \frac{3}{4} = \frac{6}{11}$   
 $\frac{3}{11} \rightarrow 348$   
 $\frac{1}{11} \rightarrow 116$   
 $\frac{11}{11} \rightarrow 1276$

Ans: 1276 students

Q14.  $30 \times 24 = 720$   
 $\frac{1}{2} \times 15 \times 10 = 75$   
 $75 \times 2 = 150$   
 $15 \times 10 = 150$   
 $150 \times 2 = 300$   
 $300 + 150 = 450$   
 $720 - 450 = 270$

Ans:  $270 \text{ cm}^2$

Q15. a)  $1 - \frac{1}{5} - \frac{1}{4} = \frac{11}{20}$   
 $4 : 5 : 11$

b)  $11 - 4 = 12$   
 $12U = 96$   
 $1U = 8$   
 $20U = 160$

Ans: a) 4 : 5 : 11  
b) 160 people

Q15. a)  $1 - \frac{1}{5} - \frac{1}{4} = \frac{11}{20}$   
**4 : 5 : 11**

b)  $5 + 11 - 4 = 12$   
 $12U = 96$   
 $1U = 8$   
 $20U = 160$

Ans: a) 4 : 5 : 11  
b) 160 people

Q16. a) 1 group = 1 necklace  
2 bracelets  
 $16 + 9 \times 2 = 34$   
 $238 \div 34 = 7$   
 $7 \times 2 = 14$

b)  $7 \times 25 + 14 \times 15 = 175 + 210 = 385$   
Ans: a) 14 bracelets  
b) \$385

Q17.  $11 \times 9 = 99$   
 $99 - 3 = 96$   
 $96 \div 3 = 32$   
 $32 + 11 = 43$   
 $43 \times 9 = 387$

Ans: 387 chairs.