

Anglo-Chinese School (Junior)



CONTINUAL ASSESSMENT 2 (2017) PRIMARY 5 MATHEMATICS

Wednesday

23 August 2017

1 h 30 min

Name: _____ () Class: 5.() Parent's Signature: _____

INSTRUCTIONS TO PUPILS

- 1 Do not turn over the pages until you are told to do so.
- 2 Follow all instructions carefully.
- 3 Answer ALL questions.
- 4 You are not allowed to use a calculator for this paper.

Section	Possible Marks	Marks Obtained
A	10	
B	15	
C	25	
Total	50	

This question paper consists of 14 printed pages (inclusive of cover page).

Optical Answer Sheet

- 1 1 2 3 4
2 1 2 3 4
3 1 2 3 4
4 1 2 3 4
5 1 2 3 4
6 1 2 3 4
7 1 2 3 4

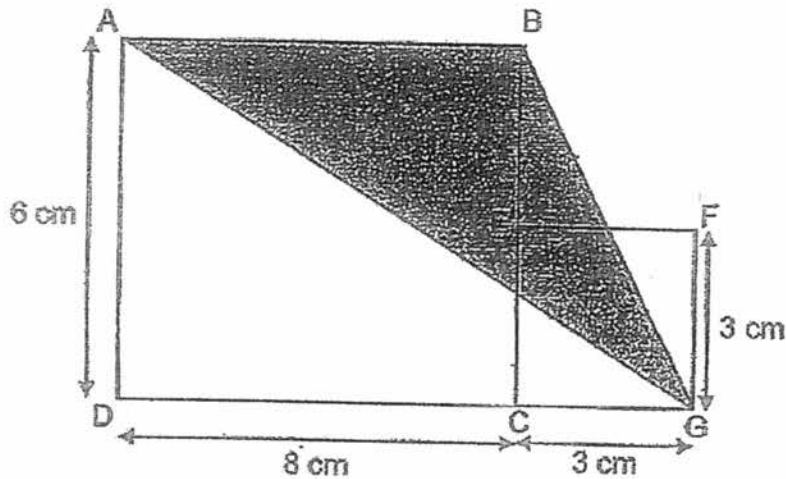
Section A

Questions 1 to 4 carry 1 mark each. Questions 5 to 7 carry 2 marks each.
For each question, four options are given. One of them is the correct answer. Make your choice (1, 2, 3 or 4). Shade the correct oval (1, 2, 3 or 4) on the Optical Answer Sheet (OAS). (10 marks)

1. Express $3\frac{1}{8}$ as a decimal correct to 2 decimal places.
- 1) 3.08
2) 3.12
3) 3.13
4) 3.18
2. Jacob has some red and blue marbles. $\frac{5}{7}$ of the marbles are blue. Given that he has 60 more blue marbles than red marbles, how many marbles does he have altogether?
- 1) 84
2) 140
3) 150
4) 210

3. Mrs. Wong had 2 kg of flour. She used 800 g to make pancakes. What percentage of flour was left?
- 1) 25 %
 - 2) 40 %
 - 3) 60 %
 - 4) 75 %
4. The length of each side of a triangle is in the ratio 3 : 4 : 8. The length of the longest side is 24 cm. Find the perimeter of the triangle.
- 1) 36 cm
 - 2) 45 cm
 - 3) 90 cm
 - 4) 120 cm
5. Susan scored an average of 70 marks for her three tests. Which of the following were her scores for the three tests?
- 1) 52, 90, 78
 - 2) 55, 85, 60
 - 3) 64, 92, 54
 - 4) 76, 84, 60

6. In the figure below, ABCD is a rectangle and CEFG is a square. Find the area of triangle ABG.



- 1) 9 cm^2
2) 24 cm^2
3) 33 cm^2
4) 48 cm^2
7. Mr. Sim bought the same number of pens and pencils. Each pencil cost \$2. Each pen cost 3 times as much as a pencil. He spent \$144 on the pens and pencils. How many pens and pencils did he buy altogether?

- 1) 18
2) 24
3) 36
4) 48

Section B

Questions 8 to 12 carry 1 mark each. Questions 13 to 17 carry 2 marks each. Show your working clearly and write your answers in the spaces provided. For questions which require units, give your answers in the units stated. (15 marks)

8. Express 17 kg 55 g as a decimal in kilograms.

Ans : _____ kg

9. There were 145 455 visitors to a tourist attraction last year. Express this number to the nearest ten thousand.

Ans : _____

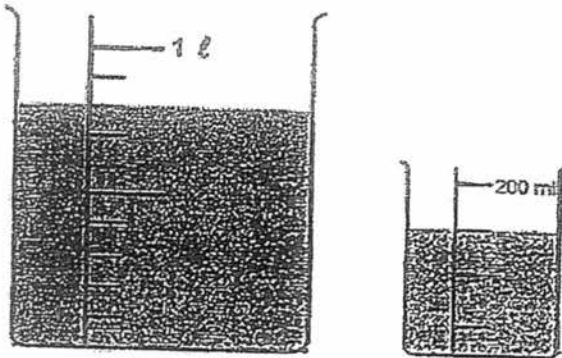
10. A machine can make 500 fishballs in 1 minute. At this rate, how many fishballs can the machine make in 1 hour?

Ans : _____

11. When $\frac{1}{3}$ of a number is decreased by 25, the result is 15. What is the number?

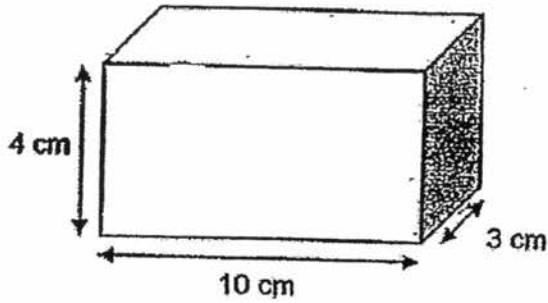
Ans : _____

12. What is the total volume of water in the two containers?
Give your answer in litres.



Ans : _____ ℓ

13. There are fifty-five 1-cm cubes inside the box below. How many more 1-cm cubes can be put into the box to fill up the whole box completely?



Ans : _____

14. The average amount of money James and Lucy have is \$60. James has 4 times as much money as Lucy. How much more money does James have than Lucy?

Ans : \$ _____

15. Mariam had \$180. She spent 25% of her money on a hat and 15% of her money on a pair of slippers. How much did Mariam spend on the two items?

Ans : \$ _____

16. For every 2 rounds that Seng Kai ran round the track, Nazrin ran 3 rounds. Both boys ran a total of 40 rounds of the track. How many rounds of the track did Seng Kai run?

Ans : _____

17. The mass of a box and object A is 13 kg. The same box and object B weigh 25 kg. Object B weighs 3 times as heavy as object A. What is the mass of the box when empty?

Ans : _____ kg

Section C

For questions 18 to 24, show your working clearly question and write your answers in the spaces provided. The number of marks available is shown in brackets [] at the end of each question or part-question. (25 marks)

18. Suresh rented a car for 5 days. He was charged \$70.50 per day and \$2. for every kilometre that he drove. He paid the car rental company \$998.50 at the end of the 5 days. What was the distance he had travelled?

Ans : _____ [3]

19. The ratio of Henry's age to his mother's age is 1 : 3 this year. Six years ago, his mother was 36 years old. Find Henry's age this year.

Ans : _____ [3]

20. Figure 1 is a right-angled triangle with one of the side 4 cm. Figure 2 is made up of 4 such right-angled triangles and a square. Find the area of Figure 2.

Figure 1

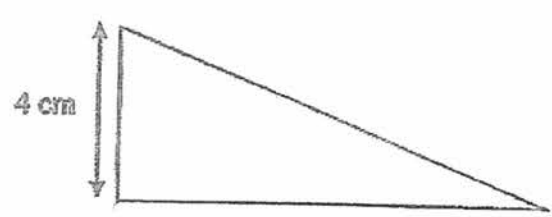
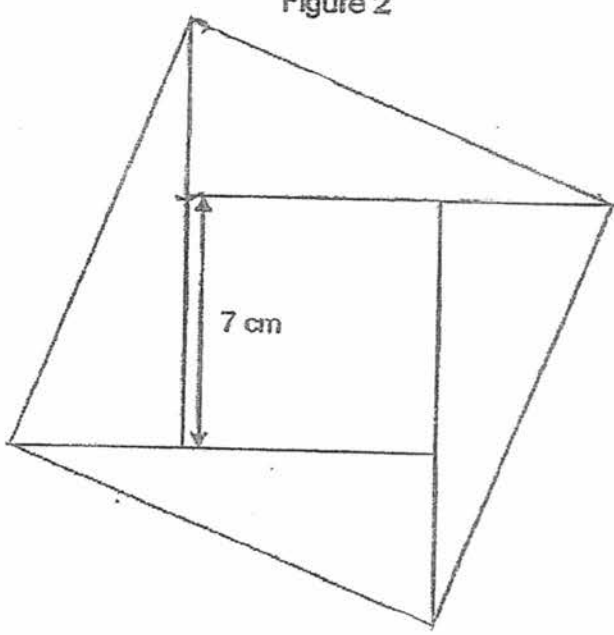


Figure 2



Ans : _____ [3]

Sub-Total :

21. A piece of rubber sheet is 6 cm thick. The piece of rubber sheet is folded so that the folded rubber sheet is twice as thick after each fold.

(a) Complete the table below.

Number of folds	Thickness of rubber sheet (in cm)
1	12
2	24
3	
4	

[2]

- (b) What is the least number of folds before the folded rubber sheet is thicker than 1.9 m?

Ans :b) _____ [2]

22. Elliot had some money. He used $\frac{2}{5}$ of his money to buy a bag. He used $\frac{1}{6}$ of his remaining money to buy a wallet.

- (a) What fraction of Elliot's money was used to buy the wallet?
- (b) After that, his mother gave him \$100. He then had \$40 more than what he had at first. How much money did Elliot have at first?

Ans : a) _____ [1]

b) _____ [3]

23. Christine and Diane each had the same mass of flour for making cupcakes. The same mass of flour was used for each cupcake. Christine made 30 cupcakes and had 350 g of flour left. Diane made 10 cupcakes and had 1.15 kg of flour left.

(a) What was the mass of flour needed for each cupcake? Give your answer in grams.

(b) What was the total mass of flour Christine and Diane had at first?

Ans : a) _____ [2]

b) _____ [2]

24. Henry sold only beef pies and chicken pies at his shop. He sold 80 pies in the morning. 65% of them were chicken pies and the rest were beef pies.

(a) How many beef pies did he sell in the morning?

(b) Henry sold some more chicken pies in the afternoon. $\frac{4}{5}$ of all the pies sold in the morning and afternoon were chicken pies. How many chicken pies did Henry sell in the afternoon?

Ans : a) _____ [1]

b) _____ [3]

End of Paper

EXAM PAPER 2017 (P5)

SCHOOL : ACS

SUBJECT : MATHEMATICS

TERM : CA2

Q1	Q2	Q3	Q4	Q5	Q6	Q7			
3	2	3	2	3	2	3			

8)17.055 kg 9)150000 10)30000 11)120 12)0.95L

13)65 14)\$72 15)\$72 16)16 17)7kg

18) $70.50 \times 5 = 352.50$

$$998.50 - 352.50 = 646$$

$$646 \div 2 = 323 \text{ km}$$

19) $36 + 6 = 42$

$$42 \div 3 = 14 \text{ years old}$$

20) $7 \times 7 = 49$

$$\frac{1}{2} \times 11 \times 4 = 22$$

$$22 \times 4 = 88$$

$$88 + 48 = 137 \text{ cm}^2$$

21)a)48 , 96

b)5 folds

22)a)1/10

b)5u = 60

1u = 12

10u = 120

23)a)1150 – 350 = 800

20u = 800

1u = $800 \div 20 = 40$ g

b)30 + 10 = 40

40 x 40 = 1600

1600 + 1150 = 2750

2750 + 350 = 3100g

24)a)100 – 65 = 35

$80/1 \times 35/100 = 280/10$

= 28/1

b)1/5 → 28

$4/5 \rightarrow 28 \times 4 = 112$

112 – 52 = 60

RIVER VALLEY PRIMARY SCHOOL
CONTINUAL ASSESSMENT 2
2017
MATHEMATICS
PRIMARY FIVE

Name : _____ ()

Class : Primary 5 (_____)

Date : 14 August 2017

Duration : 50 min (Total time for Booklets A and B)

PAPER 1

(BOOKLET A)

INSTRUCTIONSTO CANDIDATES

1. Write your Name, Register No. and Class in the space above.
2. Do not turn over this page until you are told to do so.
3. Follow all instructions carefully.
4. Answer all questions.
5. Shade your answers in the Optical Answer Sheet (OAS) provided.
6. You are not allowed to use a calculator.

Questions 1 to 10 carry 1 mark each. Questions 11 to 15 carry 2 mark each. For each question, four options are given. One of them is the correct answer. Make your choice (1, 2, 3 or 4) and shade the correct oval on the Optical Answer Sheet. (20 marks)

1. Which digit in 586.79 is in the hundredths place?

- (1) 5
- (2) 6
- (3) 7
- (4) 9

2. In the number pattern below, the missing number in the box is _____.

8001, 8151, 8301, 8451, _____.

- (1) 8501
- (2) 8601
- (3) 8701
- (4) 8801

3. How many quarters are there in $3\frac{1}{2}$?

- (1) 14
- (2) 12
- (3) 7
- (4) 6

4. A piece of ribbon $\frac{8}{9}$ m long is cut into 4 equal pieces. What is the length of each piece of ribbon?

(1) $\frac{2}{9}$ m

(2) $\frac{9}{2}$ m

(3) $\frac{9}{32}$ m

(4) $\frac{32}{9}$ m

5. In a bag of 100 fruits, 30 are apples, 20 are oranges and the rest are pears. What is the ratio of the number of pears to the number of apples to the number of oranges?

(1) 3 : 2 : 5

(2) 5 : 3 : 2

(3) 3 : 2 : 10

(4) 10 : 3 : 2

6. $3 : 9 = 4 : \underline{\hspace{2cm}}$. What is the missing number?

(1) 1

(2) 12

(3) 3

(4) 36

7. Express 2 kg 5 g in grams.

(1) 250

(2) 2005

(3) 2050

(4) 2500

8. Express $\frac{3}{5}$ as a percentage.

(1) 0.6%

(2) 3.5%

(3) 35%

(4) 60%

9. Mdm Lim had 160 eggs. She used 30% of them to bake some cakes.
How many eggs had she left?

(1) 48

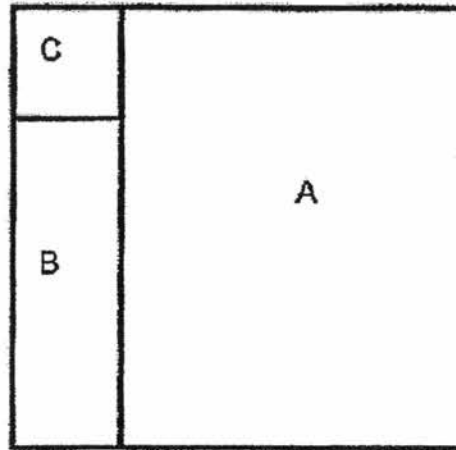
(2) 70

(3) 112

(4) 130

10. Tom has some blue and red buttons. 60% of the buttons are blue and the rest are red. He has 40 more blue buttons than red buttons. How many red buttons does he have?
- (1) 16
 - (2) 80
 - (3) 120
 - (4) 200
11. John is 25 years old now. He is 5 years older than Peter. What is the ratio of Peter's age to John's age in 10 years' time?
- (1) 6 : 7
 - (2) 7 : 6
 - (3) 4 : 5
 - (4) 5 : 4
12. Mdm Sallim used 2 l lemon juice to mix with 8 l of water to make lemonade. What percentage of the lemonade is water?
- (1) 2.5%
 - (2) 20%
 - (3) 25%
 - (4) 80%

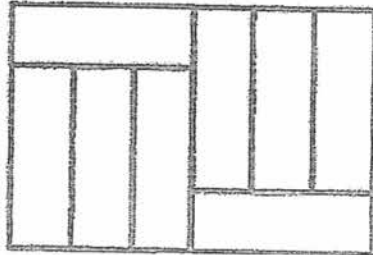
13. In the figure below, B is 3 times the size of C and A is 4 times the size of B. What fraction of the whole figure is B and C?



- (1) $\frac{3}{16}$
- (2) $\frac{1}{5}$
- (3) $\frac{1}{4}$
- (4) $\frac{1}{3}$
14. Leslie has some 50-cent and 20-cent coins in his piggy bank. The ratio of the number of 50-cent coins to the number of 20-cent coins is 7 : 2. If all the 20-cent coins make up \$4, what is the value of all the 50-cent coins ?

- (1) \$7
- (2) \$14
- (3) \$20
- (4) \$35

15. The figure below is made up of 8 similar rectangles. Its perimeter is 600 cm. What is the area of 1 rectangle?



- (1) 90 cm²
(2) 300 cm²
(3) 900 cm²
(4) 2700 cm²

- End of Booklet A -