

2021 PRIMARY 5 WEIGHTED ASSESSMENT 2

Name: _____ () Date: 18 August 2021

Class: Primary 5 () Duration: 1 hour

Parent's Signature: _____ Marks: _____ / **30**

MATHEMATICS

INSTRUCTIONS TO CANDIDATES

1. Write your name, class and register number.
2. Do not turn over this page until you are told to do so.
3. Follow all instructions carefully.
4. Show your working clearly.
5. Answer all questions.
6. You are not allowed to use a calculator.

Section A**Short Answer Questions**

Questions 1 to 10 carry 1 mark each. Write your answers in the spaces provided.

For questions which require units, give your answers in the units stated. [10 marks]

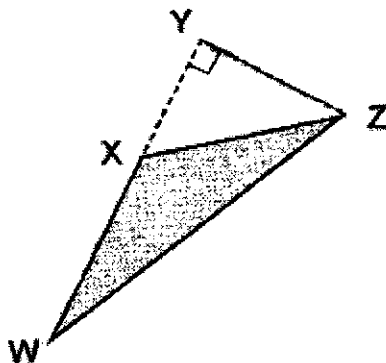
1. Express $\frac{2}{125}$ as a decimal.

Ans: _____

2. Express 72 minutes in hours. Give your answer in the simplest form.

Ans: _____ h

3. Identify the base and height of the shaded triangle.



Ans: Base = _____

Height = _____

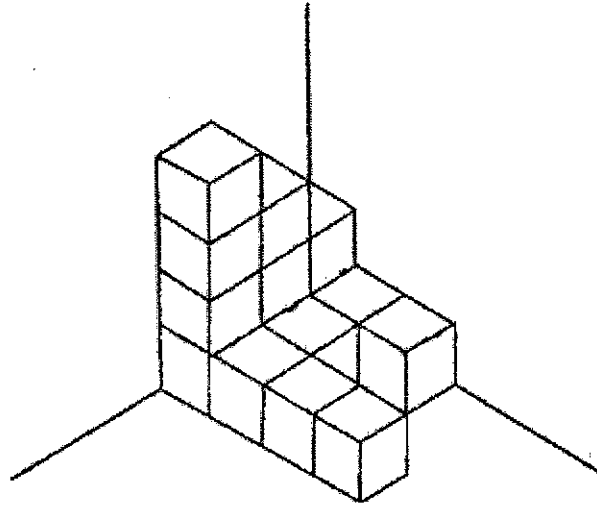
4. May is 48 years old. The ratio of May's age to her grandmother's age is 12 : 25. Find their age difference.

Ans: _____ years

5. At a supermarket, pears were priced at \$1.40 each or in bags of 3 for \$3.60 per bag. What was the least amount of money needed to buy exactly 8 pears?

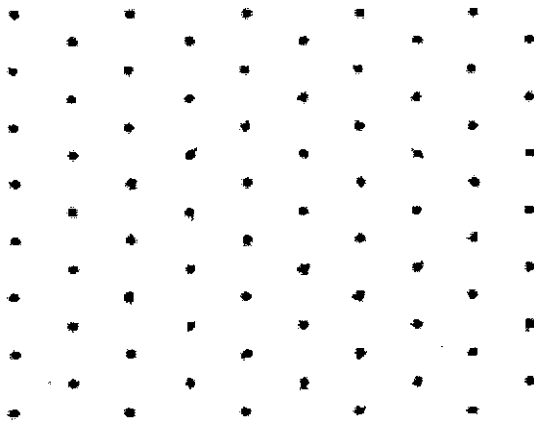
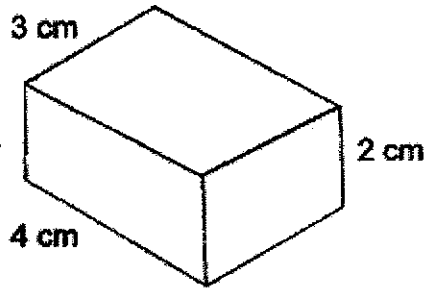
Ans: \$ _____

6. How many unit cubes are used to build this solid?



Ans: _____

7. Draw the cuboid on the isometric grid.

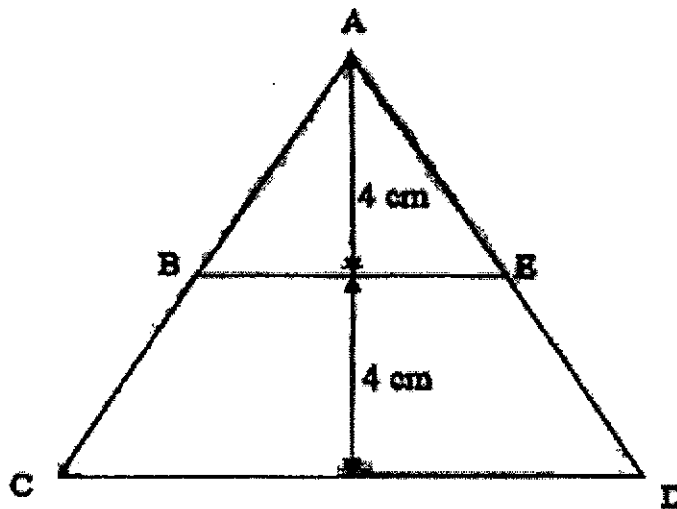


8. $\frac{1}{4}A = \frac{2}{3}B$

What is the ratio of A to B ?

Ans: _____ : _____

9. The area of Triangle ABE is 20 cm^2 . Its base, BE, is $\frac{1}{2}$ of the base of Triangle ACD. Find the area of Triangle ACD.



Ans: _____ cm^2

10. Sophie used $\frac{1}{3}$ of a packet of chocolate chips to make cookies and $\frac{1}{5}$ kg of the packet of chocolate chips to make a cake. She had $\frac{1}{2}$ of the packet of chocolate chips left. Find the mass of the packet of chocolate chips at first.

Ans: _____ kg

Section B

For questions 11 to 15, show your working clearly and write your answers in the spaces provided. The number of marks available is shown in the brackets [] at the end of each question or part-question. [20 marks]

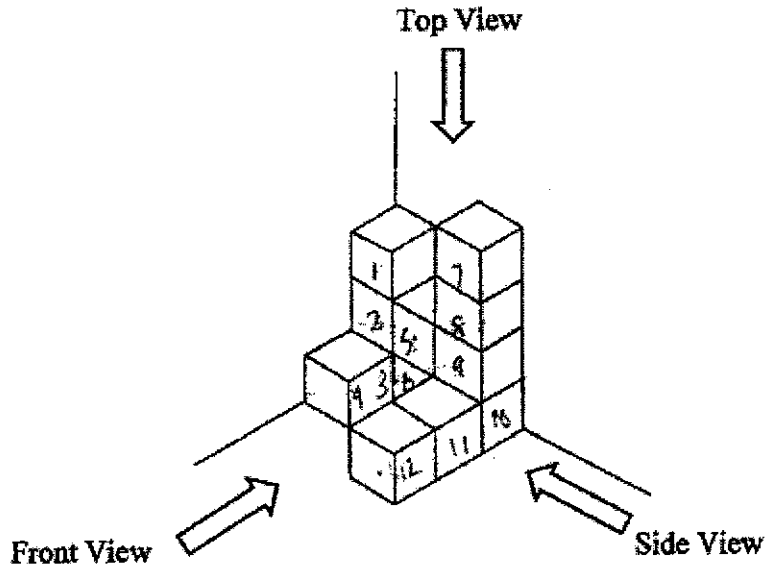
11. Ali and David had an equal number of stickers at first.
After Ali used 16 stickers and David received another 47 stickers,
the ratio of the number of stickers Ali had to the number of stickers David had
became 1 : 4. How many stickers did Ali have at first?

Ans: _____ [3]

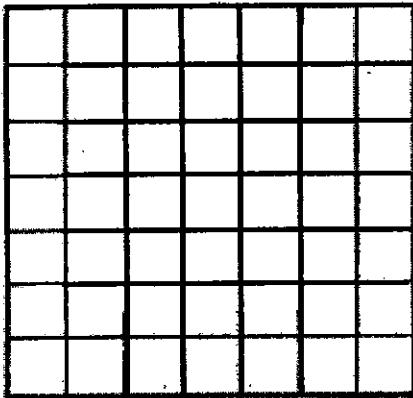
12. Study the diagram below and answer the following questions.

a) Draw the *front view* and the *side view* of the solid on the grids below. [2]

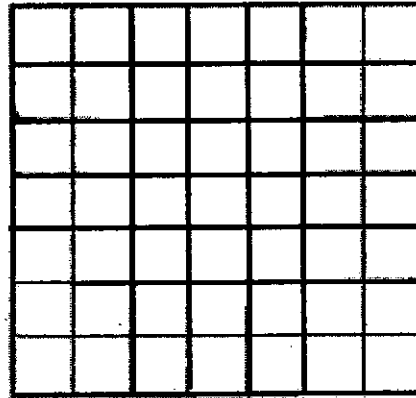
b) To build a big solid cube of 5 unit cubes per side, how many more unit cubes are needed?



Front View

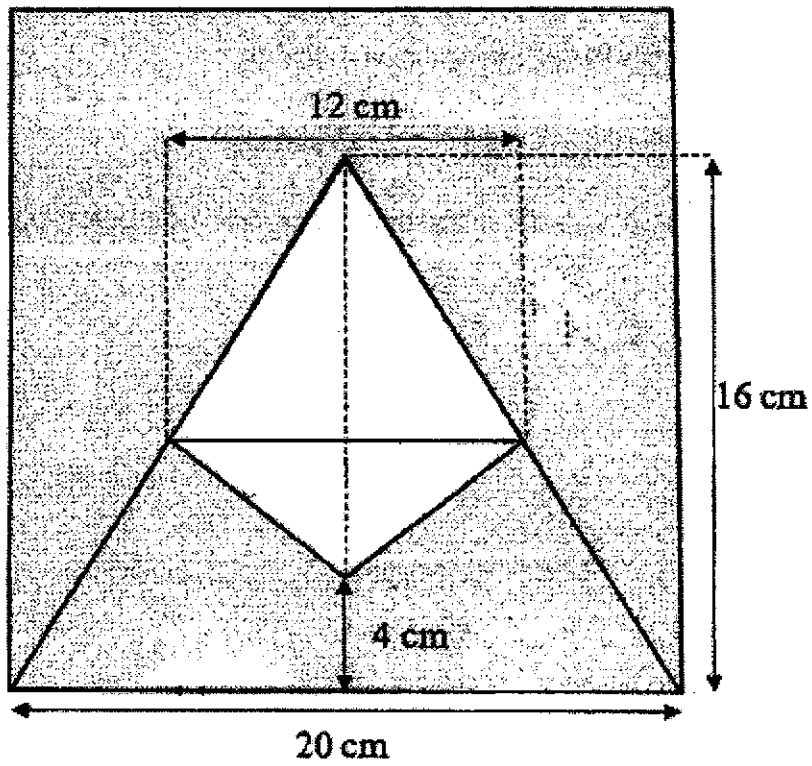


Side View



Ans: (b) _____ [2]

13. The shape below, *not drawn to scale*, is made up of some triangles and a square. Find the ~~shaded~~ area,



Ans: _____ [3]

14. Sheryl collected $\frac{4}{5}$ as many seashells as Anne. After Sheryl gave 40 seashells to Anne, she had half as many seashells as Anne.
- (a) How many seashells did Sheryl have at first ?
- (b) How many seashells did Anne have in the end ?
- (c) What was the total number of seashells collected by the two girls?

Ans: (a) Sheryl: _____ [3]

(b) Anne: _____ [1]

(c) Total: _____ [1]

15. Hansel was supposed to buy 4 fruit tarts and 7 curry puffs which cost \$11.10. Instead, he bought 7 fruit tarts and 4 curry puffs. Hansel paid \$0.90 more. Find the cost of one fruit tart and the cost of one curry puff.

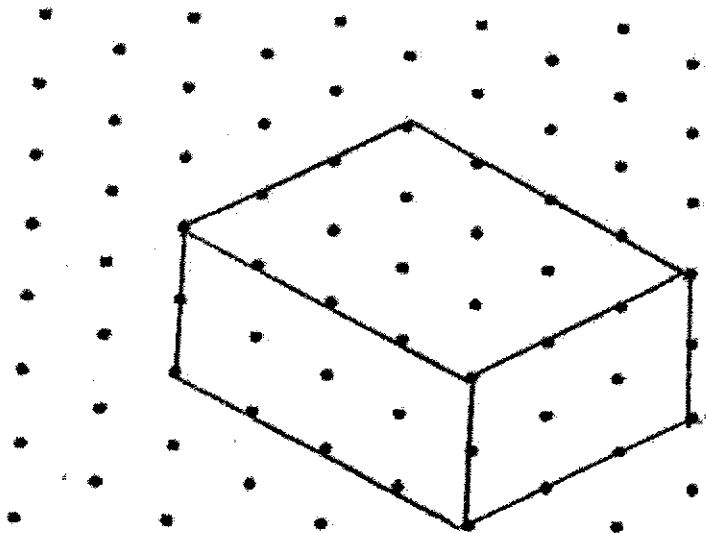
Ans: Fruit Tart : _____

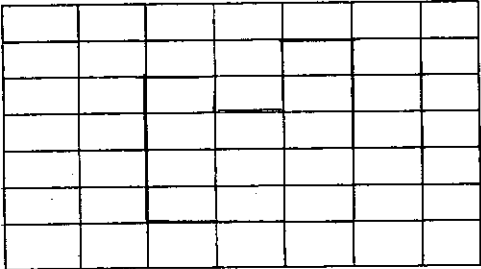
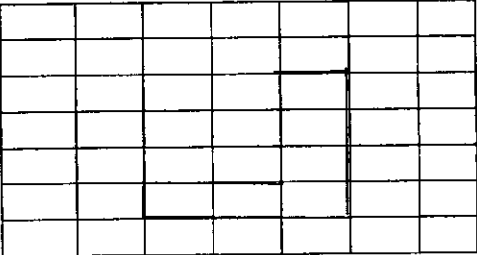
Curry Puff : _____

[5]

End of Paper

SCHOOL : TAO NAN PRIMARY SCHOOL
 LEVEL : PRIMARY 5
 SUBJECT : MATH
 TERM : 2021 WEIGHTED ASSESSMENT 2

Q1)	0.016
Q2)	$1\frac{1}{5}h$
Q3)	Base = XW Height = ZY
Q4)	$25 - 12 = 13$ $48 \div 12 = 4$ $4 \times 13 = 52$ Ans: 52 years
Q5)	1 set = 3 pears No. of sets = $8 \div 3 = 2 \text{ R } 2$ Cost of 2 sets = $\$3.60 \times 2 = \7.20 Cost of 2 pears = $\$1.40 \times 2 = \2.80 Amount of money needed = $\$7.20 + \$2.80 = \$10$ Ans: \$10
Q6)	15 cubes
Q7)	
Q8)	A : B 2 : 3
Q9)	Length of BE: $20 \div 4 \times 2 = 10$ Length of CD: $10 \times 2 = 20$

	<p>Area of ACD: $\frac{1}{2} \times 10 \times 8 = 80$ Ans: 80cm^2</p>						
Q10)	<table border="1" style="width: 100%; border-collapse: collapse; margin-bottom: 10px;"> <tr> <td style="width: 25%;">Cookies</td> <td style="width: 25%;">Cookies</td> <td style="width: 15%; text-align: center;">$\frac{1}{5}\text{kg}$</td> <td style="width: 15%;"></td> <td style="width: 15%;"></td> <td style="width: 15%;"></td> </tr> </table> <p>1 unit = $\frac{1}{5}$ kg 6 units = $\frac{1}{5}$ kg \times 6 = $1\frac{1}{5}$ kg Ans: $1\frac{1}{5}$ kg</p>	Cookies	Cookies	$\frac{1}{5}\text{kg}$			
Cookies	Cookies	$\frac{1}{5}\text{kg}$					
Q11)	<p>$3u = 47 + 16 = 63$ $1u = 63 \div 3 = 21$ No. of stickers Ali had at first = $21 + 16 = 37$ Ans: 37 stickers</p>						
Q12)	<p>a) Front View</p>  <p>Side View</p>  <p>b) $5 \times 5 \times 5 = 125$ $125 - 12 = 113$ Ans: 113 cubes</p>						
Q13)	<p>Area of square: $20 \times 20 = 400$ Area of unshaded part = $2 \times \frac{1}{3} \times 12 \times 6 = 72$ $400 - 72 = 328$ Ans: 328cm^2</p>						
Q14)	<p>Sheryl</p> <table border="1" style="width: 100%; border-collapse: collapse; margin-top: 5px;"> <tr> <td style="width: 25%;"></td> <td style="width: 25%;"></td> <td style="width: 25%;"></td> <td style="width: 25%; background-color: black;"></td> </tr> </table>						

	<p>Anne</p> <table border="1" data-bbox="296 280 940 318"> <tr> <td></td> <td></td> <td></td> <td></td> <td></td> <td>40</td> </tr> </table> <p>a) $4 - 3 = 1$ 1 unit = 40 4 units = $40 \times 4 = 160$ Ans: 160 seashells</p> <p>b) $6 \text{ units} = 40 \times 6 = 240$ Ans: 240 seashells</p> <p>c) $9 \text{ units} = 40 \times 9 = 360$ Ans: 360 seashells</p>						40
					40		
Q15)	<p>$4F + 7C = \\$11.10$ $7F + 4C = \\$0.90 + \\$11.10 = \\$12$ $\\$0.90 \div 3 = \\0.30 $7 \times \\$0.30 = \\2.10 $\\$12 - \\$2.10 = \\$9.90$ $\\$9.90 \div 11 = \\0.90 $\\$0.90 + \\$0.30 = \\$1.20$ Ans: Fruit Tart: \$1.20 Curry Puff: \$0.90</p>						

