



Anglo-Chinese School (Primary)

MID-YEAR EXAMINATION 2011
MATHEMATICS
PAPER 1 (BOOKLET A)
PRIMARY FIVE

Name: _____ ()

Class: Primary 5 _____

Date: 10 May 2011

Duration of Booklet A & B: 50min

INSTRUCTIONS TO CANDIDATES

1. This question paper consists of 7 printed pages.
2. Do not turn this page until you are told to do so.
3. Follow all instructions carefully.
4. Shade your answer on the Optical Answer Sheet (OAS) provided.
5. You are not allowed to use a calculator.

Questions 1 to 10 carry 1 mark each. Question 11 to 15 carry 2 marks each.
Make your choice (1, 2, 3 or 4). Shade the correct oval (1, 2, 3 or 4) on the Optical
Answer Sheet (OAS). (20 marks)

1. Which one of the following is four million, three hundred and one thousand, seven hundred and seven in figures?

- 1) 4 301 707
- 2) 4 301 770
- 3) 4 310 707
- 4) 4 317 007

2. The price of a car is \$92 000 when rounded off to the nearest \$1 000. Which of the following could the original price of the car be?

- 1) 91 400
- 2) 91 499
- 3) 92 499
- 4) 92 505

3. Find the value of $250 + 20 \times 60 \div 30$.

- 1) 254
- 2) 290
- 3) 540
- 4) 650

4. What is 42 tenths less than 6.19?

- 1) 1.99
- 2) 5.77
- 3) 6.61
- 4) 10.39

5. A carton can only contain 15 tins of biscuits. A wholesaler needs to repack 448 tins of biscuits into cartons. How many cartons does he need if he wants to pack all the biscuits?

- 1) 28
- 2) 29
- 3) 30
- 4) 31

6. If $\frac{1}{4}$ of a number is 16, what is $\frac{1}{2}$ of the number?

- 1) 8
- 2) 16
- 3) 32
- 4) 64

7. Desmond spends 4 hours each day on tennis training. What fraction of the day does he spend on tennis training?

1) $\frac{1}{3}$

2) $\frac{1}{4}$

3) $\frac{1}{6}$

4) $\frac{1}{8}$

8. There are 156 students in a group. 90 of them wear spectacles. Find the ratio of the number of students who wear spectacles to the number of the students who do not wear spectacles.

1) 11 : 15

2) 15 : 11

3) 15 : 26

4) 26 : 15

9. Ryan and Leon have some books in the ratio of 4 : 7. Ryan has 18 books fewer than Leon. How many books must Leon give to Ryan so that the two boys will have the same number of books?

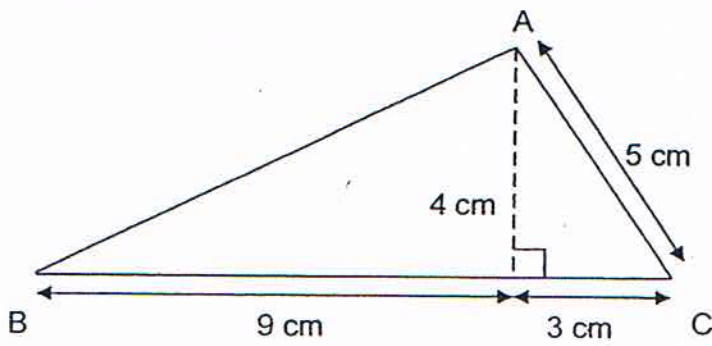
1) 6

2) 9

3) 24

4) 33

10. The figure below is not drawn to scale. Find the area of the triangle ABC.



- 1) 24 cm^2
- 2) 30 cm^2
- 3) 48 cm^2
- 4) 60 cm^2

11. What is the maximum number of 3-cm cubes that can be packed into a box measuring 16 cm by 12 cm by 9 cm?

- 1) 60
- 2) 96
- 3) 192
- 4) 576

12. A toy plane costs \$45. A toy car costs \$8 less than the toy plane. Find the total cost of 2 toy planes and 3 toy cars.

- 1) 114
- 2) 201
- 3) 209
- 4) 249

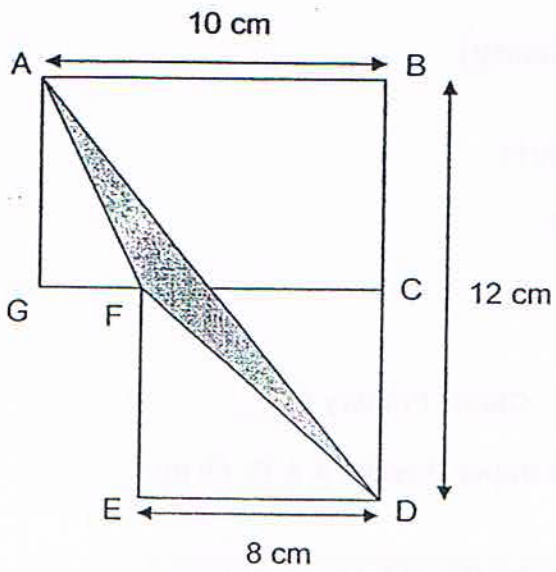
13. How many eighths are there in 8?

- 1) 8
- 2) 16
- 3) 48
- 4) 64

14. If $\frac{2}{12} + \frac{5}{12} + \frac{\square}{12} + 10 = 12$, what is the missing number in the box?

- 1) 5
- 2) 6
- 3) 17
- 4) 18

15. The figure below is not drawn to scale. ADF is a triangle and $BC = CD$. Find the area of triangle ADF.



- 1) 18 cm^2
- 2) 30 cm^2
- 3) 102 cm^2
- 4) 108 cm^2



Anglo-Chinese School (Primary)

MID-YEAR EXAMINATION 2011
MATHEMATICS
PAPER 1 (BOOKLET B)
PRIMARY FIVE

Name: _____ () Class: Primary 5 ____

Date: 10 May 2011

Duration of Paper Booklet A & B: 50 min

Parent's/Guardian's signature

INSTRUCTIONS TO CANDIDATES

1. This question paper consists of 8 printed pages.
2. Do not turn this page until you are told to do so.
3. Follow all instructions carefully.
4. Answer all questions.
5. You are not allowed to use a calculator.

| System | Maximum Marks | Marks Obtained |
|-------------------------------------------------|---------------|----------------|
| Paper 1 Booklet A. Multiple-Choice Questions | 20 | |
| Paper 1 Booklet B. Short Answers: Part 1 | 10 | |
| Paper 1 Booklet B. Short Answers: Part 2 | 10 | |
| Total Marks | 40 | |

Questions 16 to 25 carry 1 mark each. Write your answers in the spaces provided.
Give your answers to the units stated and to its simplest form whenever necessary.
(10 marks)

16. In 7 654 321, what is the value of the digit 5?

Answer: _____

17. Round off 13 249 to the nearest hundred.

Answer: _____

18. Find the value of $45\,000 \div 500$.

Answer: _____

19. Mr Salleh can skew 45 satay sticks in two minutes. How many satay sticks can he skew in an hour?

Answer: _____

20. When a pail is $\frac{6}{11}$ filled with water, it weighs 3 kg. What is the mass of the pail filled to its brim?

Answer: _____ kg

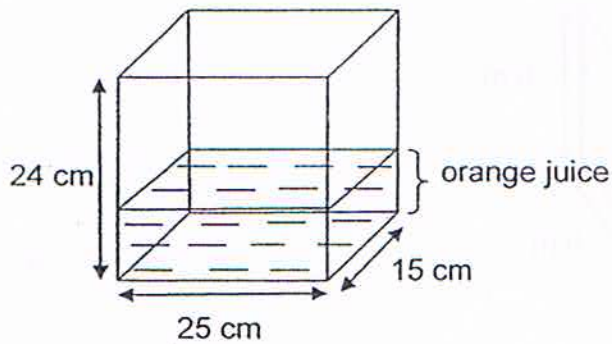
21. Arrange $\frac{8}{7}$, $\frac{6}{7}$, $\frac{3}{2}$, $\frac{7}{8}$ in ascending order.

Answer: _____

22. The ratio of a rectangle's length to its breadth is 7 : 3. If the difference between its length and breadth is 96 cm, find the perimeter of the rectangle.

Answer: _____ cm

23. The figure below is not drawn to scale. A container measuring 25 cm long, 15 cm wide and ~~24~~ cm high was filled orange juice. Given that it is one-third filled, how much more orange juice is required to fill up the tank completely?

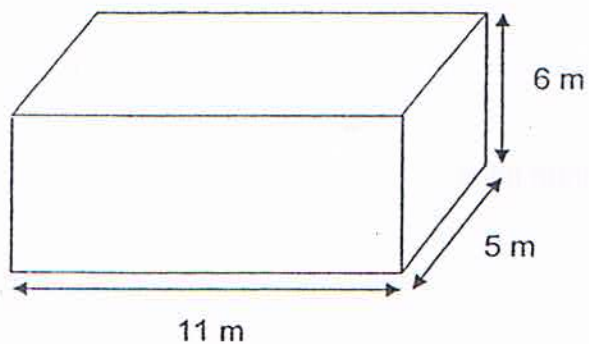


Answer: _____ cm³

24. $\frac{3}{8} + \frac{7}{8} = \square \times \frac{1}{2}$. What is the missing number in the box?

Answer: _____

25. The figure is not drawn to scale. Find the volume of the cuboid below.



Answer: _____ m³

Questions 26 to 30 carry 2 marks each. Show all mathematical statements clearly in the space below each question and write your answers in the spaces provided. (10 marks)

26. 4 fridges and 3 washing machine cost \$3 997. The fridge costs \$ 126 more than the washing machine. Find the cost of one washing machine.

Answer: \$ _____

27. Mark's current age is $\frac{1}{4}$ of Ronald's. In 24 years' time, Ronald's age will be 14 years less than twice Mark's age. What is Ronald's age now?

Answer: _____

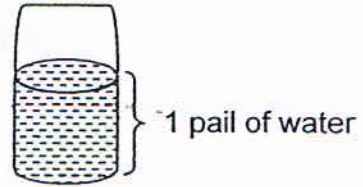
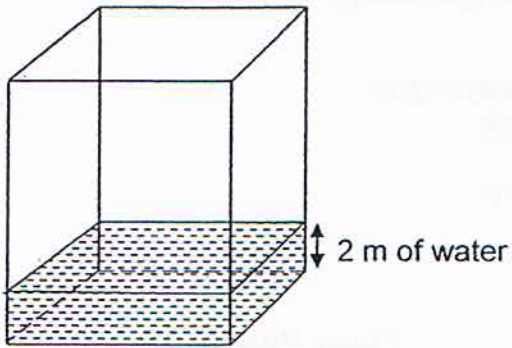
28. Janis bought some ice-cream sticks. When Lilin bought 3 times as many ice-cream sticks as Janis, she had 55 ice-cream sticks more than $\frac{1}{2}$ of what Janis had bought. How many ice-cream sticks did Janis buy?

Answer: _____

29. Hakim and Suresh had some money in the ratio of 13 : 8. When they each received \$133, Hakim will have 4 times as much money as Suresh. How much did Hakim had at first?

Answer: \$ _____

30. The figure below is not drawn to scale. A tank has a square base area of 36 m^2 . It was filled with water to a height of 2 m . Clement added 9 buckets of water and the height of the water level rose to 13 m . Find the volume of each bucket.



Answer: _____ m^3

End-of-Paper



Anglo-Chinese School (Primary)

MID-YEAR EXAMINATION 2011
MATHEMATICS
PAPER 2
PRIMARY FIVE

Name: _____ ()

Class: Primary 5 _____

Date: 10 May 2011

Duration of Paper 2: 1h 40min

Parent's/Guardian's signature

INSTRUCTIONS TO CANDIDATES

1. This question paper consists of 16 printed pages.
2. Do not turn this page until you are told to do so.
3. Follow all instructions carefully.
4. Answer all questions.
5. You are allowed to use a calculator.

| | MARKS | Marks Obtained |
|---------------------------------------------|-------|----------------|
| Paper 2 Section B. Short Answers: Part 2 | 10 | |
| Paper 2 Section C. Problem Sums | 50 | |
| Total Marks | 60 | |

Questions 1 to 5 carry 2 marks each. Show your mathematical statements clearly in the space provided for each question and write your answers in the spaces provided. Give your answers to the units stated and to its simplest form whenever necessary. (10 marks)

1. Find the sum of even numbers from 1 to 60.

Answer: _____

2. A pancake is cut into 6 pieces. If 4 people share 3 such pieces, what fraction of the pancake does each of them eat?

Answer: _____

3. The table below shows the height of the three girls.

| Name of girl | Height |
|--------------|--------|
| Audrey | 128 cm |
| Charlotte | 96 cm |
| Sally | 80 cm |

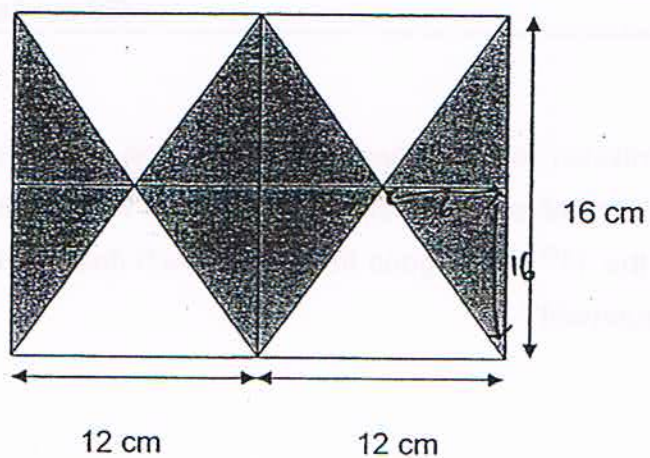
Express the ratio of Audrey's height to the total height of the 3 girls.
Give your answer in its simplest form.

Answer: _____

4. Ben and Carl shared some 20 cents-coins in the ratio of 2 : 3. Carl then ~~saved~~ ^{spent} $\frac{2}{3}$ of his money and was left with \$2. How ~~many~~ ^{many} much money did both of them have at first?

Answer: \$ _____

5. The figure below is not drawn to scale. Find the area of the 8 identical shaded triangles.



Answer: _____ cm^2

For questions 6 to 18, show your steps clearly in the space provided for each question and write your answers in the spaces provided. For questions which require units, give your answers in the units stated. The number of marks available is shown in brackets [] at the end of each question or part-question. (50 marks)

6. The normal 3-day admission fee to Universal Park for one person is \$308. The management gives a concession to a group of 77 tourists. For every 10 tourists, the 11th tourist goes free. How much does each tourist pay in this arrangement?

Answer: _____ [3]

7. Mr Lim bought 4 pears and 5 lemons. Mr Tan bought 5 pears and 4 lemons. Mr Tan paid 20 ¢ more than Mr Lim. If Mr Lim paid \$4.40, how much did 4 pears cost?

Answer: _____ [3]

8. Celine had 135 stamps. $\frac{2}{3}$ of the stamps were from Singapore or Malaysia. $\frac{2}{5}$ of them were from Japan or Singapore. How many stamps does Celine have that are from Singapore?

Answer: _____ [3]

9. Raphael had an equal number of red and blue marbles. After he gave away 280 red marbles and 85 blue marbles, the number of red marbles left was $\frac{1}{4}$ of the number of blue marbles left. How many marbles did Raphael have at first?

Answer: _____ [3]

10. In the year 2011, Dora's uncle's age is 32 years old and Dora is half of his age. What will be the ratio of Dora's age to her uncle in 14 years time? Give your answers in its simplest form.

Answer: _____ [3]

11. The postage for mail sent to Australia is charged as follows:

| Air Rate | Postage |
|------------------------------------|---------|
| 1 st 20 g | \$1.10 |
| Additional 10 g or part thereof | 35¢ |

Mrs Chew wants to mail a 70 g letter to Aunt Sarah and a 102 g letter to cousin Anna. As they live in different parts in Australia, how much does she have to pay for the postage in total?

Answer: _____ [4]

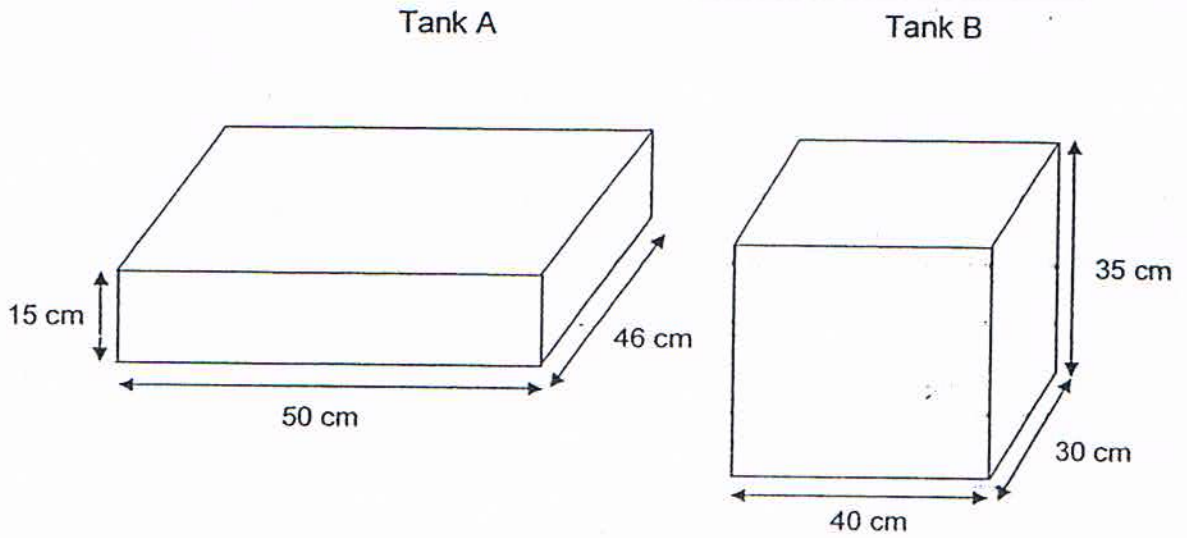
12. Hendrick had some money. He gave \$90 to Terry and $\frac{1}{2}$ of his remaining money to John. He had $\frac{2}{7}$ of his money left. How much money did Hendrick have at first?

Answer: _____ [4]

13. The number of stickers Raymond had to the number of stickers Cadence had was $5 : 3$. After Cadence gave away 39 stickers, the ratio of the number of stickers Raymond had to the number of stickers Cadence had became $6 : 1$. How many stickers did both of them have altogether in the end?

Answer: _____ [4]

14. Tank A measuring 50 cm by 46 cm by 15 cm contained 34 l of water. Tank B measuring 40 cm by 30 cm by 35 cm contained 18 l of water. Andy poured some water from Tank A into Tank B without spilling and the water level of Tank B rose to 28 cm. What was the height of water level left in Tank A? The figures below are not drawn to scale.



Answer: _____ [4]

15. Mr Wang changed a \$1000 note into \$2 and \$10 notes. The total value of the \$10 notes was 9 times the value of the \$2 notes. He decided to give $\frac{2}{5}$ of his \$10 notes and $\frac{2}{5}$ of his ~~\$2~~^{\$5} notes to charity. He then exchanged the remaining of his money for ~~5~~^{\$5} notes. How many notes did he have in the end?

Answer: _____ [4]

16. There are some crystal and glass marbles in a pouch. If 3 crystal marbles are removed from the pouch, the number of crystal marbles left will be $\frac{1}{6}$ of the glass marbles left. If 5 glass marbles are removed from the pouch, the number of crystal marbles left will be $\frac{1}{4}$ of the glass marbles left. How many marbles are there in the pouch at first?

Answer: _____ [5]

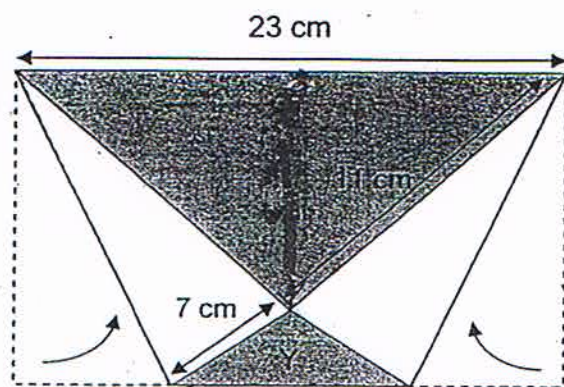
17. Grandma had some yellow and purple sweets in the ratio of 9 : 7. On Monday, she made 54 more yellow sweets. On Tuesday, she gave away 44 purple sweets and sold 129 yellow sweets. The number of yellow sweets to the number of purple sweets became in the ratio of 6 : 5. How many yellow sweets are there in the end?

Answer: _____ [5]

16. In the figure below not drawn to scale, two similar triangles are folded to the centre of a rectangular piece of paper.

(a) Find the total area of triangle X and Y.

(b) If height of triangle Y is 4 cm, find the area of triangle Y.



Answer: (a) _____ [3]

(b) _____ [2]



ANSWER SHEET

EXAM PAPER 2011

SCHOOL : ACS
SUBJECT : PRIMARY 5 MATHEMATICS

TERM : SA1

| Q1 | Q2 | Q3 | Q4 | Q5 | Q6 | Q7 | Q8 | Q9 | Q10 | Q11 | Q12 | Q13 | Q14 | Q15 |
|----|----|----|----|----|----|----|----|----|-----|-----|-----|-----|-----|-----|
| 1 | 3 | 2 | 1 | 3 | 3 | 3 | 2 | 2 | 1 | 1 | 2 | 4 | 3 | 1 |

- 16)50000 17)13200 18)90 19)1350 20)5½kg
 21)6/7, 7/8, 8/7, 3/2 22)480 23)6000cm³ 24)2½
 25)330m³ 26)\$449 27)20 28)22 29)\$273 30)44m³

Paper 2

1)930

2) $1/6 \times 3 = 1/2$
 $1/2 \div 4 = 1/2 \times 1/4 = 1/8$

3) $128 + 96 + 80 = 304$
 $128 : 304 = 8 : 19$

4)\$10.00

5)Total piece→16
 Shaded parts→8
 $16 \times 24 = 384$
 $8/16 \times 384 = 192\text{cm}^2$

6) $308 \times 10 = 3080$
 $77 \div 11 = 7$
 $3080 \times 7 = 21560$
 $21560 \div 77 = \$280$

7) $440 - (20 \times 4) = 360$
 $360 \div 9 = 40$
 $40 + 20 = 60$
 $60 \times 4 = 240$
 Ans: \$240 or 240c

8) $1 - 2/3 = 1/3$
 $1 - 2/5 = 3/5$
 $1 - 3/5 - 1/3 = 15/15 - 9/15 - 5/15 = 1/15$
 $135 \times 1/15 = 9$

9) $280 - 85 = 195$
 $195 \div 3 = 65$
 $280 - 65 = 345$
 $345 \times 2 = 690$

10) $32 \div 2 = 16$
 $32 + 14 = 46$ (uncle)
 $16 + 14 = 30$ (Dora)
 D : U
 30 : 46
 15 : 23

11) $0.35 \times 5 = 1.75$
 $1.75 = 1.10 = 2.85$ (Aunt Sarah)
 $0.35 \times 9 = 3.15$
 $3.15 + 1.10 = 4.25$ (cousin Anna)
 $4.25 + 2.85 = \$7.10$

$$12) 2/7 \times 2 = 4/7$$

Remainder $\rightarrow 4/7$

$$1 - 4/7 = 3/7$$

$$3/7 \rightarrow \$90$$

$$1/7 \rightarrow \$90 \div 3 = \$30$$

$$7/7 \rightarrow \$30 \times 7 = \$210$$

$$13) R : C$$

$$5 : 3$$

$$-39$$

$$6 : 1$$

$$5 \text{ and } 6 \angle \text{cm} \rightarrow 30$$

$$R : C$$

$$30 : 18$$

$$-39$$

$$30 : 5$$

$$18u - 5u = 13u$$

$$13u \rightarrow 39$$

$$1u \rightarrow 39 \div 13 = 3$$

$$30u + 5u = 35u$$

$$35u \times 3 = 105$$

$$14) \text{Tank A height} \rightarrow 50 \times 46 = 2300$$

$$34L = 34000 \text{cm}^3$$

$$34000 \div 2300 = 14_{18/23}$$

$$\text{Tank B height} \rightarrow 40 \times 30 = 1200$$

$$18000 \div 12000 = 15$$

$$18L = 18000 \text{cm}^3$$

Amount of water Tank A gave Tank B

$$\rightarrow 28 - 15 = 13$$

$$40 \times 30 \times 13 = 15600$$

$$50 \times 46 = 2300$$

$$15600 \div 2300 = 6_{18/23}$$

$$14_{18/23} - 6_{18/23} = 8 \text{cm}$$

$$15) 9 + 1 = 10$$

$$1000 \div 10 = 100$$

$$100 \div 2 = 50$$

$$\$2 \rightarrow 50$$

$$\$10 \rightarrow 90$$

$$100 \times 9 = 900$$

$$900 \div 10 = 90$$

$$2/5 \times 90 = 36$$

$$2/5 \times 50 = 20$$

Gave away $\rightarrow \$2 \rightarrow 2$

$$\$10 \rightarrow 36$$

Remaining $\rightarrow 50 - 20 = 30$ (\$2)

$$90 - 36 = 54$$
 (\$10)

$$30 \times 2 = 60$$

$$54 \times 10 = 540$$

$$540 + 60 = 600$$

$$600 \div 5 = 120$$

$$16) 6u = 4u + (4 \times 3) + 5$$

$$6u = 4u + 12 + 5$$

$$6u - 4u = 12 + 5$$

$$2u = 17$$

$$1u = 8.5$$

$$6u + 3 = 7 \times 8.5 + 3$$

$$= 59.5 + 3$$

$$= 62.5$$

$$17) 45u - 375 = 42u - 264$$

$$375 - 264 = 111$$

$$45u - 42u = 3u$$

$$111 \div 3 = 37$$

$$37 \times 9 = 333$$

$$333 - 75 = 258$$

$$18) a) (11 \times 7/2) \times 4 = 11 \times 7 \times 2 = 154$$

$$23 \times 11 = 253$$

$$253 - 154 = 99 \text{cm}^2$$

$$b) 7 + 7 = 14$$

$$23 - 14 = 9$$

$$9 \times 4/2 = 18 \text{cm}^2$$