

# METHODIST GIRLS' SCHOOL (PRIMARY)

Founded in 1887



## END-OF-YEAR EXAMINATION 2014 PRIMARY 4 MATHEMATICS BOOKLET A

Total Time: 1 h 45 minutes

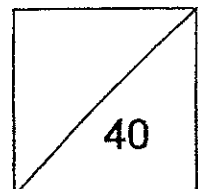
### INSTRUCTIONS TO CANDIDATES

Do not turn over this page until you are told to do so.  
Follow all instructions carefully.  
Answer all questions.

Name: \_\_\_\_\_ ( )

Class: Primary 4. \_\_\_\_\_

Date: 28 OCTOBER 2014



This booklet consists of 8 printed pages including this page.

**Section A**

Questions 1 to 20 carry 2 marks each. For each question, four options are given. One of them is the correct answer. Make your choice (1, 2, 3 or 4). Shade the correct oval (1, 2, 3 or 4) on the Optical Answer Sheet.

(40 marks)

1 43 thousands and 8 tens is the same as \_\_\_\_\_.

- (1) 438
- (2) 4380
- (3) 43 008
- (4) 43 080

2 Which of the following numbers when rounded off to the nearest ten becomes 73 500?

- (1) 73 451
- (2) 73 499
- (3) 73 509
- (4) 73 551

3 In which of the following numbers does the digit 6 stand for 6 tenths?

- (1) 36.27
- (2) 43.62
- (3) 54.26
- (4) 61.32

4 Arrange the following fractions from the greatest to the smallest.

$$\frac{2}{3}, \frac{3}{4}, \frac{7}{12}$$

- |     | (greatest)     |                | (smallest)     |
|-----|----------------|----------------|----------------|
| (1) | $\frac{3}{4}$  | ,              | $\frac{2}{3}$  |
|     | ,              | $\frac{7}{12}$ | ,              |
| (2) | $\frac{7}{12}$ | ,              | $\frac{3}{4}$  |
|     | ,              | $\frac{2}{3}$  | ,              |
| (3) | $\frac{3}{4}$  | ,              | $\frac{7}{12}$ |
|     | ,              | $\frac{2}{3}$  | ,              |
| (4) | $\frac{2}{3}$  | ,              | $\frac{3}{4}$  |
|     | ,              | $\frac{7}{12}$ | ,              |

(Go on to the next page)

5  $5\frac{4}{7} = \frac{\square}{7}$

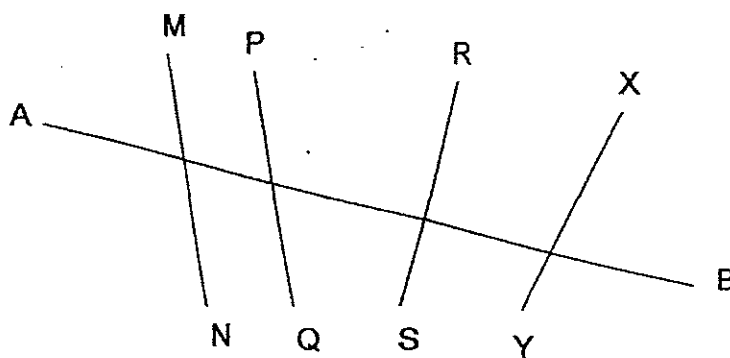
What is the missing number in the box?

- (1) 31
- (2) 33
- (3) 35
- (4) 39

6 Write  $7\frac{7}{20}$  as a decimal.

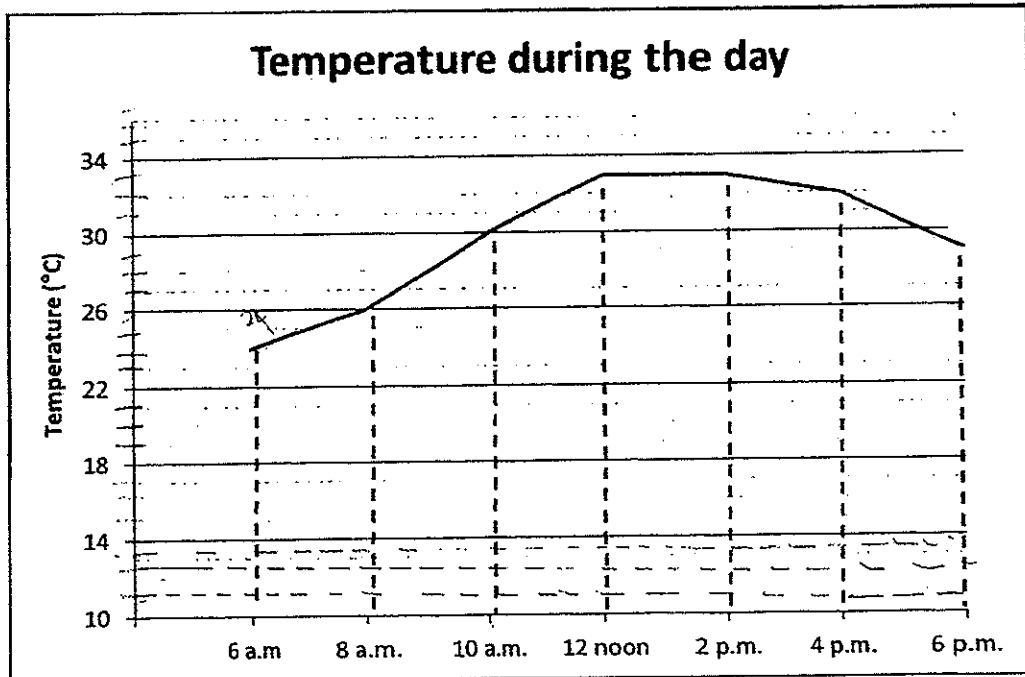
- (1) 7.72
- (2) 7.7
- (3) 7.35
- (4) 7.035

7 Which pair of lines below are perpendicular lines?



- (1) AB and XY
- (2) AB and RS
- (3) RS and XY
- (4) MN and PQ

Use the information below to answer question 8 & 9.  
The graph below shows the temperature at different times of the day.

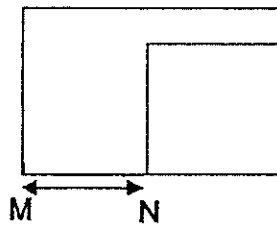


- 8 What was the difference between the temperature at 6 a.m. and 6 p.m.?
- (1) 1° C
  - (2) 2° C
  - (3) 5° C
  - (4) 4° C
- 9 Which two-hour interval had the greatest decrease in temperature?
- (1) Between 8 a.m. and 10 a.m.
  - (2) Between 12 noon and 2 p.m.
  - (3) Between 2 p.m. and 4 p.m.
  - (4) Between 4 p.m. and 6 p.m.

- 10 Mr and Mrs Tan watched a movie at 11 45. The duration of the movie is 1 h 35 min. What time did the movie end?

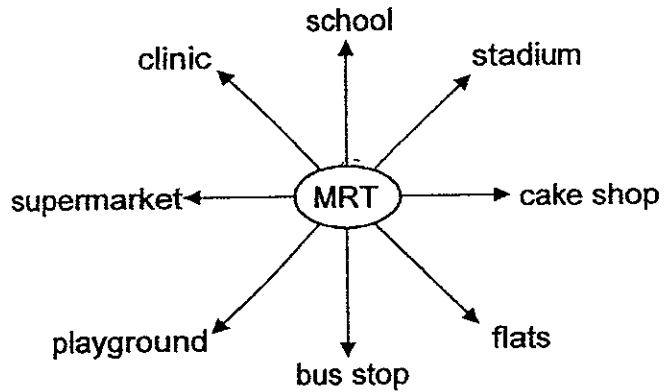
- (1) 01 20
- (2) 10 10
- (3) 13 20
- (4) 22 10

- 11 The figure below is made up of a 10 cm by 7 cm rectangle and a 6 cm square. What is the length of MN ?

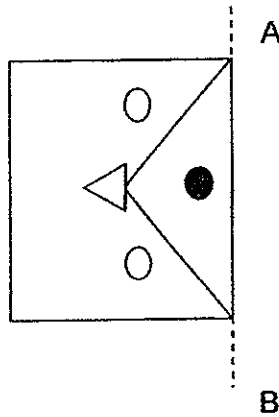


- (1) 1 cm
  - (2) 2 cm
  - (3) 3 cm
  - (4) 4 cm
- 12 What is the number when 275.249 is rounded off to the nearest 2 decimal place?
- (1) 275.00
  - (2) 275.24
  - (3) 275.25
  - (4) 275.30
- 13 A mug cost \$1.85. Maya bought 6 mugs. She gave the cashier \$15. How much change did she receive?
- (1) \$3.90
  - (2) \$4.10
  - (3) \$4.90
  - (4) \$11.10

- 14 Gopal came out of the MRT station and found himself facing the flats. He wanted to go to the supermarket. How should he turn?



- (1) 135° clockwise
  - (2) 135° anti-clockwise
  - (3) 225° clockwise
  - (4) 215° anti-clockwise
- 15 The figure shows one half of a symmetrical design with AB as the line of symmetry.



Which one of the following is the other half of the design?

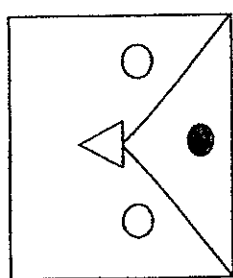


Figure A

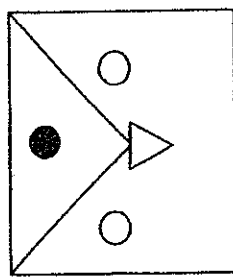


Figure B

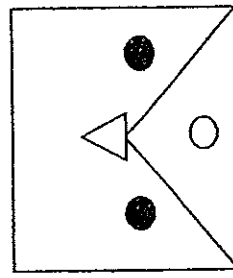


Figure C

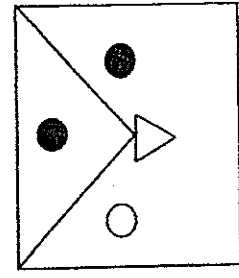
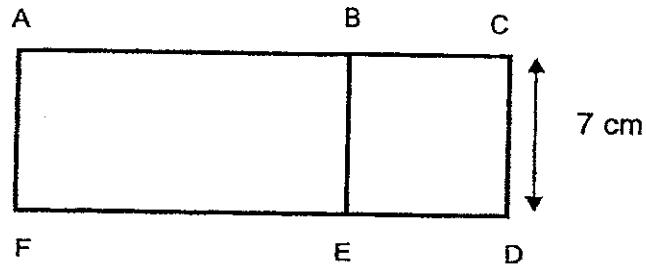


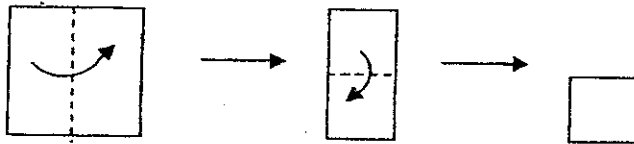
Figure D

- (1) Figure A
- (2) Figure B
- (3) Figure C
- (4) Figure D

- 16 The figure below is made up of a square BCDE and a rectangle ABEF. The area of the square is half the area of the rectangle. If the length of the square is 7 cm, what is the area of the figure ACDF?



- (1) 49 cm<sup>2</sup>  
 (2) 56 cm<sup>2</sup>  
 (3) 98 cm<sup>2</sup>  
 (4) 147 cm<sup>2</sup>
- 17 A square piece of paper is folded twice into the shape of a smaller square as shown below.

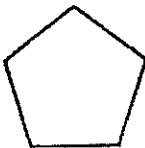


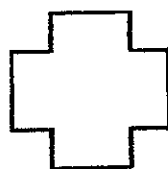


The area of the smaller square is 9 cm<sup>2</sup>. What is the perimeter of the paper when it is unfolded?

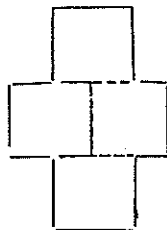
- (1) 18 cm  
 (2) 24 cm  
 (3) 36 cm  
 (4) 48 cm
- 18 Which one of the following numbers is the greatest?

- (1)  $2\frac{2}{5}$   
 (2)  $2\frac{3}{4}$   
 (3) 2.65  
 (4) 2.15

19 Which one of the following unit shapes **cannot** tessellate?

- (1) 
- (2) 
- (3) 
- (4) 

20 The figure below consists of 4 identical squares, The area of the figure is  $196 \text{ cm}^2$ . What is the perimeter of the figure?



- (1) 49 cm  
 (2) 56cm  
 (3) 70 cm  
 (4) 490 cm



# METHODIST GIRLS' SCHOOL (PRIMARY)

Founded in 1887



## END-OF-YEAR EXAMINATION 2014 PRIMARY 4 MATHEMATICS BOOKLET B

Total Time: 1 h 45 minutes

### INSTRUCTIONS TO CANDIDATES

Do not turn over this page until you are told to do so.  
Follow all instructions carefully.  
Answer all questions.

Name: \_\_\_\_\_ ( )

Class: Primary 4, \_\_\_\_\_

Date: 28 OCTOBER 2014

BOOKLET A	40
BOOKLET B	40
BOOKLET C	20
TOTAL	100

This booklet consists of 9 printed pages including this page.

**Section B**

Questions 21 to 40 carry 2 marks each. Write your answers in the space provided.  
For questions which require units, give your answers in the units stated.

(40 marks)

---

21 Write the missing number in the number pattern below.

13 000, 12 250, 11 500, \_\_\_\_\_, 10 000, 9250

Ans: \_\_\_\_\_

22 Some factors of 42 are 1, 2, 3, 7, 21 and 42.  
What are the other two factors of 42?

Ans: \_\_\_\_\_

23  $8\ 096 \div 8 =$  \_\_\_\_\_

Ans: \_\_\_\_\_

24 Find the value of  $\frac{3}{10} + \frac{27}{100}$

Ans: \_\_\_\_\_

(Go on to the next page)

25 Which two of the fractions below are smaller than  $\frac{1}{2}$  ?

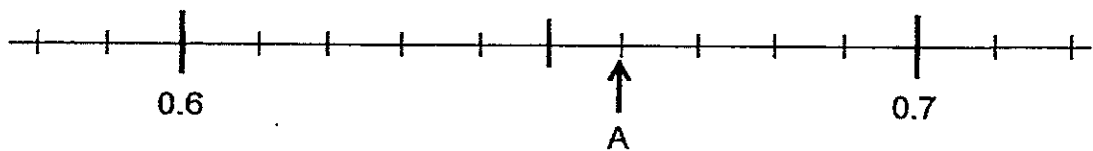
$$\frac{2}{4}, \frac{3}{7}, \frac{4}{9}, \frac{7}{11}$$

Ans: \_\_\_\_\_

26 Round off 18.55 to the nearest whole number.

Ans: \_\_\_\_\_

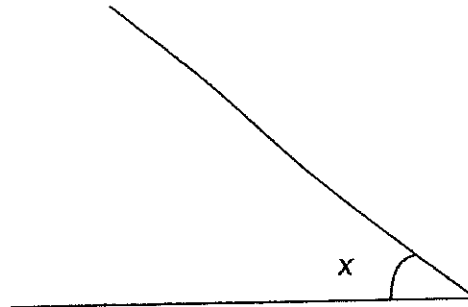
27 Write the decimal represented by A.



Ans: \_\_\_\_\_

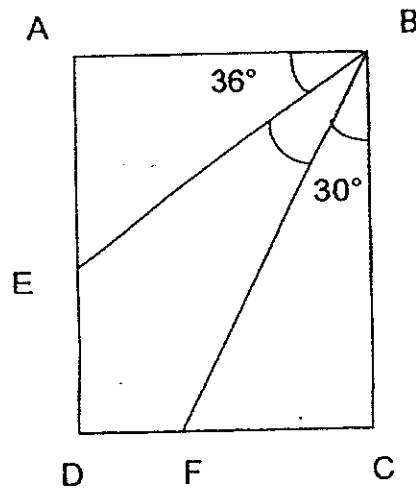
(Go on to the next page)

- 28 Measure and write down the size of  $\angle x$ .



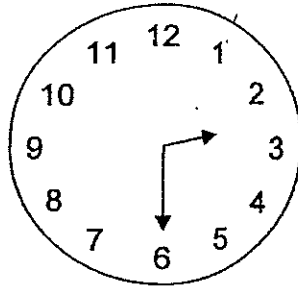
Ans: \_\_\_\_\_

- 29 In the figure shown, ABCD is a rectangle. Find  $\angle FBE$ .



Ans: \_\_\_\_\_

- 30** Jenny completed her homework in the afternoon at the time shown below. If she took 50 min to complete her work, at what time did she begin doing her work? Express your answer using the 24-hour clock.



Ans: \_\_\_\_\_

Study the table below carefully and answer questions 31 and 32.

The table below shows the incomplete information of the total amount and the number of coins collected by Ali and Raju.

Name of child	20-cent coins	50-cent coins	Total amount
Raju	21	23	?
Ali	15	?	\$ 17.50

- 31** How much money does Raju have?

Ans: \_\_\_\_\_

- 32** How many 50-cent coins did Ali have?

Ans: \_\_\_\_\_

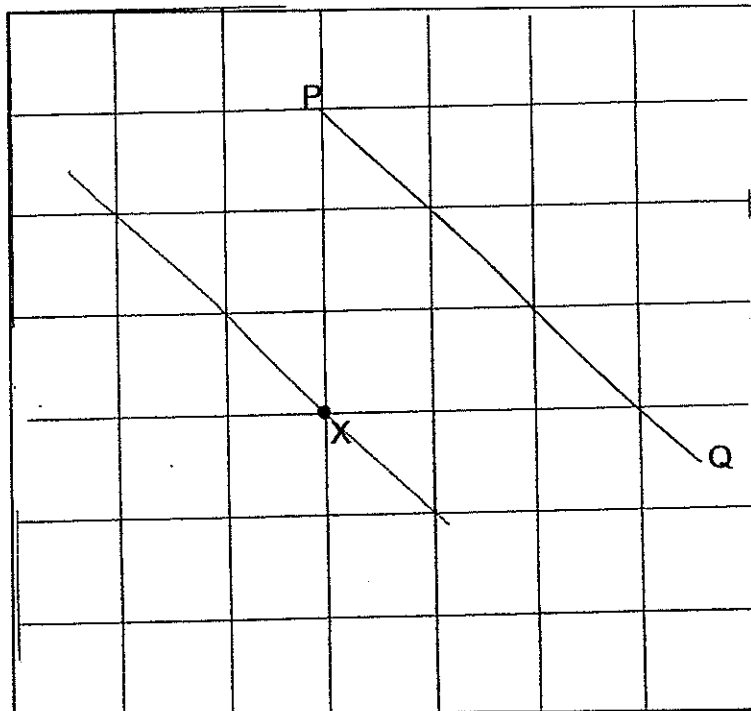
(Go on to the next page)

- 33 Beatrice took Flight SQ 757 from Singapore to Tokyo. Details of her flight are shown in the table below. When it is 08 00 in Singapore, it is 09 00 in Tokyo. What time was it in Tokyo when her plane landed? Express your answer using the 24-hour clock.

Flight Number	Destination	Time of departure from Singapore	Flight duration
SQ 757	Tokyo	08 00	7 h 05 min

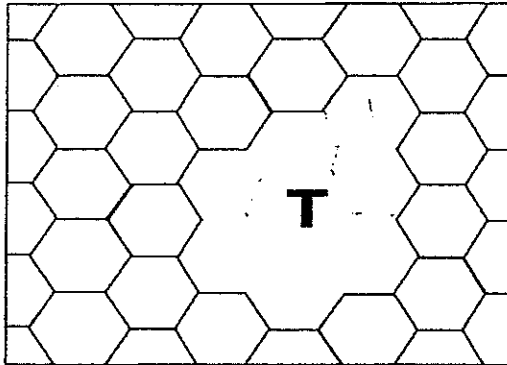
Ans: \_\_\_\_\_

- 34 Draw a line that is parallel to PQ passing through X.



(Go on to the next page)

- 35 The figure is made up of unit shapes. How many unit shapes must be drawn in the space "T" to complete the tessellation?

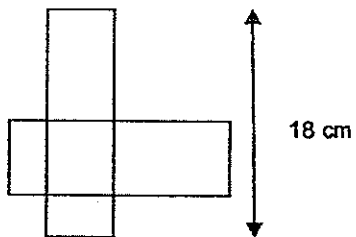


Ans: \_\_\_\_\_

- 36 Divide 128.5 by 4. Give your answer to the nearest hundredth.

Ans: \_\_\_\_\_

- 37 The figure above is made up of 2 identical rectangles of length 18 cm. Find the perimeter of the figure.



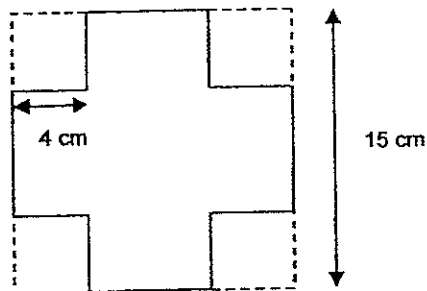
Ans: \_\_\_\_\_ cm

(Go on to the next page)

- 38 Peter was given a piece of cardboard measuring 29 cm by 18 cm. He wanted to cover the cardboard with square paper tiles of sides 2 cm each. What is the largest possible area of the cardboard that is covered by the square tiles? (Note : no square paper tile is to be cut)

Ans: \_\_\_\_\_ cm<sup>2</sup>

- 39 4 identical small squares of side 4 cm were cut from each corner of a piece of square paper of side 15 cm as shown below. Find the area of the remaining piece of paper as shown in the figure.



Ans: \_\_\_\_\_ cm<sup>2</sup>



# METHODIST GIRLS' SCHOOL (PRIMARY)

Founded in 1887



## END-OF-YEAR EXAMINATION 2014 PRIMARY 4 MATHEMATICS BOOKLET C

Total Time: 1 h 45 minutes

### INSTRUCTIONS TO CANDIDATES

Do not turn over this page until you are told to do so.

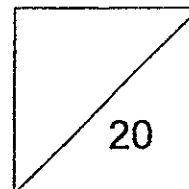
Follow all instructions carefully.

Answer all questions.

Name: \_\_\_\_\_ ( )

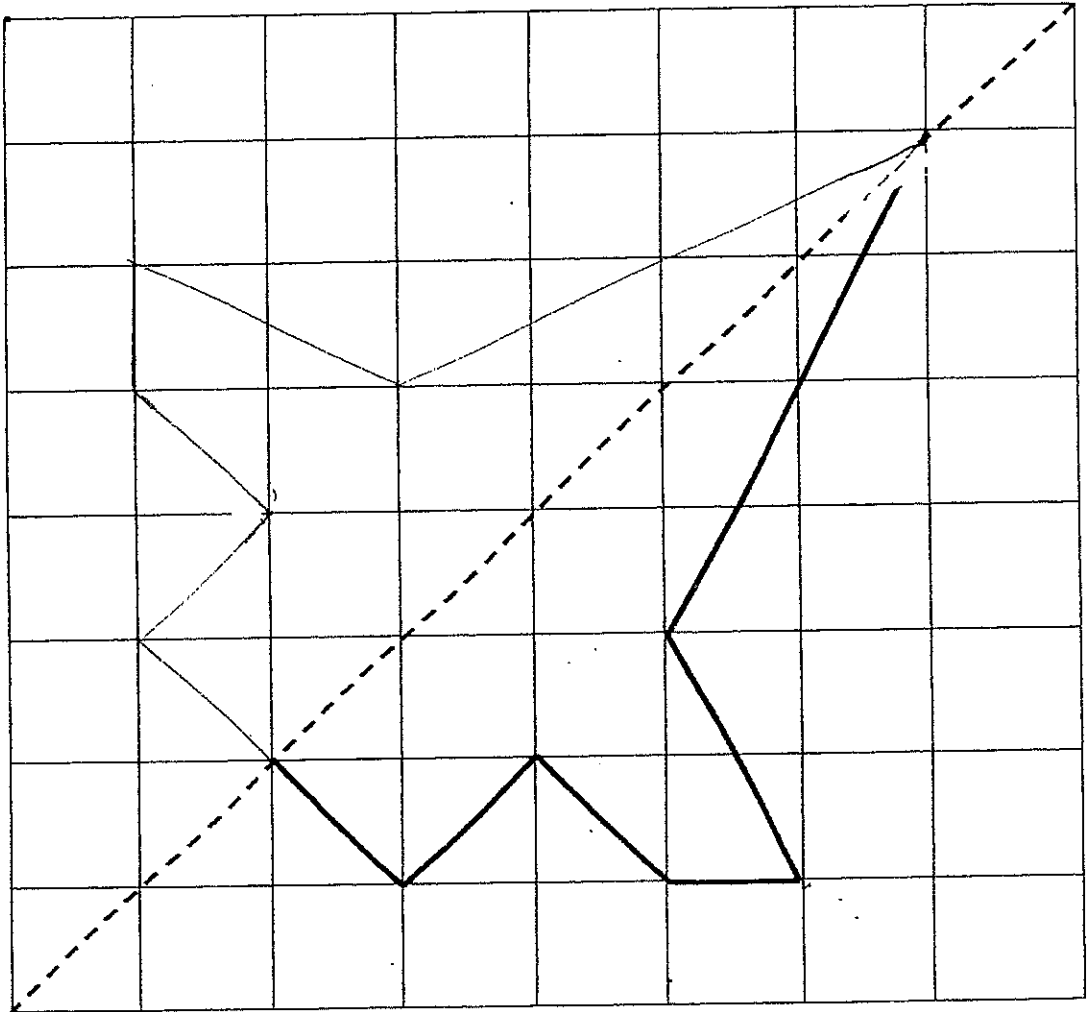
Class: Primary 4. \_\_\_\_\_

Date: 28 OCTOBER 2014



This booklet consists of 6 printed pages including this page.

- 40 Complete the following figure to form a symmetrical shape with the dotted line as the line of symmetry.



**Section C**

Questions 41 to 45 carry 4 marks each. Show your working clearly in the space provided for each question and write your answers in the space provided. The number of marks available is shown in brackets [ ] at the end of each question or part-question.

(20 marks)

---

- 41 Party hats were sold at \$4.85 for a pack of 5.  
Gopal paid a total of \$32.40 for 20 party hats and 2 birthday banners.
- How much did Gopal pay for the party hats?
  - What was the cost of 1 birthday banner?

Ans: (a) \_\_\_\_\_ [2m]

(b) \_\_\_\_\_ [2m]

(Go on to the next page)

- 42 Some sweets were shared equally among 20 pupils. 5 of the pupils decided to give all their sweets to the rest of the pupils. Each remaining pupil then received 10 more sweets.
- How many sweets did 5 of the pupils give away?
  - How many sweets did each pupil have at first?

Ans: (a) \_\_\_\_\_ [2m]

(b) \_\_\_\_\_ [2m]

(Go on to the next page)

- 43 Jack and Alison each had some beads. Alison had 72 beads more than Jack. After Jack and Alison gave away the same number of beads, Alison had four times as many beads left as Jack.  
How many beads do they have left altogether?

Ans: \_\_\_\_\_ [4m]

(Go on to the next page)

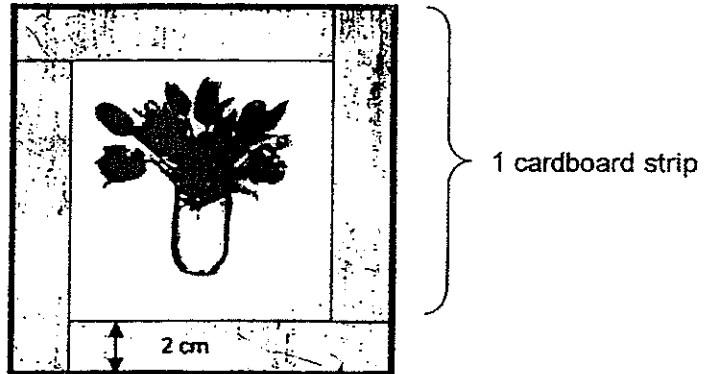
44 Mike receives a monthly salary.

Mike gives  $\frac{1}{4}$  of it to his mother. He spends  $\frac{1}{12}$  of it on transport,  $\frac{1}{3}$  of it on food and saves the rest. If Mike saves \$1750, how much is his monthly salary?

Ans: \_\_\_\_\_ [4m]

(Go on to the next page)

- 45 A square painting is framed by 4 identical cardboard strips. The width of each cardboard strip is 2 cm. The total area of the 4 cardboard strips is  $96 \text{ cm}^2$ .
- What is the area of one cardboard strip?
  - What is the perimeter of the painting without the frame?



Ans: (a) \_\_\_\_\_ [1m]

(b) \_\_\_\_\_ [3m]

End of Paper





**EXAM PAPER 2014**

**LEVEL : PRIMARY 4**

**SCHOOL : MGS**

**SUBJECT : MATHS**

**TERM : SA2**

**Section A:**

Q1	Q2	Q3	Q4	Q5	Q6	Q7	Q8	Q9	Q10
4	2	2	1	4	3	2	3	4	3
Q11	Q12	Q13	Q14	Q15	Q16	Q17	Q18	Q19	Q20
4	3	1	1	2	4	2	2	1	3

**Section B:**

Q21 10 750

Q22 6 and 14

Q23 1012

Q24  $\frac{57}{100}$

Q25  $\frac{4}{9}$  and  $\frac{3}{7}$

Q26 19

Q27 0.66

Q28  $41^\circ$

Q29  $24^\circ$

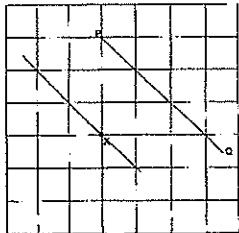
Q30 1340

Q31 \$15.70

Q32 29

Q33 1605

Q34



Q35 8

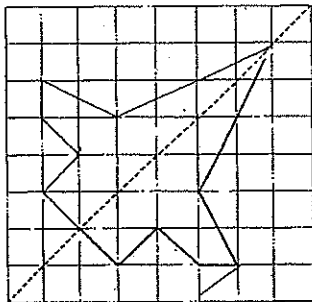
Q36 32.13

Q37 72cm

Q38  $504\text{cm}^2$

Q39  $161\text{cm}^2$

Q40



### Section C

Q41 (a) 4 packs  $\rightarrow \$4.85 \times 4$   
 $= \$19.40$

(b)  $\$32.40 - \$19.40 = \$13.00$   
 $\$13.00 \div 2 = \$6.50$

Q42 (a)  $20 - 5 = 15$   
 $15 \times 10 = 150$

(b)  $150 \div 5 = 30$

Q43 3 unit  $\rightarrow 72$   
1 unit  $\rightarrow 24$   
5 unit  $\rightarrow 120$

Q44  $\frac{1}{4} = \frac{3}{12}$   
 $\frac{1}{3} = \frac{4}{12}$   
 $\frac{12}{12} - \frac{3}{12} - \frac{1}{12} - \frac{4}{12}$   
 $= \frac{4}{12}$

4unit  $\rightarrow \$1750$   
1 unit  $\rightarrow \$437.50$   
12 unit  $\rightarrow \$437.50 \times 12$   
 $= \$5250$

Q45 (a) Area of 1 cardboard  $\rightarrow 96\text{cm}^2 \div 4$   
 $= 24\text{cm}^2$

(b) Length  $\rightarrow 24\text{cm}^2 \div 2\text{cm}$   
 $= 12\text{cm}$

$12\text{cm} - 2\text{cm} = 10\text{cm}$   
 $10\text{cm} \times 4 = 40\text{cm}$