

# Anglo-Chinese School (Junior)



## CONTINUAL ASSESSMENT 1 (2015) PRIMARY 4

### MATHEMATICS

Tuesday

25 August 2015

1 hour 15 min

#### INSTRUCTIONS TO PUPILS

DO NOT TURN OVER THE PAGES UNTIL YOU ARE TOLD TO DO SO

Follow all instructions carefully.

There are 21 questions in this booklet.

Answer ALL questions.

Name : \_\_\_\_\_ (      )

Class : 4.(      )

Parent's Signature: \_\_\_\_\_

Section	Possible Marks	Marks Obtained
A	20	
B	14	
C	16	
Total	50	

This question paper consists of 11 printed pages. (Inclusive of cover page)

## Section A

Questions 1 to 10 carry 2 marks each.

For each question, four options are given. One of them is the correct answer. Make your choice and writes its number (1, 2, 3 or 4) in the brackets provided.

(20 marks)

1.  $6\frac{3}{8} = \frac{\square}{8}$

What is the missing number in the box?

- 1) 17
- 2) 18
- 3) 48
- 4) 51

(      )

2. 15 45 on the 12-hour clock is \_\_\_\_\_.

- 1) 3.45 a.m.
- 2) 3.45 p.m.
- 3) 5.45 a.m.
- 4) 5.45 p.m.

(      )

3.  $2.015 = 2 + \frac{15}{\square}$

- 1) 1
- 2) 10
- 3) 100
- 4) 1000

(      )

4. In the number 35.19, the digit \_\_\_\_\_ is in the tenths place.

- 1) 1
- 2) 5
- 3) 3
- 4) 9

( )

5.  $381 \div 8 =$  \_\_\_\_\_  
Round off your answer to 2 decimal places.

- 1) 47.6
- 2) 47.62
- 3) 47.63
- 4) 47.625

( )

6. Bob has a mass of 19.8 kg. Chris is twice as heavy as Bob.  
What is Chris' mass?

- 1) 28.6 kg
- 2) 29.8 kg
- 3) 38.6 kg
- 4) 39.6 kg

( )

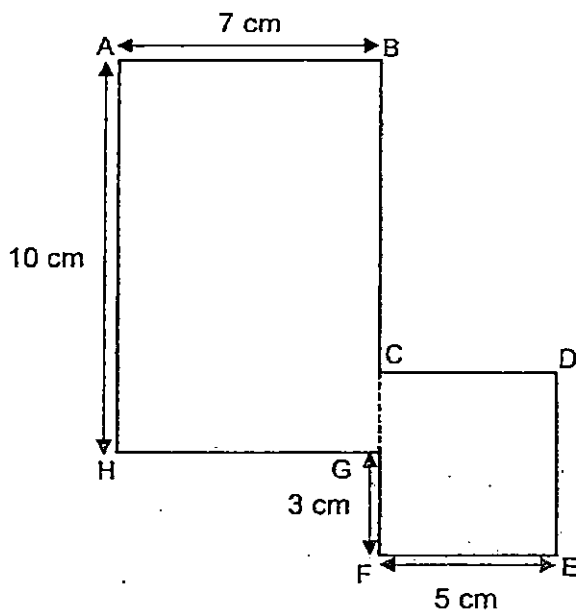
--

7. Alan is 1.58 m tall. Barry is 0.2 m taller than Alan. Charles is 0.32 m shorter than Barry. Find Charles' height.

- 1) 1.26 m
- 2) 1.46 m
- 3) 1.78 m
- 4) 1.90 m

( )

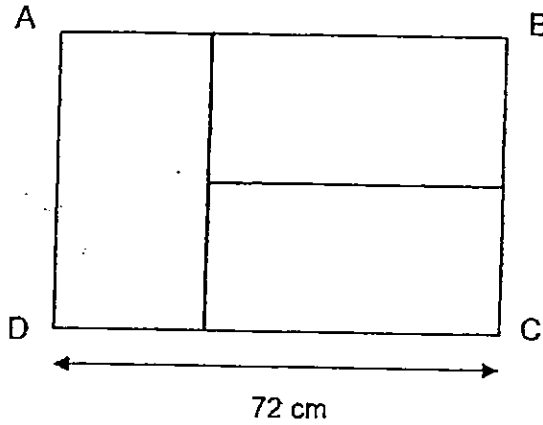
8. The figure below is made up of rectangle ABGH and square CDEF. What is the total length of BC and GF?



- 1) 8 cm
- 2) 11 cm
- 3) 13 cm
- 4) 15 cm

( )

9. The figure below is made up of 3 identical rectangles.  $CD = 72$  cm. Find the length of  $AD$ .



- 1) 18 cm
- 2) 24 cm
- 3) 36 cm
- 4) 48 cm

( )

10. Zach packed some sweets. If he packed all the sweets into packets of 4, there would be 3 sweets left over. If he packed all the sweets into packets of 5, there would be no sweets left over. Which of the following is a possible number of sweets that Zach had at first?

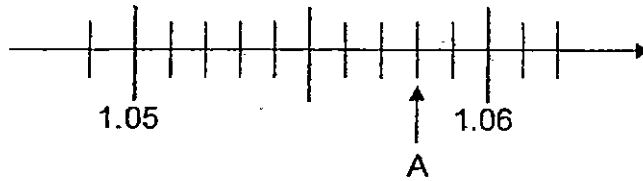
- 1) 12
- 2) 15
- 3) 16
- 4) 32

( )

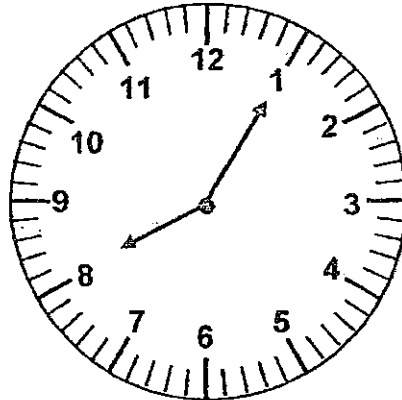
**Section B**

Questions 11 to 17 carry 2 marks each. Show your working clearly and write your answers in the boxes provided. For questions which require units, give your answers in the units stated. (14 marks)

11. Write the decimal represented by A.

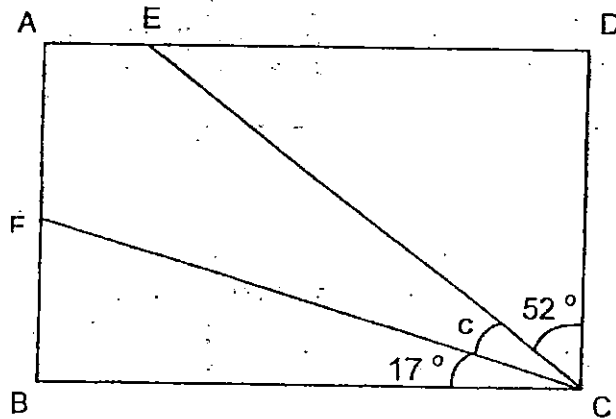


12. The clock below shows the time Bala started his lesson in the morning.



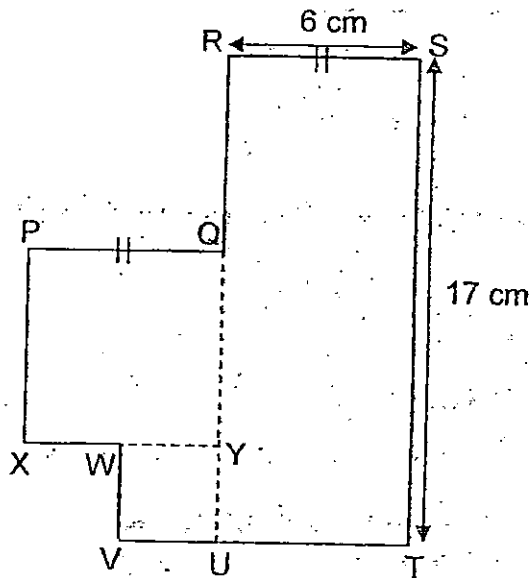
Bala's lesson was 2 h 10 min long. At what time did it end?  
Give your answer using the 12-hour clock.

13. ABCD is a rectangle. Find  $\angle c$ .



o

14. The figure is made up of rectangle RSTU and squares PQYX and WYUV. The length of PQ is equal to the length of RS. The length of PX is twice the length of UV. Find the length of QR.



cm


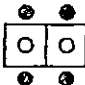
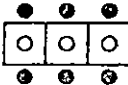
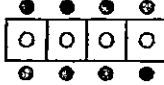
15. Wayne had \$32.40. After paying \$15.80 for a teddy bear, he had enough money to buy 4 similar photo frames. Given that the cost of each photo frame was the same, what was the cost of 1 photo frame?

\$

16. Jethro had some books. He gave  $\frac{2}{11}$  of the books to his brother and had 36 books left. How many books did Jethro have at first?



17. Look at the patterns shown below.

	Pattern 1	Pattern 2	Pattern 3	Pattern 4	...	Pattern 25
						?
White beads	1	2	3	4		
Black beads	2	4	6	8		
Total beads	3	6	9	12		

What is the total number of beads in Pattern 25?

### Section C

Questions 18 to 21 carry 4 marks each. For each question, show your working clearly as marks will be given for working and relevant statements.

(16 marks)

---

18. There was a total of 18 l of orange juice in 9 jugs. Three of the jugs contained a total of 2.82 l of orange juice. There was an equal amount of orange juice in each of the remaining jugs. How many litres of orange juice were there in each of the remaining jugs?

19. Box A is 4 times as heavy as Box B. Box C is 6.74 kg heavier than Box B. The total mass of Box A and B is 68 kg.

a) What is the mass of Box B?

b) What is the mass of Box C?

20. Bill bought a total of 11 sweets and chocolate bars. Each sweet cost 40¢. Each chocolate bar cost 60¢. He paid a total of \$5.60. How many chocolate bars did he buy?

21. There were some adults and children at a party.  $\frac{3}{8}$  of the people were adults.  $\frac{3}{4}$  of the children were boys and the rest were girls. There were 20 girls.

a) How many children were there?

b) How many more children than adults were at the party?

End of Paper



## EXAM PAPER 2015

LEVEL : PRIMARY 4

SCHOOL : ANGLO CHINESE SCHOOL (JUNIOR)

SUBJECT : MATHEMATICS

TERM : CA2

Q1	Q2	Q3	Q4	Q5	Q6	Q7	Q8	Q9	Q10
4	2	4	1	3	4	2	2	4	2

Q11. 1.058      Q12. 10.15am      Q13.  $21^\circ$       Q14. 8cm

Q15.  $\$4.15 \rightarrow 32.40 - 15.80 = 16.60, 16.20 \div 4 = 4.05$

Q16. 44 books  $\rightarrow 11 - 2 = 9, 36 \div 9 = 4, 4 \times 11 = 44$

Q17. 75 beads  $\rightarrow 3 \times 25 = 75$

Q18. 2.53litre  $\rightarrow 6u \rightarrow 18 - 2.82 = 5.18, 1u \rightarrow 5.18 \times 6 = 2.53$

Q19a. The mass of box B is 13.6kg  $68 \div 5 = 13.6$

Q19b.  $20.34 \rightarrow 13.6 + 6.74 = 20.34$

Q20. 6 chocolate bars

$$0.40 \times 11 = 4.40$$

$$5.60 - 4.40 = 1.20$$

$$0.60 - 0.40 = 0.20$$

$$1.20 \div 0.20 = 6$$

Q21a. 80 children  $\rightarrow \frac{1}{4} 20, 120 \times 4 = 80$

Q21b. 32 more children  $\rightarrow 1 - \frac{3}{8} = \frac{5}{8}, 80 \div 5 = 16, 16 \times 3 = 48, 80 - 48 = 32$