

**CATHOLIC HIGH SCHOOL
END-OF-YEAR EXAMINATION 2008
MATHEMATICS
PRIMARY 3**

Name : _____ ()

Class: Primary 3 _____

Date: 6 October 2008

Duration: 1 h 45 min

Section A	40
Section B	40
Section C	20
Total Marks	100

Parent's Signature: _____

There are 3 sections consisting of 16 pages in this paper.

Section A: Multiple-Choice Questions (MCQ) 20 x 2 marks

Section B: Open-Ended Questions 20 x 2 marks

Section C: Story Sums 5 x 4 marks

SECTION A: Multiple-Choice Questions (20 x 2 marks)

For each of the question from 1 to 20, four options are given. One of them is the correct answer. Make your choice (1, 2, 3 or 4). Shade the correct oval (1, 2, 3 or 4) on the Optical Answer Sheet (OAS).

1. How many tens are there in 2340?

- (1) 4
- (2) 34
- (3) 234
- (4) 2340

()

2. 3560 is 950 more than _____

- (1) 2600
- (2) 2610
- (3) 4500
- (4) 4510

()

3. 9 thousands + 60 tens + 23 ones = _____

- (1) 9083
- (2) 9623
- (3) 90623
- (4) 96023

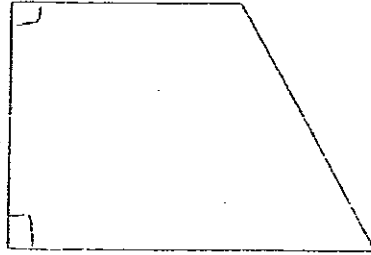
()

4. Express 195 minutes in hours and minutes.

- (1) 0 h 95 min
- (2) 1 h 95 min
- (3) 3 h 05 min
- (4) 3 h 15 min

()

5.



How many right angles can you find in the figure shown above?

- (1) 1
- (2) 2
- (3) 3
- (4) 4

()

6. The sum of 2 numbers is 1800. The first number is 1232. What is the difference between the 2 numbers?

- (1) 568
- (2) 664
- (3) 2368
- (4) 3032

()

7. A baker baked some tarts. After selling 286 tarts, there were 50 tarts left. How many tarts were there at first?

- (1) 50
- (2) 236
- (3) 286
- (4) 336

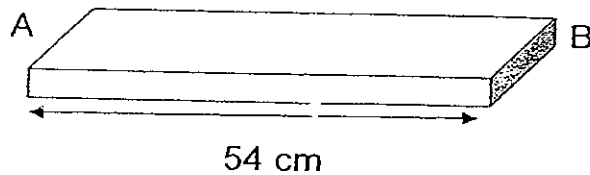
()

8. Sara bought a carton of orange juice that costs \$3.40
She also bought a bottle of chilli sauce that costs \$1.70
How much does she need to pay in all?

- (1) \$1.70
- (2) \$3.40
- (3) \$5.00
- (4) \$5.10

()

9. The length of the wooden plank AB is 54 cm.
John wants to make cuts on the wooden plank at 9-cm intervals.
How many cuts can he make from A to B?



- (1) 4
- (2) 5
- (3) 6
- (4) 7

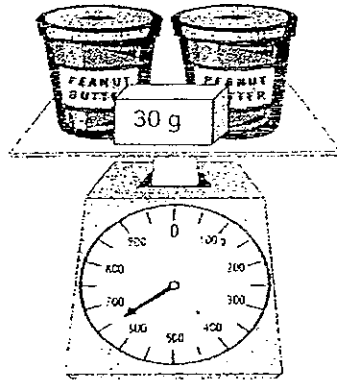
()

10. Sam, Michael and Peter shared a pizza. Sam ate $\frac{1}{2}$ of the pizza and
Michael ate $\frac{1}{2}$ of what was left. Peter ate the remaining 4 slices.
How many slices of pizza were there at first?

- (1) 16
- (2) 12
- (3) 8
- (4) 4

()

11. Look at the picture below.

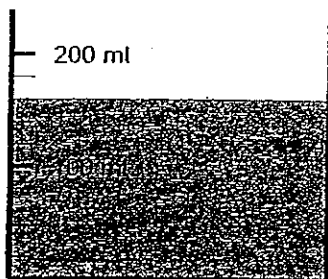


The diagram shows 2 similar jars of peanut butter and a piece of margarine on a weighing scale. Given that the margarine weighs 30 g, find the mass of 1 jar of peanut butter.

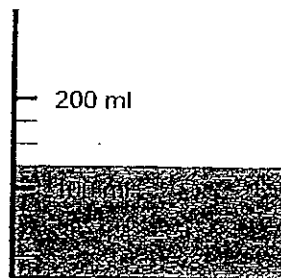
- (1) 300 g
- (2) 310 g
- (3) 320 g
- (4) 620 g

()

12.



Beaker A



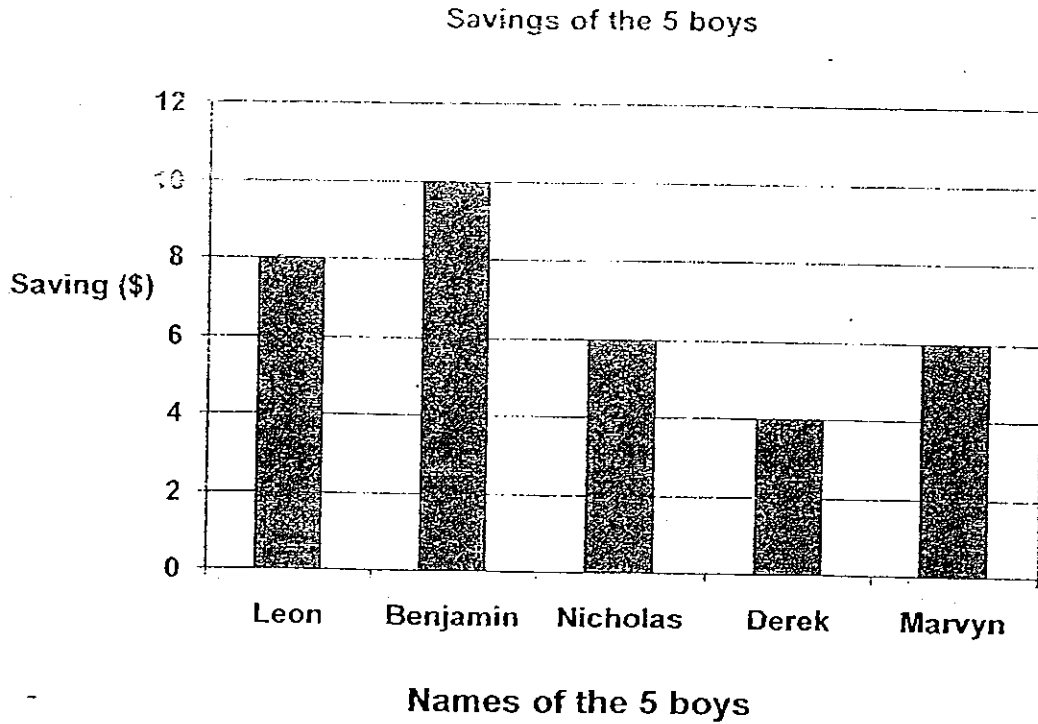
Beaker B

Beaker A and B contains different amount of water. How much more water is there in Beaker A than Beaker B?

- (1) 35 ml
- (2) 125 ml
- (3) 160 ml
- (4) 285 ml

()

The graph below shows the monthly savings of 5 boys. Use it to answer questions 13 and 14.



13. How much did the 5 boys save in all?

- (1) \$31
- (2) \$32
- (3) \$33
- (4) \$34

()

14. Benjamin and Nicholas saved _____ more than Derek.

- (1) \$2
- (2) \$6
- (3) \$12
- (4) \$20

()

15. The perimeter of a book is 68 cm. Its breadth is 13 cm.
Find its length.

- (1) 21 cm
- (2) 42 cm
- (3) 55 cm
- (4) 81 cm

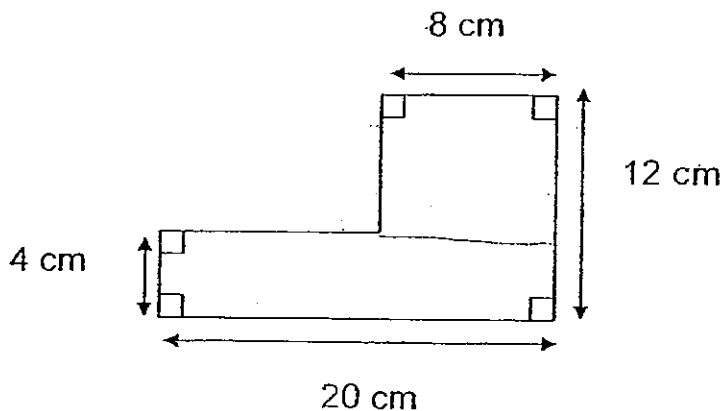
()

16. There are 160 chairs in a school hall.
They are arranged into equal rows.
If there are 8 chairs in a row, how many rows of chairs are there?

- (1) 20
- (2) 152
- (3) 168
- (4) 1280

()

17. Find the area of the figure below.



- (1) 80 cm^2
- (2) 96 cm^2
- (3) 144 cm^2
- (4) 240 cm^2

()

18. Arrange the following fractions in order. Begin with the greatest.

$$\frac{1}{4}$$

$$\frac{1}{2}$$

$$\frac{1}{3}$$

(1) $\frac{1}{2}$, $\frac{1}{4}$, $\frac{1}{3}$

(2) $\frac{1}{3}$, $\frac{1}{2}$, $\frac{1}{4}$

(3) $\frac{1}{4}$, $\frac{1}{3}$, $\frac{1}{2}$

(4) $\frac{1}{2}$, $\frac{1}{3}$, $\frac{1}{4}$

()

19. Julian arrived at a shopping centre at 2.30 p.m.
He shopped for 3 hours 40 minutes. What time did he leave the shopping centre?

(1) 10.50 a.m.

(2) 11.20 a.m.

(3) 5.40 p.m.

(4) 6.10 p.m.

()

20. I am a 4 digit number.
The digit in my thousands place is twice the digit in my ones place.
The digit in my hundreds place is 2 more than the digit in my tens place.
What number am I?

(1) 2351

(2) 3316

(3) 4532

(4) 6243

()

Please turn over to the next page.

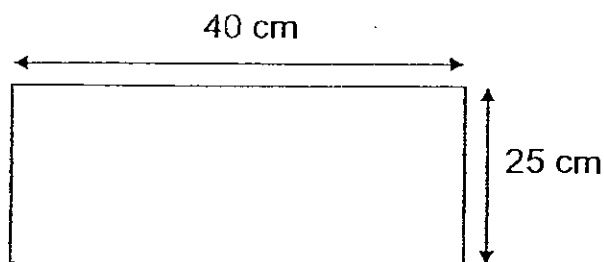
SECTION B: Open-ended Questions (20 x 2 marks)

Show your working clearly in the space provided and write the correct answers in the answer boxes provided.

21. $\$58.90 + \$13.65 =$ _____

\$

22.



What is the perimeter of the rectangle shown above?

cm

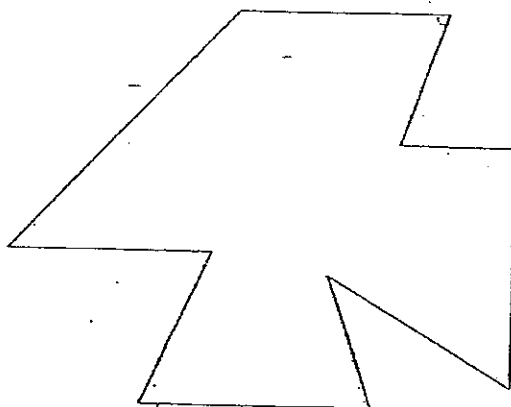
23. Tank A has the capacity of 850 ml. Tank B has the capacity 230 ml less than that of Tank A. Find the total capacity of Tank A and B.

ml

24. John has 24 sweets more than Mary. How many sweets must John give Mary so that Mary will have 12 sweets more than John?

em
Sweets

25. How many angles are smaller than a right angle in the figure below?



26. Arrange the fractions in order, beginning with the smallest.

$$\frac{3}{4}, \frac{1}{2}, \frac{5}{8}$$

27.

$$\begin{array}{r} AD \\ AD \\ + AD \\ \hline 25A \\ \hline \end{array}$$

A and D represents a different number each. What number does each letter represent?

A :	_____
D :	_____

28. The total mass of 6 school bags is 126 kg. What is the mass of 2 such school bags?

_____ kg

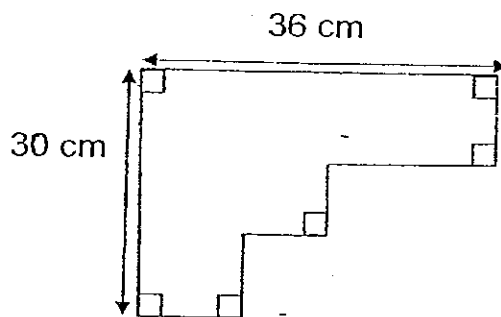
29. When a number is divided by 5, it gives a quotient of 46 and a remainder of 1. What is the number?

30. There are 3062 athletes at an Olympic game. There are 1452 fewer male athletes than female athletes. How many female athletes are there?

31. I have 7 fifty-cent coins, 2 twenty-cent coins and 9 ten-cent coins. What is the total amount of money I have?

\$

32. The figure below is not drawn to scale. Find the perimeter of the figure.



cm

33. Study the pattern carefully. Draw the diagram for Figure 20.



Figure 1

Figure 2

Figure 3

Figure 4

Figure 5

Figure 20

Figure 20 →

34. . Teresa had 965 cm of cloth. She used 441 cm to make a skirt and 325 cm to make a blouse. How much cloth had she left?

cm

35. 5 similar watches weigh 350 g more than 2 similar calculators. If each watch weighs 150 g, how heavy is each calculator?

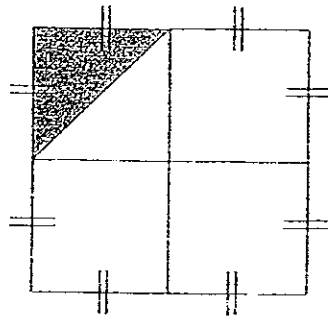
g

36. When I open a book, the product of the page numbers facing me is 210. What are the two page numbers?

and

37. Joe, Ken and Roy share a cake. Joe and Ken ate $\frac{1}{2}$ of the cake.
Ken and Roy ate $\frac{5}{6}$ of the cake. What fraction of the cake did Roy eat more than Joe?

38.



The figure is made up of 4 squares. What fraction of the figure is shaded?

39. There were 10 lamp posts of equal distance along a road. The distance between the first and the third lamppost was 18 m. What was the distance between the first and the 10th lamp post?

 m

40. What is the sum of $\frac{5}{12}$ and $\frac{1}{3}$?

☺ Please turn over to the next page ☺

SECTION C: Story Sums (5 x 4 marks)

Solve the following story sums. All workings must be shown clearly.
Draw models if necessary.

41. Gabriel, Silas and Jason had \$990 altogether.
Gabriel had twice as much money as Silas.
Silas had thrice as much money as Jason.
How much money did Silas have?

Ans : _____ [4m]

42. The total height of three brothers, John, Dylan and Samuel is 455 cm. John is 35 cm shorter than Dylan while Dylan is 25 cm shorter than Samuel. Find Samuel's height.
Express your answer in metres and centimetres.

Ans : _____ [4m]

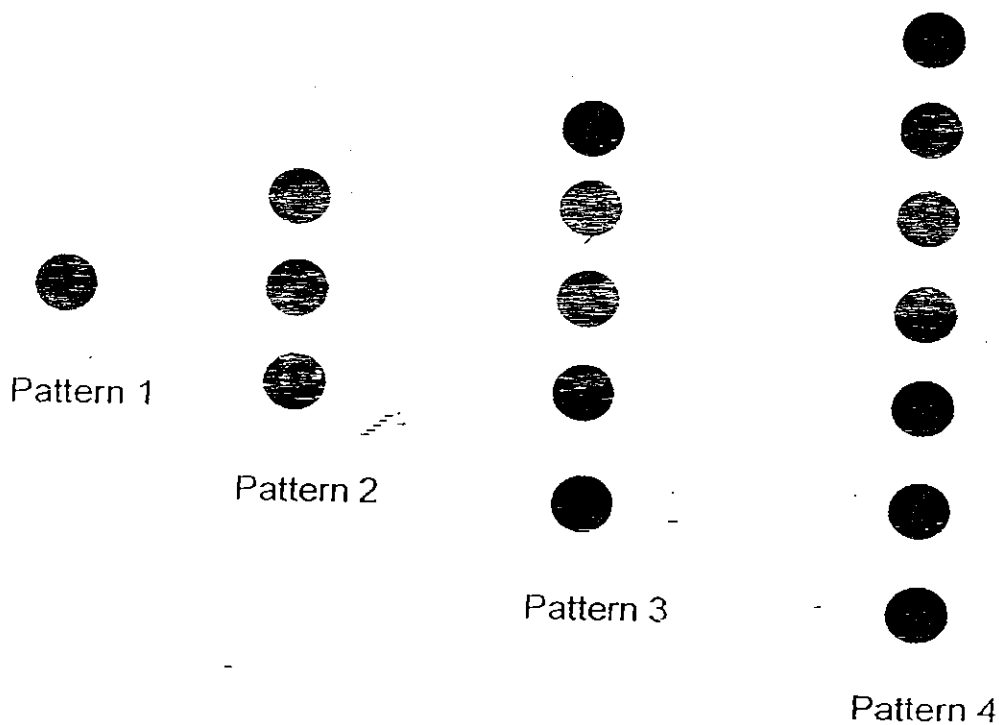
43. A container with 10 balls weighs 340 g. The same container with 15 balls weighs 440 g. Find the mass of the container when it is empty.

Ans : _____ [4m]

44. Karen sat for a quiz consisting of 20 questions. If she answered the question correctly, she would score 5 points. If she answered the question wrongly, 3 points would be deducted. Given that she answered all the questions and scored a total of 76 points, how many questions did she answer wrongly?

Ans : _____ [4m]

45. A series of patterns is formed using counters as shown below. The first 4 patterns have been done for you.



- a) Complete the table below.
Find the number of counters for Pattern 5 and 6.

Pattern Number	Number of black counters
1	1
2	3
3	5
4	7
5	
6	

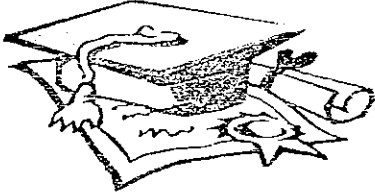
[2m]

- b) How many counters will be needed to form Pattern 20?

Ans : _____ [2m]

END OF PAPER

☺ Please check your working and answers. ☺



ANSWER SHEET

EXAM PAPER 2008

SCHOOL : CATHOLIC HIGH PRIMARY SCHOOL
 SUBJECT : PRIMARY 3 MATHEMATICS

TERM : SA 2

Q1	Q2	Q3	Q4	Q5	Q6	Q7	Q8	Q9	Q10	Q11	Q12	Q13	Q14	Q15	Q16	Q17
3	2	2	4	2	2	4	4	2	1	2	1	4	3	1	1	3

Q18	Q19	Q20
4	4	3

21) \$72.55

22) 130

23) 1470

24) 18

25) 5

26) $\frac{1}{2}, \frac{5}{8}, \frac{3}{4}$

27) A=8, D=6

28) 42

29) 231

30) 2257

31) \$4.80

32) 132

33) 

34) 199

35) 200

36) 14 and 15

37) $\frac{1}{3}$

38) $\frac{1}{8}$

39) 81

40) $\frac{3}{4}$

41) G

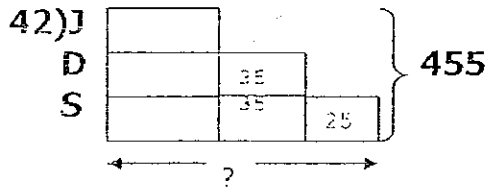
S

J

\$990

$\$990 \div 10 = \99

$\$99 \times 3 = \297



$$455 - 35 - 35 - 25 = 360$$

$$360 \div 3 = 120$$

$$120 + 35 + 25 = 180\text{cm}$$

$$= 1\text{m}80\text{cm}$$

43) 5 balls = $440 - 340 = 100\text{g}$

10 balls = $100 \times 2 = 200\text{g}$

Empty container = $340 - 200 = 140\text{g}$

44) $20 \times 5 = 100$

$$100 - 76 = 24$$

$$5 + 3 = 8$$

$$24 \div 8 = 3$$

45)a) 9, 11

b) $20 \times 2 = 40$

$$40 - 1 = 39$$