

TAO NAN SCHOOL

PRIMARY 1 MATHEMATICS END-OF-YEAR EXAMINATION - 2004

Name: _____ () Date: 3 November 2004

Class: Pri. 1()

Time: 1.25 p.m. - 2.55 p.m.

Parent's Signature: _____ Marks: /70

Section A

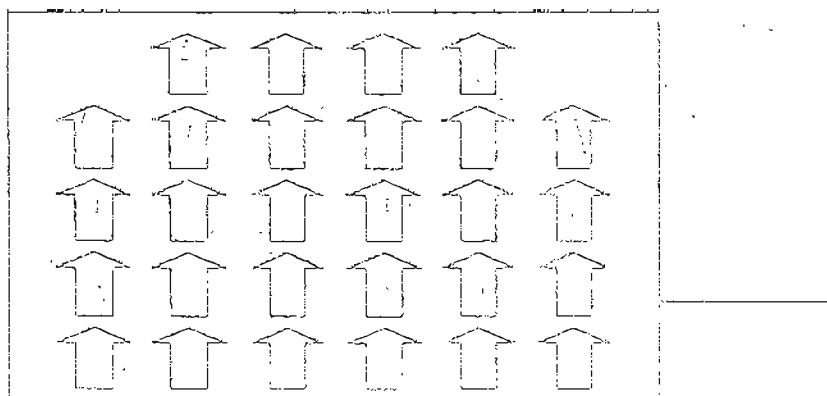
Write the following numbers in words. (3 x 1 mark)

1. 8 _____

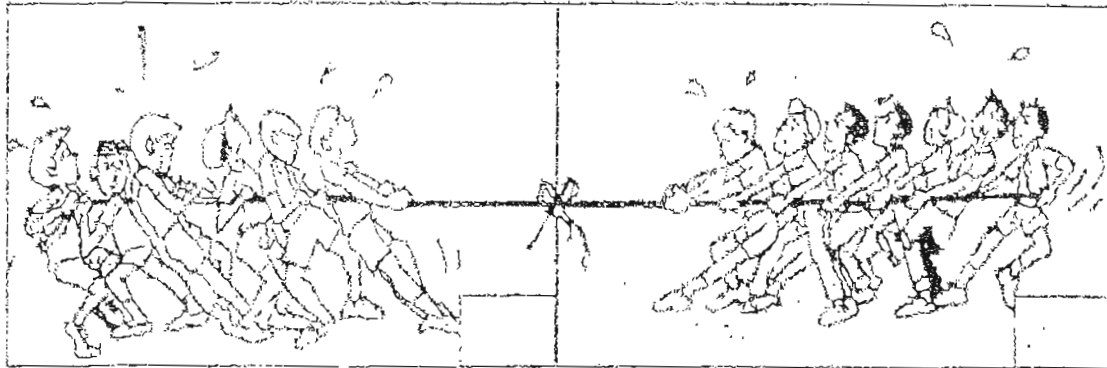
2. 44 _____

3. 90 _____

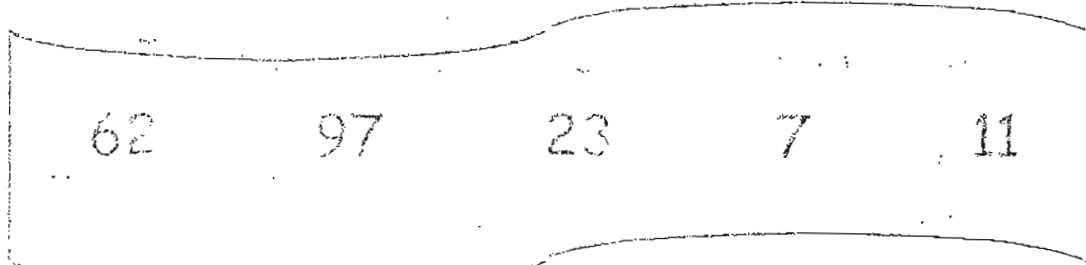
4. Count and write the correct number in the box.
(1 x 1 mark)



5. Put a tick in the box that has more boys.
(1 x 1 mark).



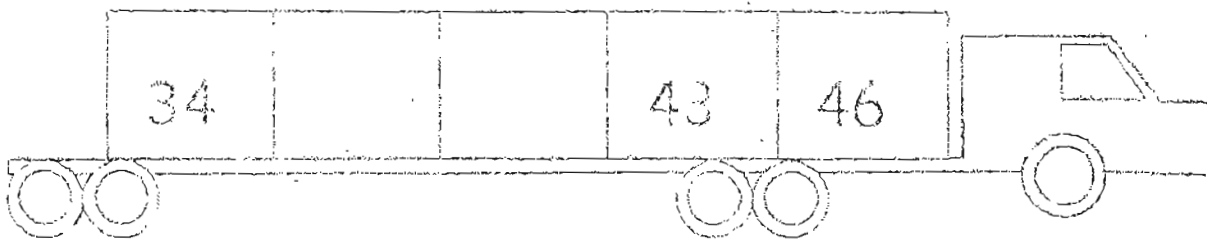
6. Arrange the numbers in order. (1 x 1 mark)



--	--	--	--	--

Smallest

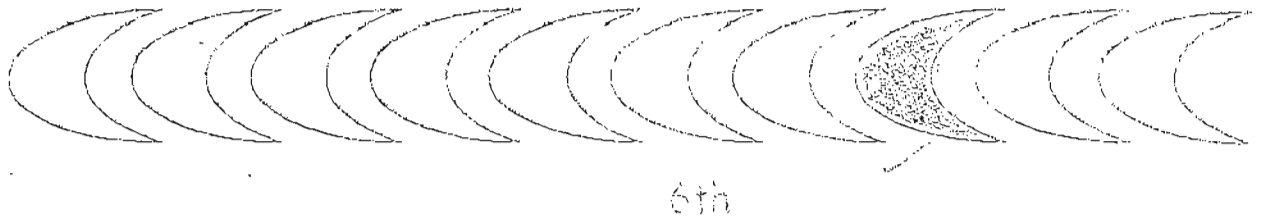
7. Complete the number patterns. (2 x 1 mark)



- 8.

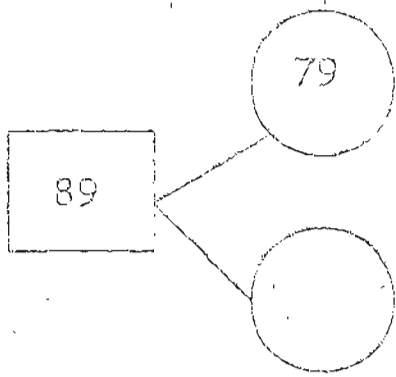


9. Colour the 8th moon. (1 x 1 mark)

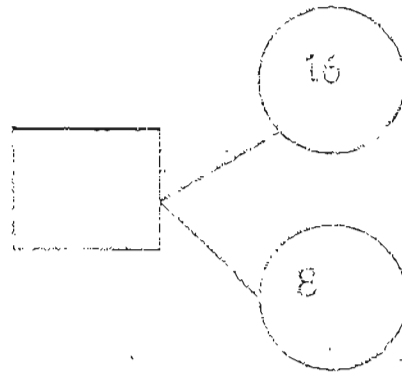


Complete the number bonds. (2 x 1 mark)

10.



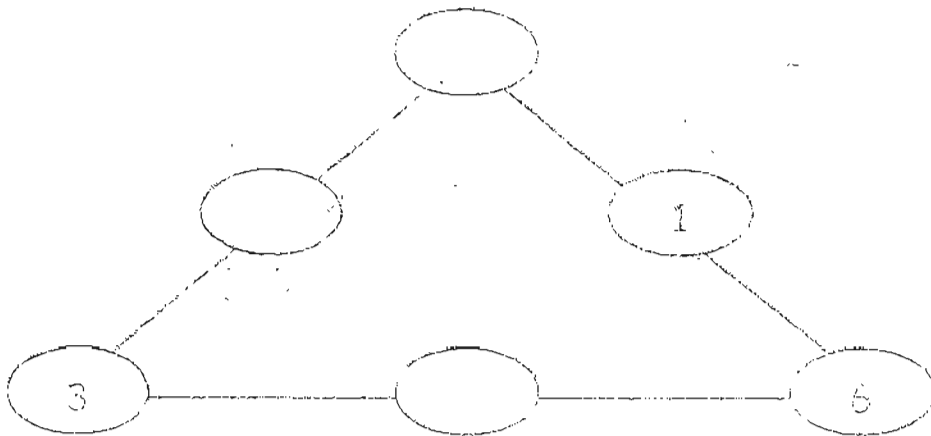
11.



12. Fill in the ovals with 4, 6 and 8.

Each row  must add up to 15.

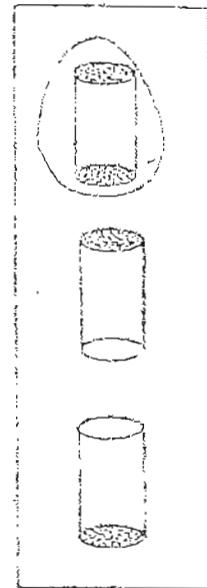
Use each number only once. (1 x 2 marks)



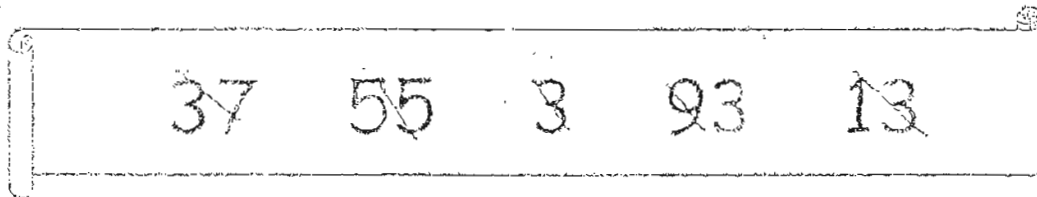
13. Look at the pattern carefully. Then circle the correct answer in the box (3 x 2 marks)



?



Fill in the blanks with the numbers given. (4 x 1 mark)



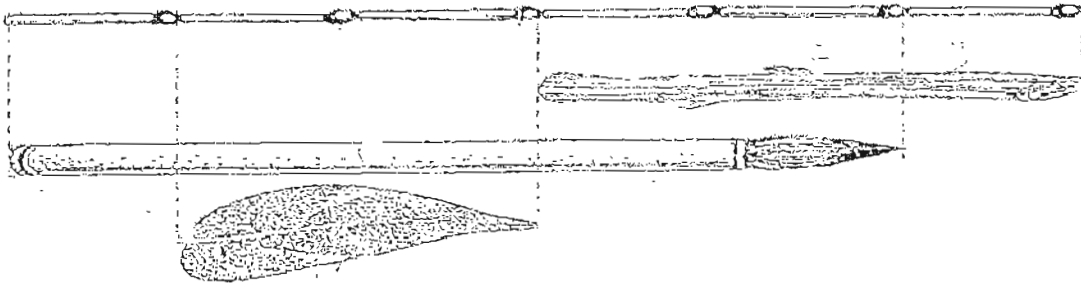
14. The smallest number is _____

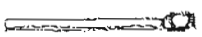
15. The greatest number is _____

16. 55 is smaller than _____

17. _____ is greater than 13 but smaller than 55.

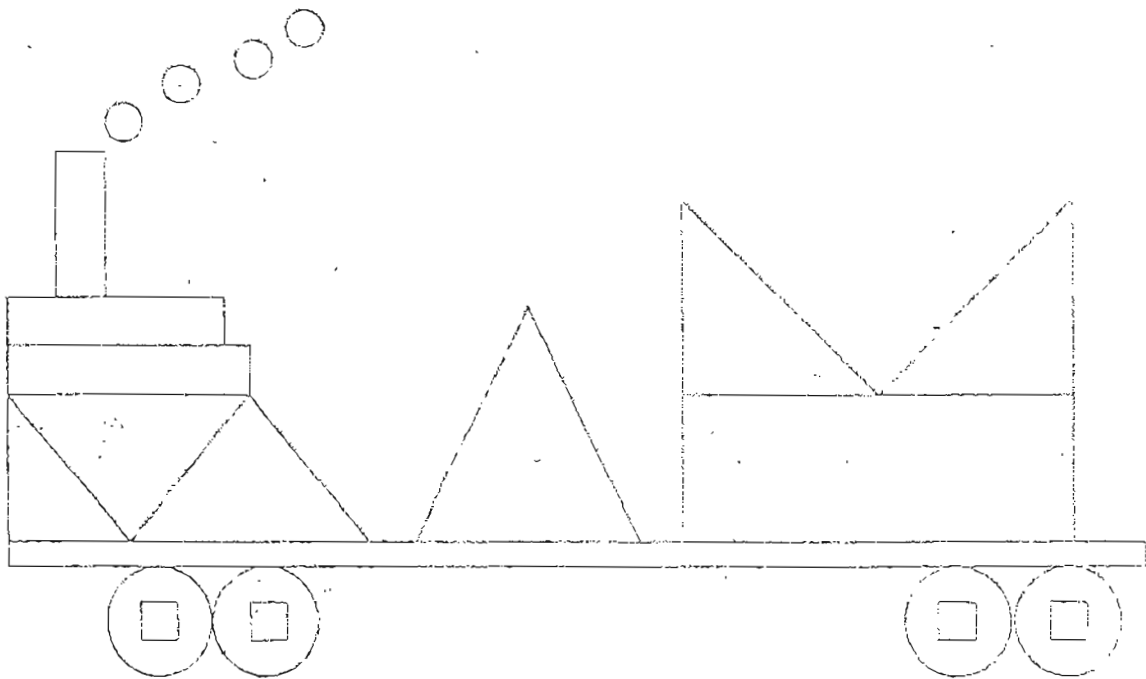
Jane uses some matchsticks to measure the length of a stick, a brush and a leaf. (2 x 1 mark)



Each  stands for 1 unit.

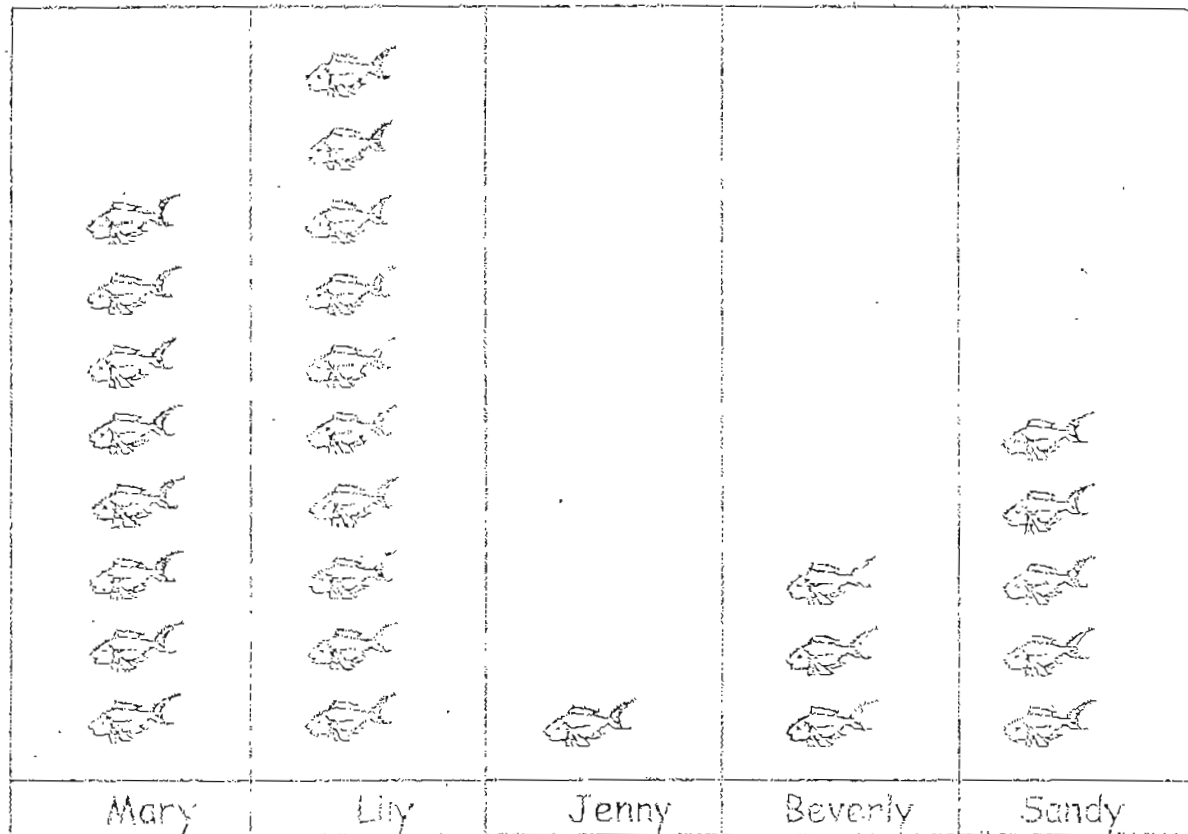
18. The stick is _____ units long.
19. The leaf is _____ units shorter than the brush.


Look at the picture below. Then fill in the blanks. (2 x 1 mark)



20. There are _____ rectangles.
21. There are _____ more circles than triangles.

The picture graph below shows the number of fish caught by 5 girls. Fill in the blanks with the correct answers. (2 x 1 mark)



Each  stands for 1 unit.

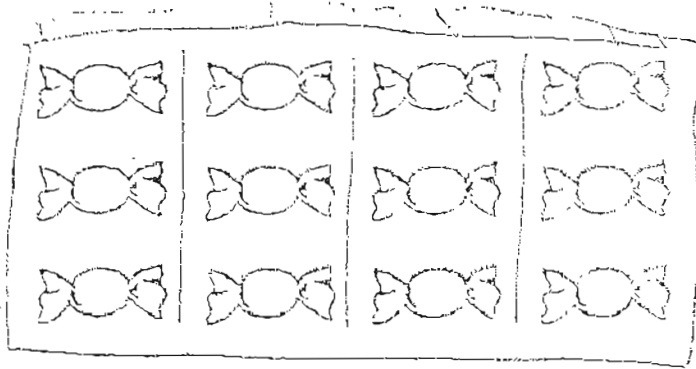
22. Beverly caught more fish than _____

23. The total number of fish caught by Mary, Jenny and

Sandy is _____ more than the total

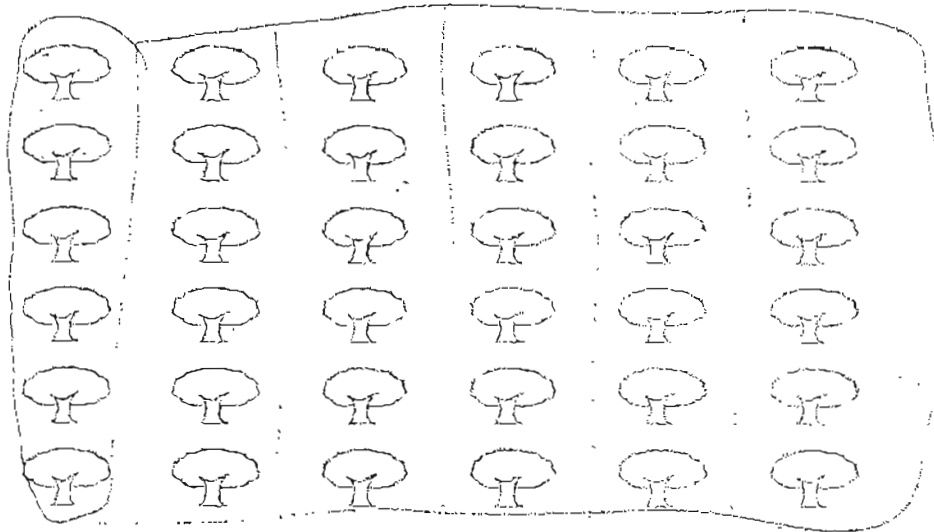
number of fish caught by Lily and Beverly.

24. Share 12 sweets equally among 4 children.
(1 x 1 mark)



Each child receives _____ sweets.

25. Ring the trees to show groups of 6. (1 x 2 marks)




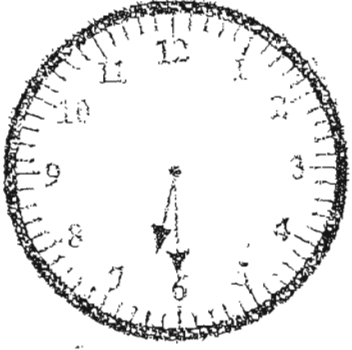
There are _____ groups.

Match the sums that give the same answer.
 There are only 3 correct pairs. (3 x 2 marks)

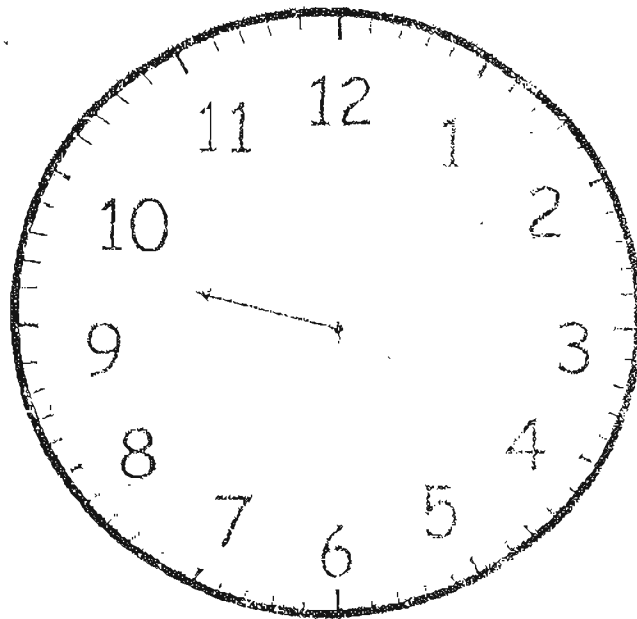
- | | | |
|-----|--------------|---------------------|
| 26. | 4×4 | 2 eights |
| | | $7 + 7 + 7$ |
| 27. | 21 | 16 ones |
| | | 78 |
| 28. | $58 + 20$ | $4 + 4 + 4$ |

Write the correct time shown on each clock using half past or o'clock. (4 x 1 mark)

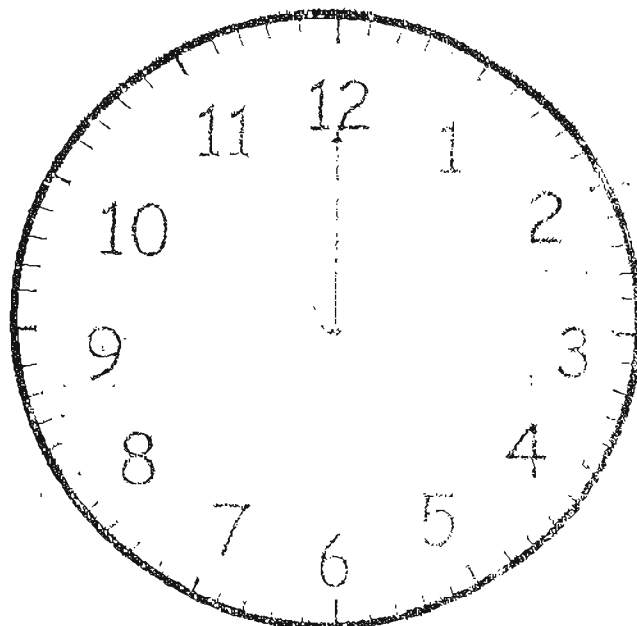
29. 

30. 

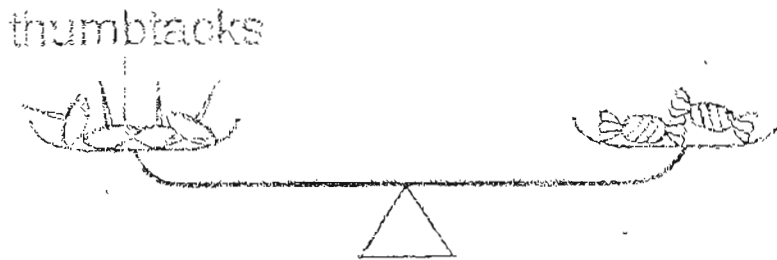
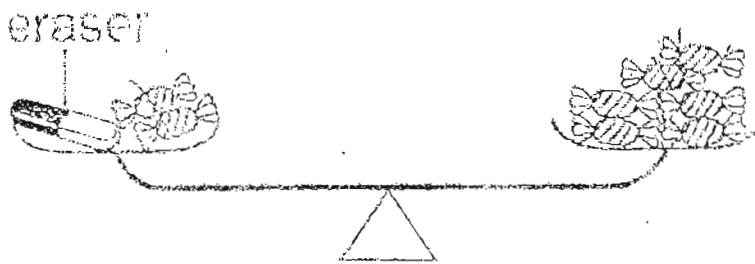
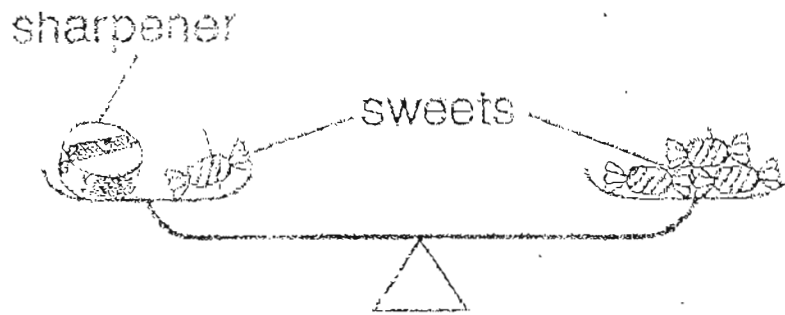
31. Draw the minute hand to show half past nine.




32. Draw the hour hand to show eleven o'clock.



Study the picture and fill in the blanks. (2 x 2 marks)









Each  stands for 1 unit.

33. The mass of the thumbtacks is _____ units.

34. The total mass of the sharpener and the eraser is

_____ units.

35. Complete the table. (3 x 1 marks)

You had	You bought	Amount of money left
<p>\$1</p>	<div style="display: flex; justify-content: space-around; align-items: center;"> <div style="text-align: center;">  30¢ </div> <div style="text-align: center;">  15¢ </div> </div>	<p>_____ ¢</p>
<p>\$5</p>	<div style="display: flex; justify-content: space-around; align-items: center;"> <div style="text-align: center;">  \$ 2 </div> <div style="text-align: center;">  \$ _____ </div> </div>	<p>\$1</p>
<p>\$ _____</p>	<div style="display: flex; justify-content: space-around; align-items: center;"> <div style="text-align: center;">  \$ 35 </div> <div style="text-align: center;">  \$ 18 </div> </div>	<p>\$7</p>

Fill in the blanks. (10 x 1 mark)

1	2	3	4	5	6	7	8	9	10
11	12	13	14	15	16	17	18	19	20
21	22	23	24	25	26	27	28	29	30
31	32	33	34	35	36	37	38	39	40
41	42	43	44	45	46	47	48	49	50
51	52	53	54	55	56	57	58	59	60
61	62	63	64	65	66	67	68	69	70
71	72	73	74	75	76	77	78	79	80
81	82	83	84	85	86	87	88	89	90
91	92	93	94	95	96	97	98	99	100

36. $38 - 3 =$ _____

37. $78 + 5 =$ _____

38. $24 + 12 + 10 =$ _____

39. _____ $- 23 = 50$

40. $19 +$ _____ $= 39$

41. $57 -$ _____ $= 44$

42. 76 is 20 less than _____.

43. _____ is 8 more than 25.

44. $62 - 7 = 5$ tens _____ ones.

45. $5 + 5 + 5 + 5 + 5 + 5 =$ _____ tens 10 ones

Section B

Read the story sums carefully. Write down the number sentences and answers. (5 x 3 marks)

46. Kumar has 27 stickers. Gurmit has 12 stickers. How many stickers do they have altogether?

They have _____ stickers altogether.

47. Mrs Lee had 95 cans of carrot juice. In the afternoon, there were 25 cans left. How many cans were sold?

She sold _____ cans of carrot juice.

48. Mrs Goh needs 60 stalks of roses for her party. She has 25 stalks. How many more stalks of roses does she need?

She needs _____ more stalks of roses.

49. Jack buys a pencil for 15 ¢ and 2 sweets for 75 ¢. How much does he spend?

He spends _____.

50. Mrs Tan puts 4 apples in 1 bag. There are 5 bags of apples altogether. How many apples does she have in all?



She has _____ apples in all

END OF PAPER

TAONAN SCHOOL
 PRIMARY 1 MATHEMATICS
 END OF THE YEAR EXAMINATION 2004

SAT

1) eight

2) forty-four

3) ninety


4) 28

5)

6) 97 62 23 11 7

7) 37 40

8) 71 65

9) 


10) 10

11) 24

12) 8

4

6

13) 



14) 3

15) 93

16) 93

17) 37

18) 3

19) 3

20) 5

21) 2

22) Jenny

23) 1

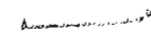
24) 3

49) $15 \text{ ¢} + 75 \text{ ¢} = 90 \text{ ¢}$

25) 6


26) 

27) 

28) 

29) 2 o'clock

30) half past 6

31) 

32) 

33) 2

34) 6

35) 65 ¢

\$ 2

\$ 60

36) 35

37) 83

38) 46

39) 73

40) 20

41) 13

42) 96

43) 33

44) 5

45) 2

46) $27 + 12 = 39$ stickers

47) $95 - 25 = 70$ cans of carrot juice

48) $60 - 25 = 35$

35 more stalks of roses

50)